

1452993-1 ✓ ACTIVE

MCON Interconnection System

TE Internal #: 1452993-1

Automotive Connector Caps & Covers, Cover Assembly, Black, PBT GF, 36 Position, MCON Interconnection System

[View on TE.com >](#)



Connectors > Automotive Connectors > Automotive Connector Accessories > Automotive Connector Caps & Covers



Protection & Strain Relief Accessory Type: **Cover Assembly**

Strain Relief: **With**

Primary Product Color: **Black**

Primary Product Material: **PBT GF**

Number of Positions: **36**

Features

Product Type Features

| | |
|---|----------------|
| Protection & Strain Relief Accessory Type | Cover Assembly |
|---|----------------|

Configuration Features

| | |
|---------------------|----|
| Number of Positions | 36 |
|---------------------|----|

Body Features

| | |
|--------------------------|--------|
| Primary Product Color | Black |
| Primary Product Material | PBT GF |

Mechanical Attachment

| | |
|---------------|------|
| Strain Relief | With |
|---------------|------|

Packaging Features

| | |
|--------------------|-----|
| Packaging Quantity | 135 |
| Packaging Method | Box |

Other

| | |
|-------------|----|
| Serviceable | No |
|-------------|----|



Product Compliance

[For compliance documentation, visit the product page on TE.com>](#)

| | |
|---|---|
| EU RoHS Directive 2011/65/EU | Compliant |
| EU ELV Directive 2000/53/EC | Compliant |
| China RoHS 2 Directive MIIT Order No 32, 2016 | No Restricted Materials Above Threshold |
| EU REACH Regulation (EC) No. 1907/2006 | Current ECHA Candidate List: JUNE 2023 (235) Candidate List Declared Against: JUNE 2023 (235) Does not contain REACH SVHC |
| Halogen Content | BFR/CFR/PVC Free, but Br/Cl >900 ppm in other sources. |
| Solder Process Capability | Not applicable for solder process capability |

Product Compliance Disclaimer

This information is provided based on reasonable inquiry of our suppliers and represents our current actual knowledge based on the information they provided. This information is subject to change. The part numbers that TE has identified as EU RoHS compliant have a maximum concentration of 0.1% by weight in homogenous materials for lead, hexavalent chromium, mercury, PBB, PBDE, DBP, BBP, DEHP, DIBP, and 0.01% for cadmium, or qualify for an exemption to these limits as defined in the Annexes of Directive 2011/65/EU (RoHS2). Finished electrical and electronic equipment products will be CE marked as required by Directive 2011/65/EU. Components may not be CE marked. Additionally, the part numbers that TE has identified as EU ELV compliant have a maximum concentration of 0.1% by weight in homogenous materials for lead, hexavalent chromium, and mercury, and 0.01% for cadmium, or qualify for an exemption to these limits as defined in the Annexes of Directive 2000/53/EC (ELV). Regarding the REACH Regulation, the information TE provides on SVHC in articles for this part number is based on the latest European Chemicals Agency (ECHA) 'Guidance on requirements for substances in articles' posted at this URL: <https://echa.europa.eu/guidance-documents/guidance-on-reach>

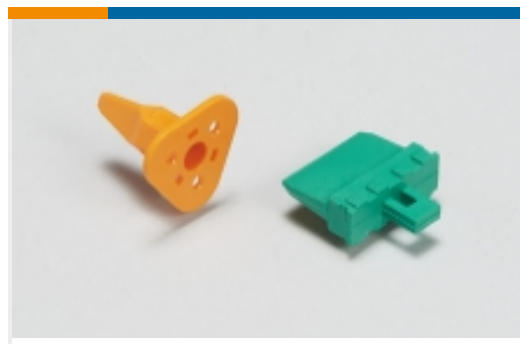
Compatible Parts



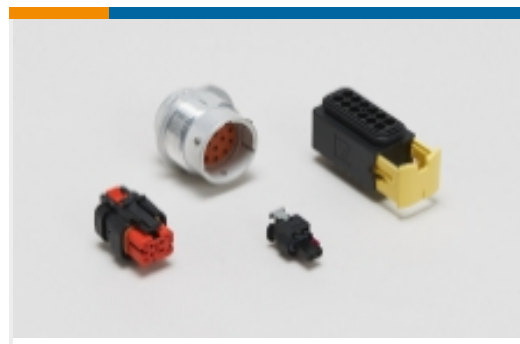
Also in the Series | [MCON Interconnection System](#)



Automotive Connector Caps & Covers (21)



Automotive Connector Locks & Position Assurance(11)



Automotive Housings(288)



Automotive Terminals(104)



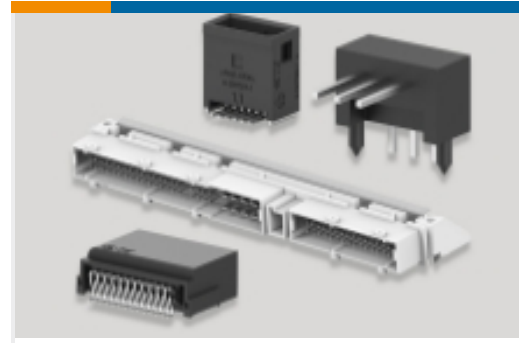
Connector Seals & Cavity Plugs(11)



Insertion & Extraction Tools(31)



Other Automotive Connector Accessories(2)



PCB Headers & Receptacles(2)

Customers Also Bought



TE Part #206429-1
CPC PLUG ASSY, 11-4, REV SEX



TE Part #206966-7
CPC Cable Clamps



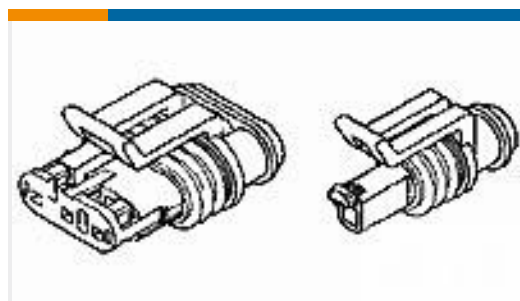
TE Part #W4P
WEDGE LOCK, 4P, REC, GRN, DT



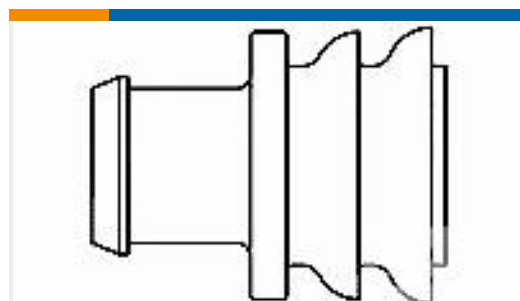
TE Part #DT04-2P
REC, 2P, GRY, N



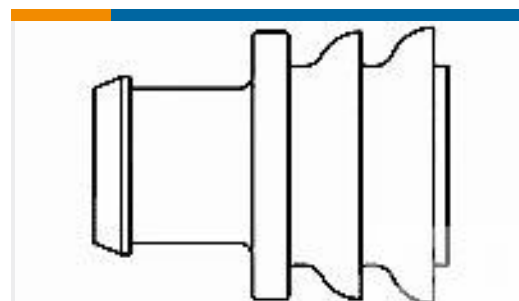
TE Part #0462-201-16141
DEUTSCH Solid Contacts



TE Part #282080-1
AMP SUPERSEAL 1.5 SERIES 2P PL



TE Part #281934-2
SINGLE WIRE SEAL



TE Part #281934-4
SINGLE WIRE SEAL

Documents

[Product Drawings](#)
[36 POS COVER ASSY](#)

English

[CAD Files](#)

[3D PDF](#)

3D

[Customer View Model](#)

[ENG_CVM_CVM_1452993-1_B.2d_dxf.zip](#)



English

Customer View Model

[ENG_CVM_CVM_1452993-1_B.3d_igs.zip](#)

English

Customer View Model

[ENG_CVM_CVM_1452993-1_B.3d_stp.zip](#)

English

By downloading the CAD file I accept and agree to the [Terms and Conditions](#) of use.

Product Specifications

[Application Specification](#)

English