

Device connector, rear mounting - SACCBP-FS-12CON-M16/2,0-PVCSCO



1442191

<https://www.phoenixcontact.com/pc/products/1442191>

Please be informed that the data shown in this PDF document is generated from our Online Catalog. Please find the complete data in the user documentation. Our General Terms of Use for Downloads are valid.



Device connector, rear mounting, Universal, 12-position, PVC/PVC, black RAL 9005, shielded, Flush-type female connector, straight, M12-SPEEDCON, A-coded, on free cable end, Rear mounting, M16 x 1.5, Cable connection, cable length: 2 m, 0.14 mm², PVC black item no.: 1239766

Your advantages

- Pre-assembled with cables in various standard lengths for immediate use
- Customer-specific assemblies and cable lengths can be supplied
- Sealed on the cable side for optimum tightness of seal
- For high transmission safety: shield connection to the housing with optional EMC nut

Commercial Data

Item number	1442191
Packing unit	1 pc
Minimum order quantity	1 pc
Product Key	ABQCED
Catalog Page	Page 51 (C-2-2019)
GTIN	4046356533393
Weight per Piece (including packing)	162.5 g
Weight per Piece (excluding packing)	161.6 g
Customs tariff number	85444290
Country of origin	DE

Device connector, rear mounting - SACCBP-FS-12CON-M16/2,0-PVCSCO



1442191

<https://www.phoenixcontact.com/pc/products/1442191>

Technical Data

Notes

Notes on operation	The electrical and mechanical data specified assume that the connector pair is correctly locked and mounted. If the connector is unlocked and if there is a danger of contamination, the connector must be sealed using a protective cap > IP54. Influences arising from litz wires, cables or PCB assembly must also be taken into consideration.
--------------------	--

Mounting

Mounting type	Rear mounting M16 x 1.5 Thread with flat nut
Assembly instructions	Thread with flat nut

Product properties

Product type	Circular connectors (device side)
Number of positions	12
No. of cable outlets	1
Shielded	yes
Coding	A - standard

Insulation characteristics

Overvoltage category	II
Degree of pollution	3

Material specifications

Flammability rating according to UL 94	V0
Sealing material	FKM
Contact material	CuZn
Contact surface material	Au
Contact carrier material	PA 6.6
Material for screw connection	Zinc die-cast, nickel-plated

Electrical properties

Rated surge voltage	0.8 kV
Contact resistance	$\leq 3 \text{ m}\Omega$
Insulation resistance	$\geq 100 \text{ M}\Omega$
Nominal voltage U_N	30 V
Nominal current I_N	1.5 A

Connection data

Conductor connection

Connection method	Cable connection
Type of contact	Crimp contacts

Device connector, rear mounting - SACCBP-FS-12CON-M16/2,0-PVCSCO



1442191

<https://www.phoenixcontact.com/pc/products/1442191>

Conductor cross section	6x 2x 0.14 mm ²
Tightening torque	3 Nm
	4 Nm

Connector

Connection 1

Head design	Flush-type female connector
Head cable outlet	straight
Head thread type	M12
Head locking type	SPEEDCON
Coding	A-coded

Connection 2

Head design	free cable end
-------------	----------------

Cable / line

Cable length	2 m
Cable type	PVC black
Short symbol	PVC
Signal type/category	Universal
External cable diameter	7 mm ±0.03 mm
Outer sheath, material	PVC
External sheath, color	black RAL 9005
Wire diameter incl. insulation	1 mm ±0.05 mm
Single wire, color	White-brown, green-yellow, gray-pink, blue-red, black-violet, gray/pink-red/blue
Material, inner sheath	PVC
Conductor material	Tin-plated Cu litz wires
Conductor structure signal line	18x 0.10 mm
Material wire insulation	PVC
Thickness, insulation	0.21 mm
Overall twist	Six pairs around the filler to the core
Shielding	Tinned copper braided shield
Optical shield covering	85 %
Nominal voltage, cable	300 V
Test voltage, cable	1500 V AC
Cable resistance	142 Ω/km (at 20 °C)
Smallest bending radius, fixed installation	42 mm
Smallest bending radius, movable installation	105 mm
Resistance to oil	in accordance with DIN EN 60811-404
Flame resistance	IEC 60332-1-2, IEC 60332-1, FT1, VW-1
Other resistance	Hydrolysis and microbe resistant as per VDE 0282 section 10
Ambient temperature (operation)	-40 °C ... 85 °C (cable, fixed installation)

Device connector, rear mounting - SACCBP-FS-12CON-M16/2,0-PVCSCO



1442191

<https://www.phoenixcontact.com/pc/products/1442191>

	-25 °C ... 85 °C (Cable, flexible installation)
--	---

Ambient conditions

Degree of protection	IP67 (When plugged in)
	IP65 (When plugged in)
Degree of protection	IP65/IP67
Ambient temperature (operation)	-25 °C ... 85 °C (Plug / socket)
	-40 °C ... 85 °C (without mechanical actuation)
	-25 °C ... 85 °C (Cable, flexible installation)
	-40 °C ... 85 °C (cable, fixed installation)
Resistance to oil	in accordance with DIN EN 60811-404

Standards and regulations

Flame resistance	IEC 60332-1-2, IEC 60332-1, FT1, VW-1
Resistance to oil	in accordance with DIN EN 60811-404
Other resistance	Hydrolysis and microbe resistant as per VDE 0282 section 10
Standards/specifications	IEC 61076-2-101

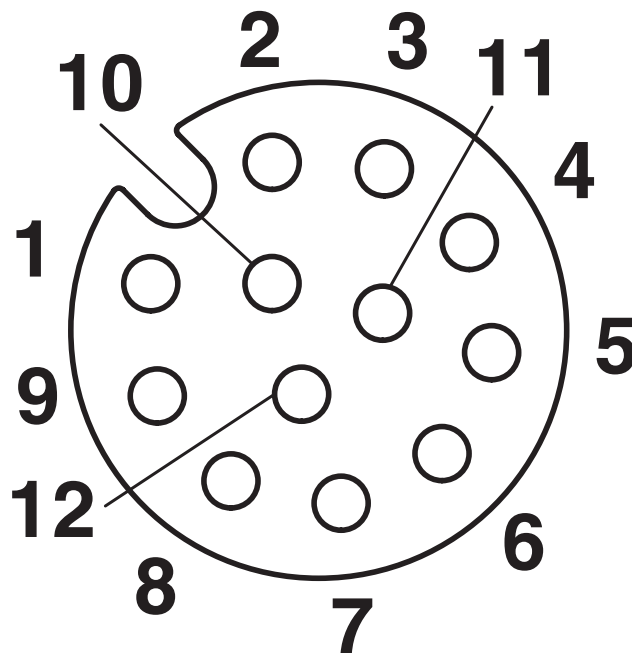
Device connector, rear mounting - SACCBP-FS-12CON-M16/2,0-PVCSCO

1442191

<https://www.phoenixcontact.com/pc/products/1442191>

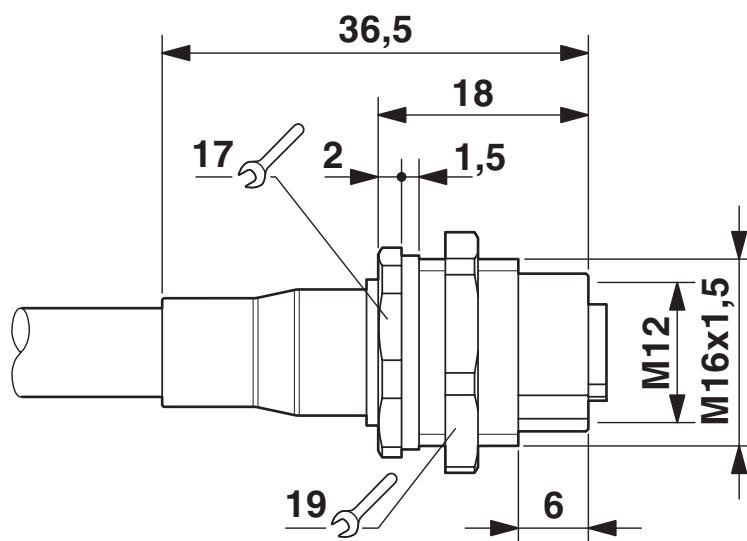
Drawings

Schematic diagram



Pin assignment M12 socket, 12-pos., A-coded, view female side

Dimensional drawing



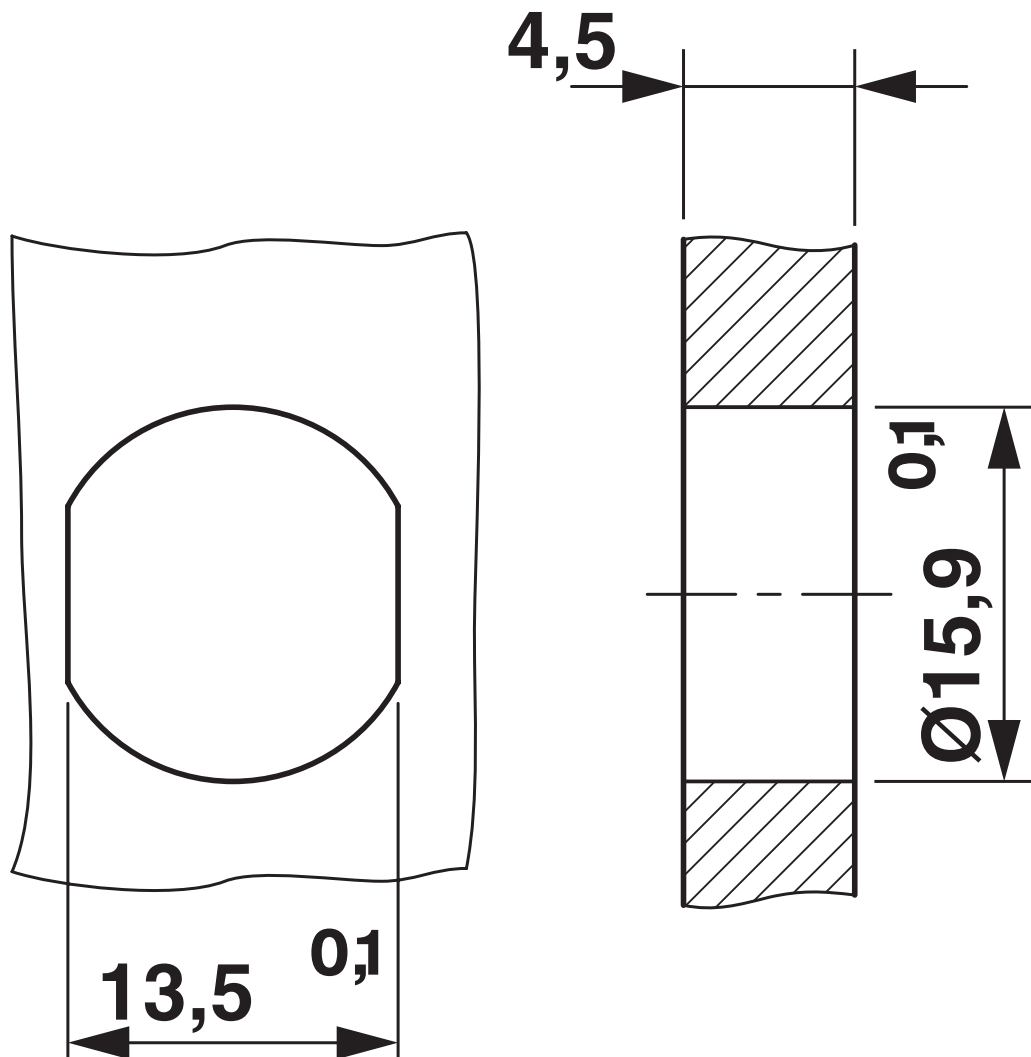
M12 flush-type connector

Device connector, rear mounting - SACCBP-FS-
12CON-M16/2,0-PVCSCO

1442191

<https://www.phoenixcontact.com/pc/products/1442191>

Dimensional drawing



Housing cutout for M16 fastening thread, mounting panel with feed-through hole (alternatively with surface as protection against rotation)

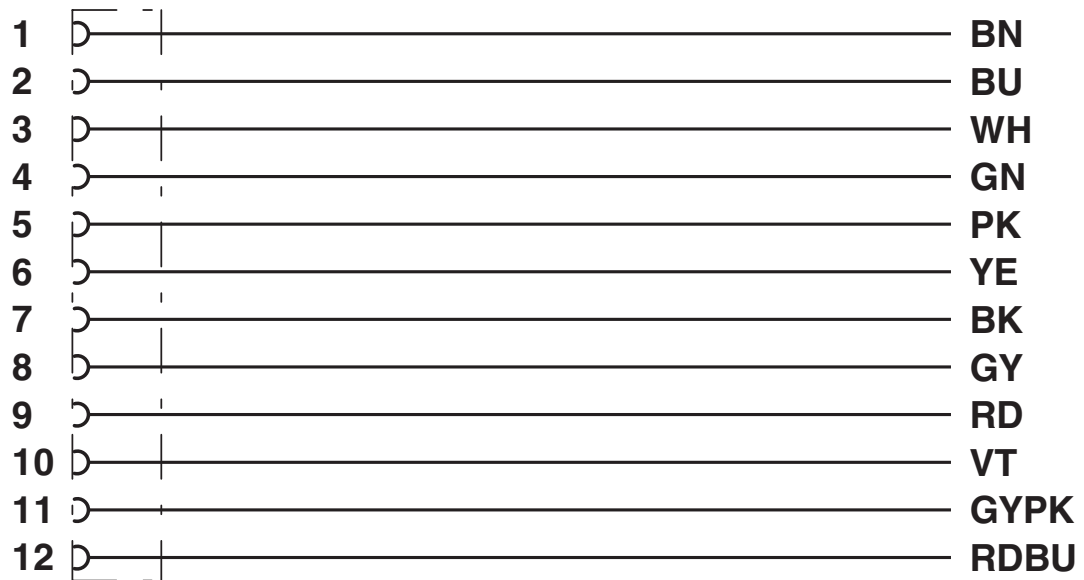
Device connector, rear mounting - SACCBP-FS-12CON-M16/2,0-PVCSCO



1442191

<https://www.phoenixcontact.com/pc/products/1442191>

Circuit diagram



Device connector, rear mounting - SACCBP-FS-12CON-M16/2,0-PVCSCO



1442191

<https://www.phoenixcontact.com/pc/products/1442191>

Approvals



EAC

Approval ID: B.01687



cUL Recognized

Approval ID: E221474-20220908

	Nominal Voltage U_N	Nominal Current I_N	Cross Section AWG	Cross Section mm^2
	30 V	1.5 A	-	-



UL Recognized

Approval ID: E221474-20220908

	Nominal Voltage U_N	Nominal Current I_N	Cross Section AWG	Cross Section mm^2
	30 V	1.5 A	-	-

cULus Recognized

Device connector, rear mounting - SACCBP-FS-12CON-M16/2,0-PVCSCO



1442191

<https://www.phoenixcontact.com/pc/products/1442191>

Classifications

ECLASS

ECLASS-9.0	27440102
ECLASS-10.0.1	27440102
ECLASS-11.0	27440102

ETIM

ETIM 8.0	EC002635
----------	----------

UNSPSC

UNSPSC 21.0	39121400
-------------	----------

Device connector, rear mounting - SACCBP-FS-12CON-M16/2,0-PVCSCO



1442191

<https://www.phoenixcontact.com/pc/products/1442191>

Environmental Product Compliance

REACH SVHC	Lead 7439-92-1
China RoHS	Environmentally Friendly Use Period = 50 years
	For information on hazardous substances, refer to the manufacturer's declaration available under "Downloads"

Device connector, rear mounting - SACCBP-FS-12CON-M16/2,0-PVCSCO

1442191

<https://www.phoenixcontact.com/pc/products/1442191>

Accessories

Screw plug

Screw plug - SACC-M16-SEALING PLUG SET - 1453368

<https://www.phoenixcontact.com/pc/products/1453368>



Screw plug, Rear mounting, M16 x 1.5 item no.: 1239800

Screw plug

Screw plug - PROT-M12 - 1680539

<https://www.phoenixcontact.com/pc/products/1680539>



An M12 screw plug for the unoccupied M12 sockets of the sensor/actuator cable, boxes and flush-type connectors

Device connector, rear mounting - SACCBP-FS-12CON-M16/2,0-PVCSCO

1442191

<https://www.phoenixcontact.com/pc/products/1442191>

Screw plug

Screw plug - PROT-M12 SH - 1503302

<https://www.phoenixcontact.com/pc/products/1503302>



An M12 screw plug for the unoccupied M12 sockets of the shielded sensor/actuator cable, boxes and flush-type connectors

Screw plug

Screw plug - PROT-M12 FB - 1555538

<https://www.phoenixcontact.com/pc/products/1555538>



M12 high-grade steel screw plug, for unoccupied M12 sockets of the sensor/actuator cables, boxes and flush-type connectors for the food industry

Device connector, rear mounting - SACCBP-FS-12CON-M16/2,0-PVCSCO



1442191

<https://www.phoenixcontact.com/pc/products/1442191>

Flat gasket

Flat gasket - SACC-M16-SEAL CLM - 1430394

<https://www.phoenixcontact.com/pc/products/1430394>

M16 flat gasket for M12 flush-type connectors with M16 fastening thread



Phoenix Contact 2023 © - all rights reserved
<https://www.phoenixcontact.com>

PHOENIX CONTACT GmbH & Co. KG
Flachmarktstraße 8
D-32825 Blomberg
+49 (0) 5235-3 00
info@phoenixcontact.com