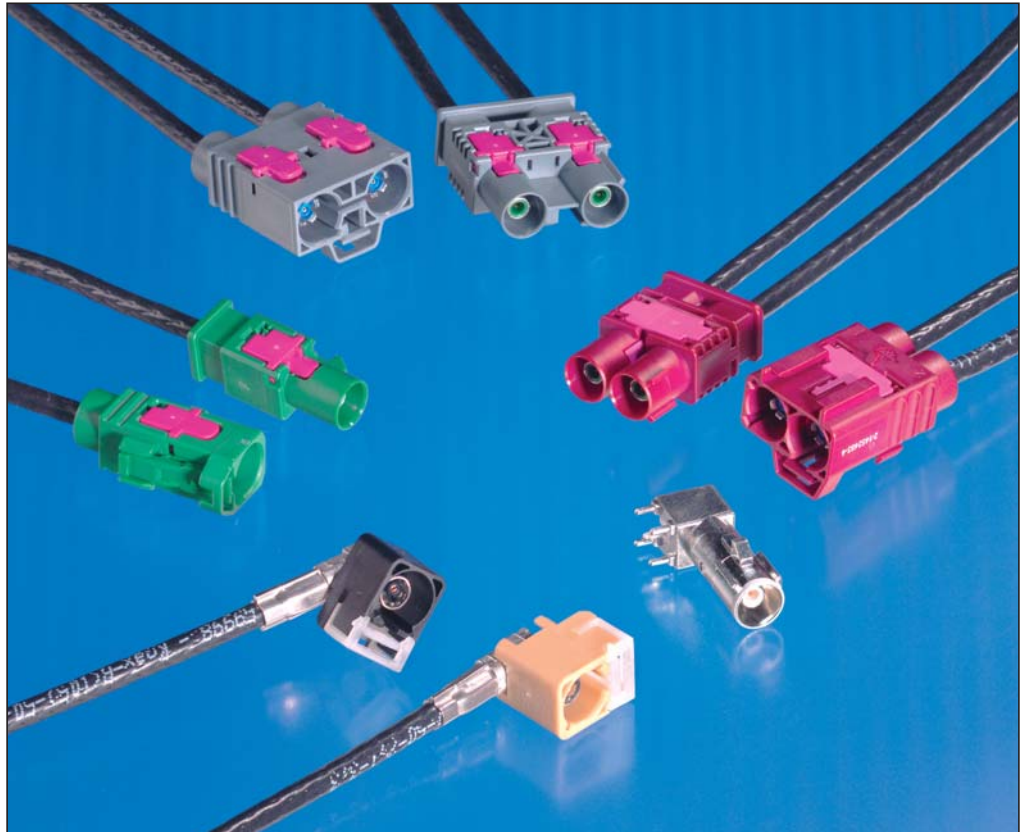


Introduction



FAKRA Guarantees Interchangeability of RF Connector Systems



During the last years the Automotive market experienced an exploding growth of telematics and Multi Media applications. These typically include, along with the new optical transmission systems, high frequency systems like Global Positioning Systems (GPS), mobile phones, radios, mobile television and recently digital satellite radios.

In order to guarantee interchangeability of connector systems the German „Facharbeitskreis Automotive“ (FAKRA) council has created a new standard for high frequency coaxial connectors (“FAKRA RF”connectors).

This standard covers the design of the connectors interface with its mechanical and electrical characteristics, incl. testing methods etc. The standard is in a worldwide acceptance process by major car manufacturers and system suppliers for automotive communications and entertainment applications.

The automotive industry expanded this compatibility. Next to the interface also the housing cavities are uniform. Now the customers have the advantage to order terminals and housings from different suppliers. In the field the terms “FAKRA II” and “FAKRA IV” are used to distinguish the kind of compatibility.

Tyco Electronics offers a comprehensive program of RF cable assemblies, terminals and housings. These products are fully compatible, designed after the “FAKRA RF” requirements including recent extensions and improvements.

The program includes straight jack and plug terminals for different cable types, one and two position straight housings (pitch 8.0 mm and 12.7 mm) with the different mechanical keys and an angled plug terminal with one housing for the three cable directions or a version which is fully rotational. Special cable assemblies using these connectors are available as well.

The connectors show an innovative design which complies to even the highest physical size requirements on the market and unique features with respect to automotive applications as well as to the requirements in the assembly lines of our customers.

The Tyco Electronics Design Verification plan covers all requirements from the FAKRA and the USCAR standards.

USCAR is a trademark

SUPERSEDED
NOT THE LATEST
REVISION

RG 174 Contact for 90° Plug Version

Technical Features

Contact Material

Stamped Contact:

CuNiSi

Contact Finish:

Gold plated

Rating

Frequency Range:

0 to 6,000 MHz

Temperature Range:

-40 °C to +100 °C

Wire Size Range:

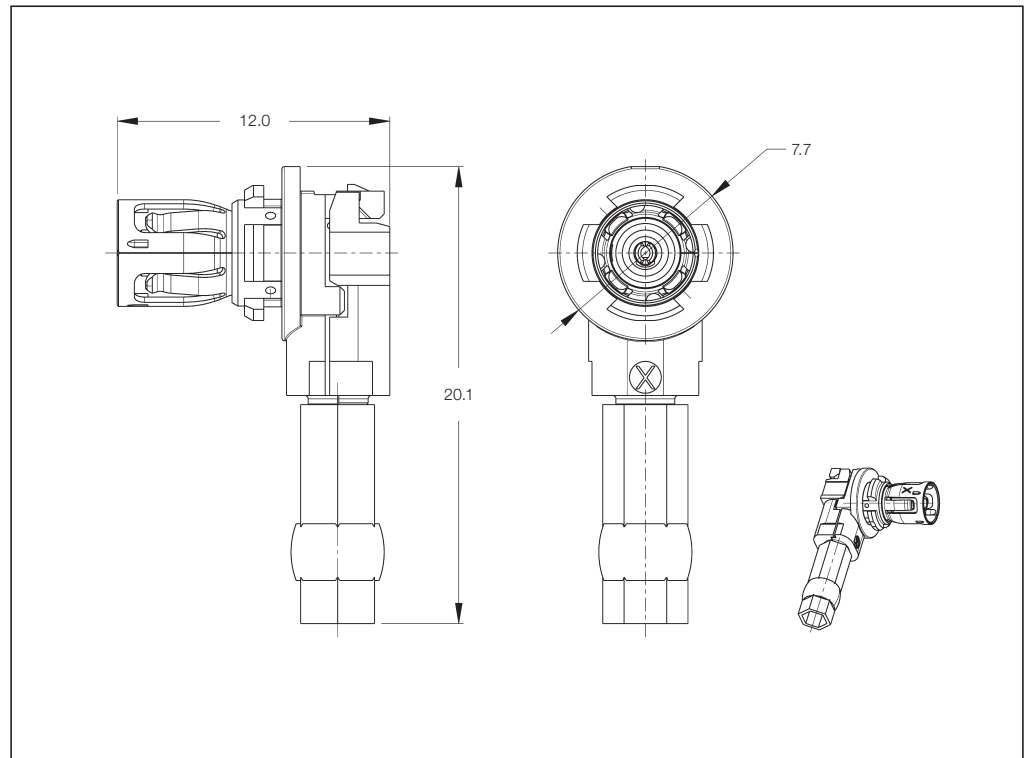
Diameter 2.8 \pm 0.1 mm

Product Specification:

108-94089

Application Specification:

114-18623



Plug Closed Outer Spring RG 174 Contact Stamped Suitable for Plug Housing, Part No. 1719261

For Cable Part No.*	Cable	Kit Part No.	Part Numbers of Needed Components				Package Quantity	Applicator for Contact	Hand Tool Crimp Inserts to be used in Hand Crimp Tool
			Center Contact	Sub-Assembly Front	Sub-Assembly Rear	Ferrule			Part No. 539635-1 for the Ferrule
Stamped Contact									
1449103-1 1719435-1	RG 174	N/A (1719655-1) ¹⁾	1719685-1	1719656-1	1719658-1	1-413889-3	Components must be ordered separately ¹⁾	9-541782-7	1-1579001-1

1) Refer to Customer Drawing 1719655-1

*) Other cable types have to be released by Tyco Electronics Product Engineering.

Note: All Part Numbers are RoHS and ELV compliant.

RTK 031 Contact for 90° Plug Version

Technical Features

Contact Material

Stamped Contact:

CuNiSi

Contact Finish:

Gold plated

Rating

Frequency Range:

0 to 6,000 MHz

Temperature Range:

-40 °C to +100 °C

Wire Size Range:

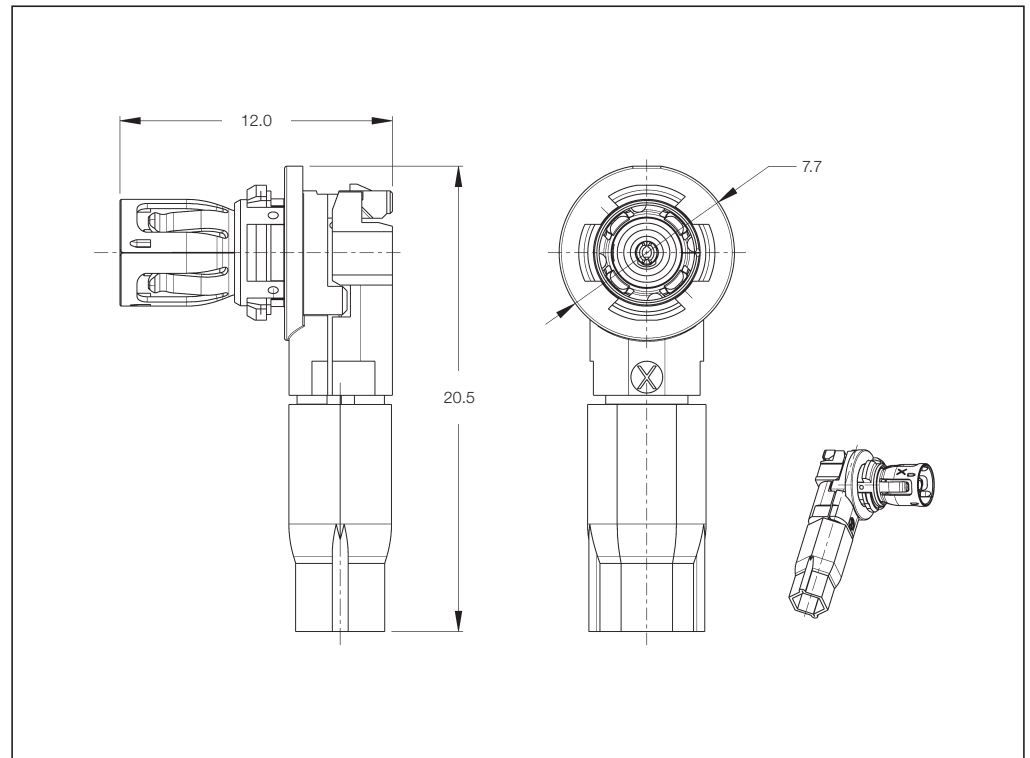
Diameter 3.2 \pm 0.3 mm RTK and
Diameter 3.5 \pm 0.15 mm Low Loss

Product Specification:

108-94089

Application Specification:

114-18623



Plug Closed Outer Spring RTK 031 Contact Stamped Suitable for Plug Housing, Part No. 1719261

For Cable Part No.*	Cable	Kit Part No.	Part Numbers of Needed Components				Package Quantity	Applicator for Contact	Hand Tool Crimp Inserts to be used in Hand Crimp Tool
			Center Contact	Sub-Assembly Front	Sub-Assembly Rear	Ferrule			Part No. 539635-1 for the Ferrule
Stamped Contact									
956339-1	RTK 031	N/A					Components must be ordered separately ¹⁾	9-541781-7	1579021-4
956339-2		(1719252-1) ¹⁾	1418990-1	1719241-1	1719245-1	1418993-1			
956163-2	Low Loss								

1) Refer to Customer Drawing 1719252

*) Other cable types have to be released by Tyco Electronics Product Engineering.

Note: All Part Numbers are RoHS and ELV compliant.

RTK 031 (75 Ohm) Contact for 90° Plug Version

Technical Features

Contact Material

Stamped Contact:

CuNiSi

Contact Finish:

Gold plated

Rating

Frequency Range:

Cable dependant

Temperature Range:

-40 °C to +100 °C

Wire Size Range:

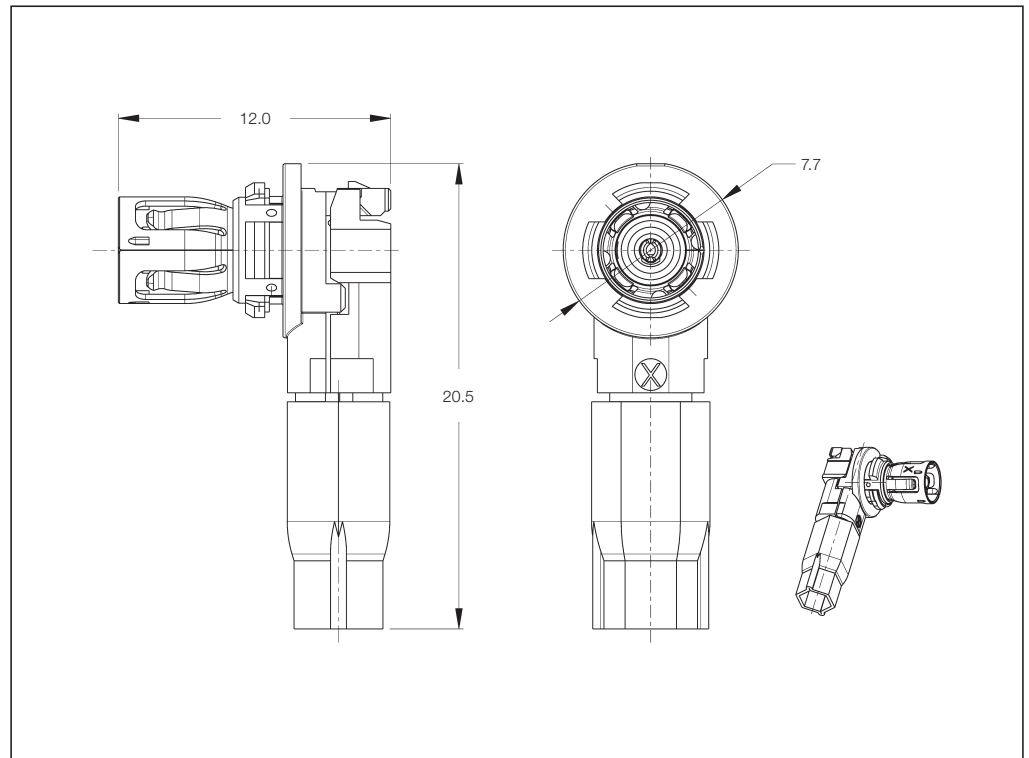
Diameter 3.2 \pm 0.1 mm

Product Specification:

108-94089

Application Specification:

114-18623-1



Plug Closed Outer Spring 75 Ohm Contact Stamped Suitable for Plug Housing, Part No. 1719261

For Cable Part No.*	Cable	Kit Part No.	Part Numbers of Needed Components				Package Quantity	Applicator for Contact	Hand Tool Crimp Inserts to be used in Hand Crimp Tool
			Center Contact	Sub-Assembly Front	Sub-Assembly Rear	Ferrule			Part No. 539635-1 for the Ferrule
Stamped Contact									
1703488-1	75 Ohm	N/A	1719685-1	1719241-1	1719245-1	1418993-1	Components must be ordered separately	9-541782-7	1579021-4

*) Other cable types have to be released by Tyco Electronics Product Engineering.

Note: All Part Numbers are RoHS and ELV compliant.

RG 174 Contact for 180° Plug Version – Open Outer Spring

Technical Features

Contact Material

Turned Contact:

CuNi

Stamped Contact:

CuNiSi

Contact Finish:

Gold plated

Rating

Frequency Range:

0 to 6,000 MHz

Temperature Range:

-40 °C to +100 °C

Wire Size Range:

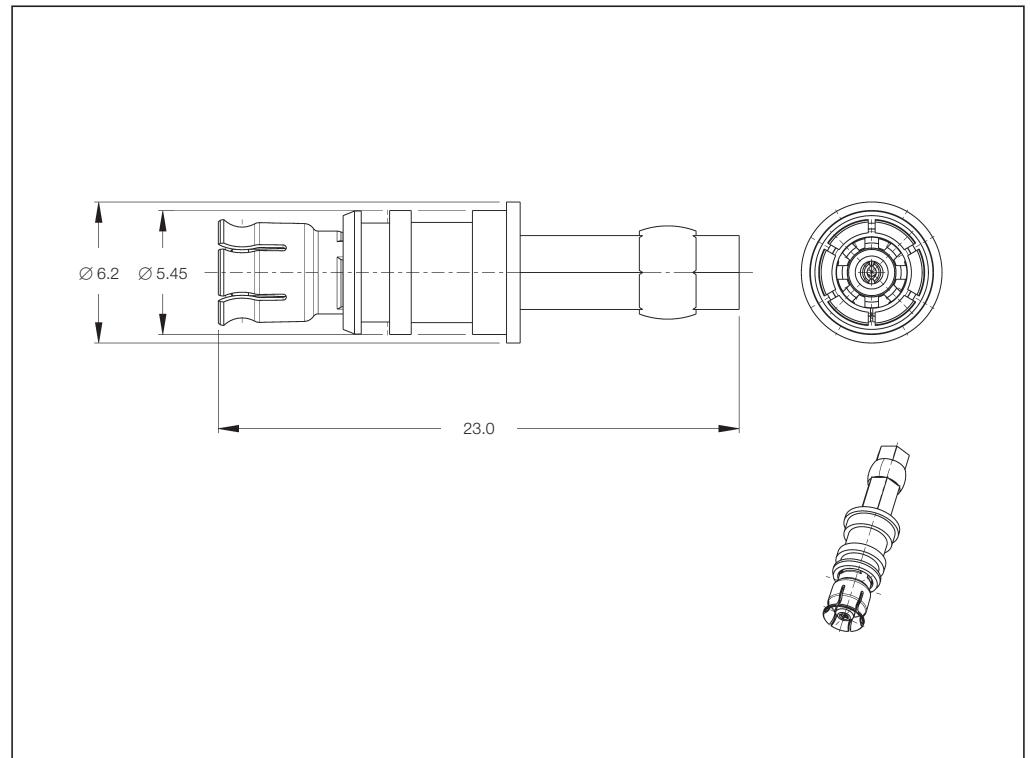
Diameter 2.8 \pm 0.1 mm

Product Specification:

108-2129

Application Specification:

114-18622



Plug Open Outer Spring RG 174 Contact Stamped or Turned Suitable for Plug Housings, Part Nos. 1452584, 1452483 and 1452587

For Cable Part No.*	Cable	Kit Part No.	Part Numbers of Needed Components			Package Quantity	Applicator for Contact	Hand Tool Crimp Inserts to be used in Hand Crimp Tool	
			Center Contact	Sub-Assembly	Ferrule			Part No. 601966-1 for Contact	Part No. 539635-1 for Ferrule
Stamped Contact									
1719435-1	RG 174	N/A (1488155-2) ¹⁾	1418971-1 CuNiSi	1488154-1	1-413889-3 SiCu	Components must be ordered separately ¹⁾	9-541782-7	N/A	1-1579001-1
Turned Contact									
1719435-1 1449103-1	RG 174	1488155-1 ¹⁾	1488269-1 CuNi	1488154-1	1-413889-3 SiCu	1,000	N/A	1579003-4	1-1579001-1

1) Refer to Customer Drawing 1488571

*) Other cable types have to be released by Tyco Electronics Product Engineering.

Note: All Part Numbers are RoHS and ELV compliant.

RG 174 Contact for 180° Plug Version – Closed Outer Spring

Technical Features

Contact Material

Turned Contact:

CuNi

Stamped Contact:

CuNiSi

Contact Finish:

Gold plated

Rating

Frequency Range:

0 to 6,000 MHz

Temperature Range:

-40 °C to +100 °C

Wire Size Range:

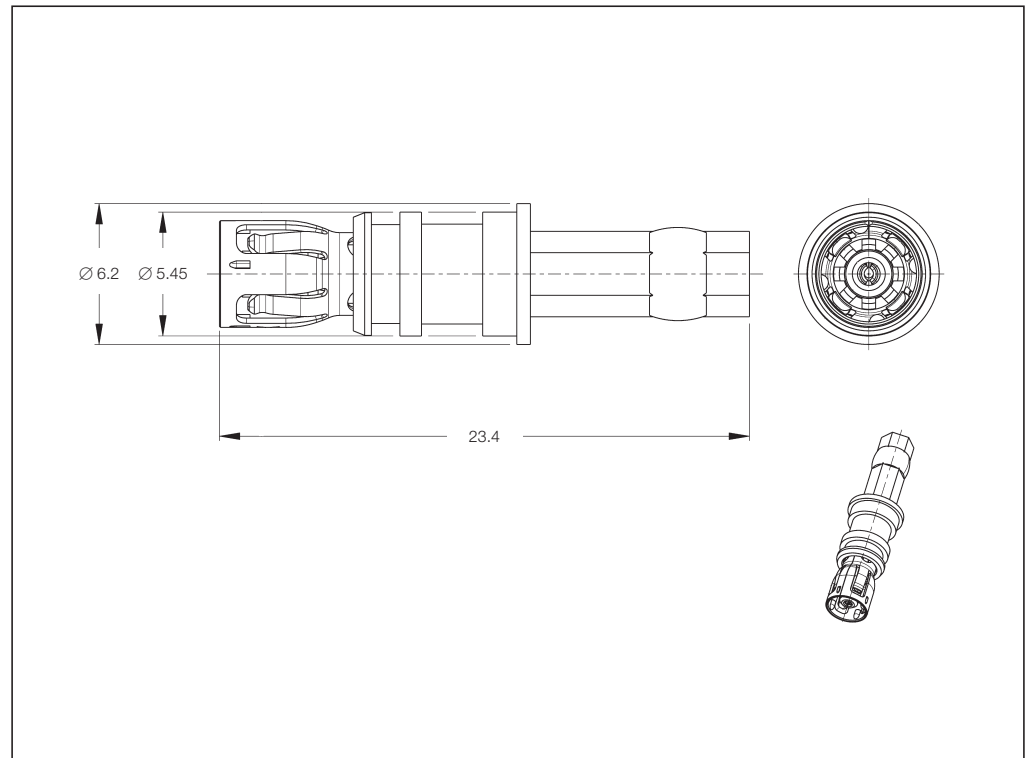
Diameter 2.8 \pm 0.1 mm

Product Specification:

108-2129

Application Specification:

114-18622



Plug Closed Outer Spring RG 174 Contact Stamped or Turned Suitable for Plug Housings, Part Nos. 1452584, 1452483 and 1452587

For Cable Part No.*	Cable	Kit Part No.	Part Numbers of Needed Components			Package Quantity	Applicator for Contact	Hand Tool Crimp Inserts to be used in Hand Crimp Tool	
			Center Contact	Sub-Assembly	Ferrule			Part No. 601966-1 for Contact	Part No. 539635-1 for Ferrule
Stamped Contact									
1719435-1	RG 174	N/A (1719791-2) ¹⁾	1418971-1 CuNiSi	1719793-1	1-413889-3 SiCu	Components must be ordered separately ¹⁾	9-541782-7	N/A	1-1579001-1
Turned Contact									
1719435-1 1449103-1	RG 174	1719791-1 ¹⁾	1488269-1 CuNi	1719793-1	1-413889-3 SiCu	1,000	N/A	1579003-4	1-1579001-1

1) Refer to Customer Drawing 1719795.

*) Other cable types have to be released by Tyco Electronics Product Engineering.

Note: All Part Numbers are RoHS and ELV compliant.

RG 174 Contact for 180° Jack Version

Technical Features

Contact Material

Turned Contact:

CuNi

Stamped Contact:

CuNiSi

Contact Finish:

Gold plated

Rating

Frequency Range:

0 to 6,000 MHz

Temperature Range:

-40 °C to +100 °C

Wire Size Range:

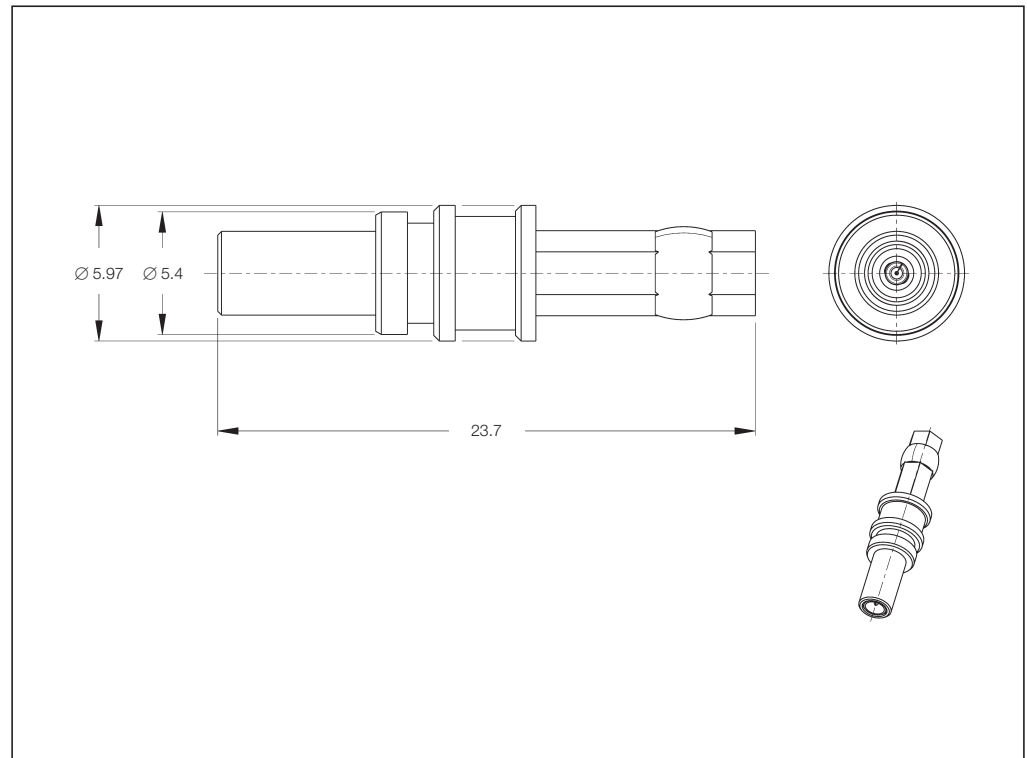
Diameter 2.8 \pm 0.1 mm

Product Specification:

108-2129

Application Specification:

114-18622



Jack RG 174 Contact Stamped or Turned Suitable for Jack Housings, Part Nos. 1452580, 1452481 and 1452697

For Cable Part No.*	Cable	Kit Part No.	Part Numbers of Needed Components			Package Quantity	Applicator for Contact	Hand Tool Crimp Inserts to be used in Hand Crimp Tool	
			Center Contact	Sub-Assembly	Ferrule			Part No. 601966-1 for Contact	Part No. 539635-1 for Ferrule
Stamped Contact									
1719435-1	RG 174	N/A (1488147-2) ¹⁾	1418970-1 CuNiSi	1488146-2	1-413889-3 SiCu	Components must be ordered separately ¹⁾	9-541782-7	N/A	1-1579001-1
Turned Contact									
1719435-1 1449103-1	RG 174	1488147-1 ¹⁾	1488145-1 CuZn	1488146-1	1-413889-3 SiCu	1,000	N/A	1579003-4	1-1579001-1

1) Refer to Customer Drawing 1488570.

*) Other cable types have to be released by Tyco Electronics Product Engineering.

Note: All Part Numbers are RoHS and ELV compliant.

RTK 031 Contact for 180° Plug Version – Open Outer Spring

Technical Features

Contact Material

Turned Contact:

CuNi

Stamped Contact:

CuNiSi

Contact Finish:

Gold plated

Rating

Frequency Range:

0 to 6,000 MHz

Temperature Range:

-40 °C to +100 °C

Wire Size Range:

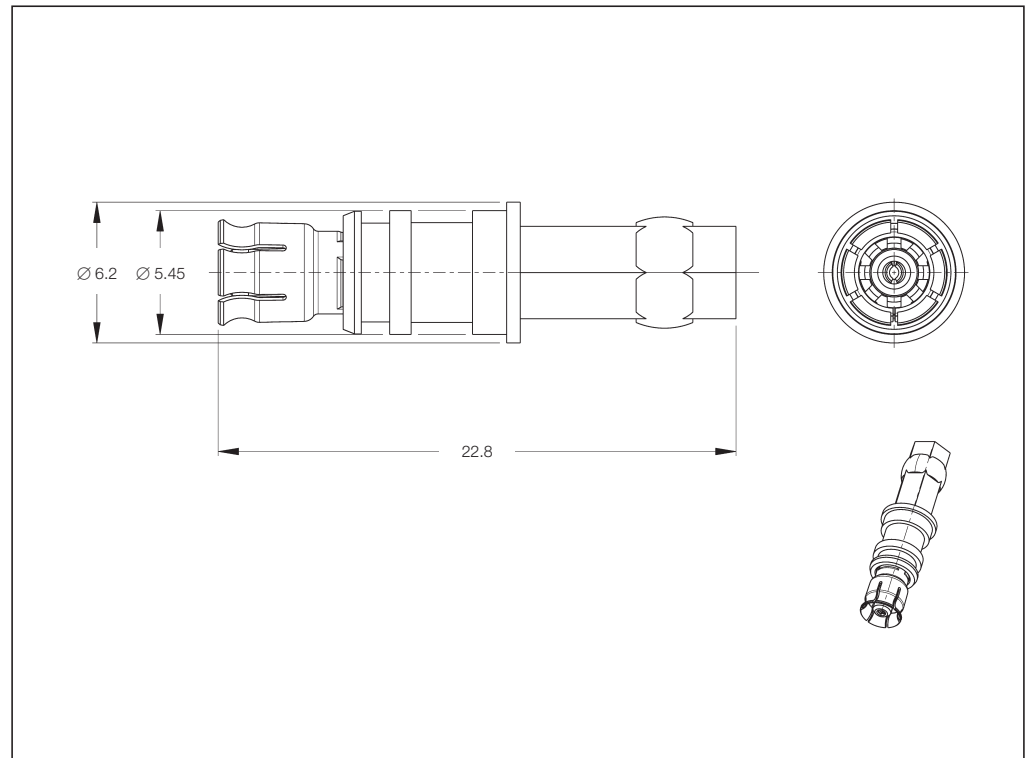
Diameter 3.2^{±0.3} mm RTK and
Diameter 3.5^{±0.15} mm Low Loss

Product Specification:

108-2129

Application Specification:

114-18622



Plug Open Outer Spring RTK 031/Low Loss Contact Stamped or Turned Suitable for Plug Housings, Part Nos. 1452584, 1452483 and 1452587

For Cable Part No.*	Cable	Kit Part No.	Part Numbers of Needed Components			Package Quantity	Applicator for Contact	Hand Tool Crimp Inserts to be used in Hand Crimp Tool	
			Center Contact	Sub-Assembly	Ferrule			Part No. 601966-1 for Contact	Part No. 539635-1 for Ferrule
Stamped Contact									
956339-1	RTK 031	N/A (1488175-2) ¹⁾	1418973-1	1488174-1	1488167-1 SiCu	Components must be ordered separately ¹⁾	9-541797-7	N/A	1-1579001-1
956339-2			CuNiSi						
956163-2	Low Loss								
Turned Contact									
956339-1	RTK 031	1488175-1 ¹⁾	1488172-1	1488174-1	1488167-1 SiCu	1,000	N/A	1579003-4	1-1579001-1
956339-2			CuZn						

1) Refer to Customer Drawing 1488571.

*) Other cable types have to be released by Tyco Electronics Product Engineering.

Note: All Part Numbers are RoHS and ELV compliant.

RTK 031 Contact for 180° Plug Version – Closed Outer Spring

Technical Features

Contact Material

Turned Contact:

CuNi

Stamped Contact:

CuNiSi

Contact Finish:

Gold plated

Rating

Frequency Range:

0 to 6,000 MHz

Temperature Range:

-40 °C to +100 °C

Wire Size Range:

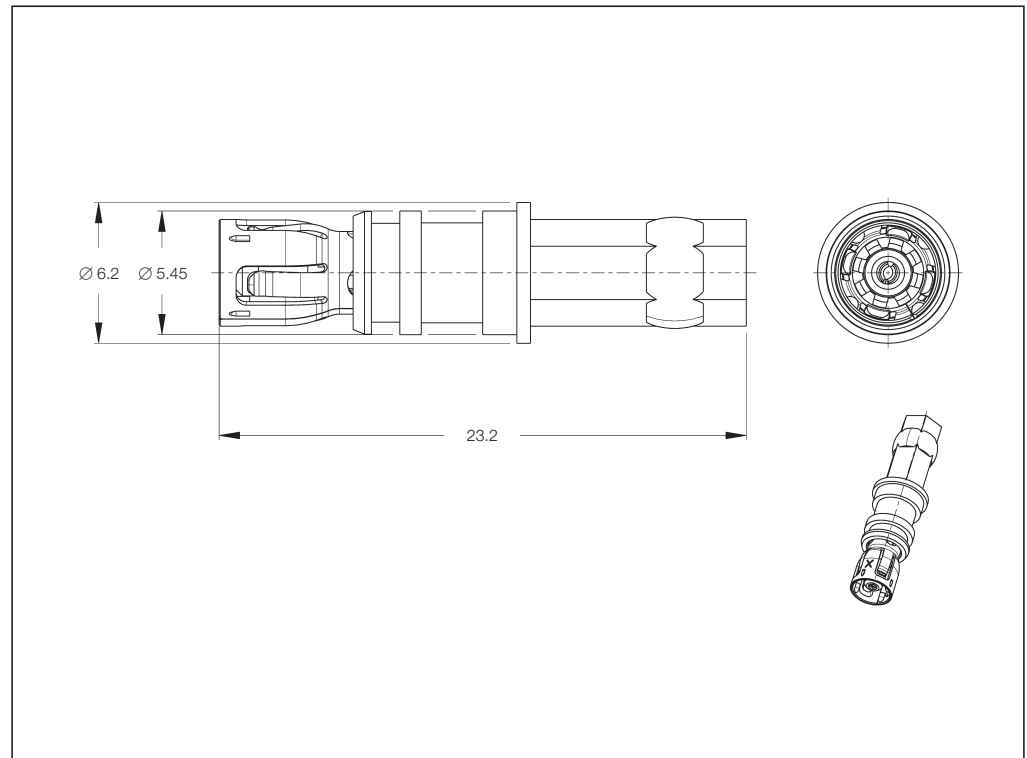
Diameter 3.2^{±0.3} mm RTK and
Diameter 3.5^{±0.15} mm Low Loss

Product Specification:

108-2129

Application Specification:

114-18622



Plug Closed Outer Spring RTK 031/Low Loss Contact Stamped or Turned Suitable for Plug Housings, Part Nos. 1452584, 1452483 and 1452587

For Cable Part No.*	Cable	Kit Part No.	Part Numbers of Needed Components			Package Quantity	Applicator for Contact	Hand Tool Crimp Inserts to be used in Hand Crimp Tool	
			Center Contact	Sub-Assembly	Ferrule			Part No. 601966-1 for Contact	Part No. 539635-1 for Ferrule
Stamped Contact									
956339-1	RTK 031	N/A (1719792-2) ¹⁾	1418973-1	1719794-1	1488167-1 SiCu	Components must be ordered separately ¹⁾	9-541797-7	N/A	1-1579001-1
956339-2			CuNiSi						
956163-2	Low Loss								
Turned Contact									
956339-1	RTK 031	1719792-1 ¹⁾	1488172-1	1719794-1	1488167-1 SiCu	1,000	N/A	1579003-4	1-1579001-1
956339-2			CuNi						

1) Refer to Customer Drawing 1719795.

*) Other cable types have to be released by Tyco Electronics Product Engineering.

Note: All Part Numbers are RoHS and ELV compliant.

RTK 031 Contact for 180° Jack Version

Technical Features

Contact Material
Stamped Contact:

CuSn

Screw Machined Contact:

CuZn

Contact Finish:

Gold plated

Rating

Frequency Range:

0 to 6,000 MHz

Temperature Range:

-40 °C to +100 °C

Wire Size Range:

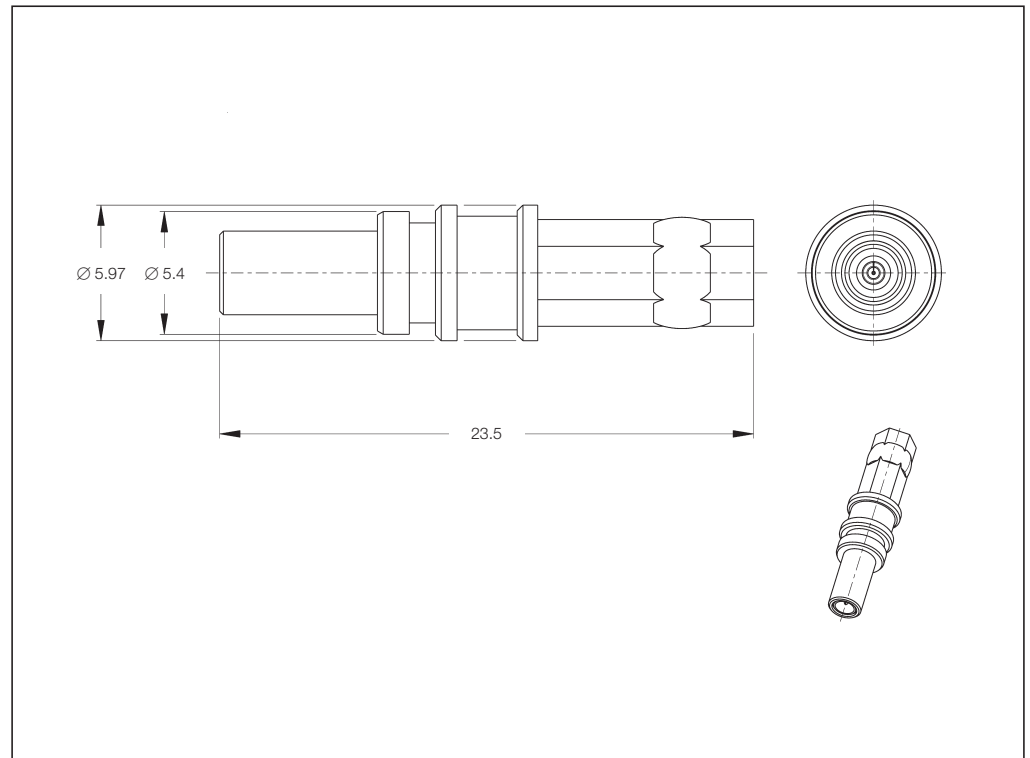
Diameter 3.2^{±0.3} mm RTK and
Diameter 3.5^{±0.15} mm Low Loss

Product Specification:

108-2129

Application Specification:

114-18622



Jack RTK 031/Low Loss Contact Stamped or Turned Suitable for Jack Housings, Part Nos. 1452580, 1452481 and 1452697

For Cable Part No.*	Cable	Kit Part No.	Part Numbers of Needed Components			Package Quantity	Applicator for Contact	Hand Tool Crimp Inserts to be used in Hand Crimp Tool	
			Center Contact	Sub-Assembly	Ferrule			Part No. 601966-1 for Contact	Part No. 539635-1 for Ferrule
Stamped Contact									
956339-1	RTK 031	N/A	1418972-1	1488170-2	1488167-1	Components must be ordered separately ¹⁾	9-541797-7	N/A	1-1579001-1
956339-2		(1488171-2) ¹⁾	CuNiSi		SfCu				
956163-2	Low Loss								
Turned Contact									
956339-1	RTK 031	1488171-1 ¹⁾	1488168-1	1488170-1	1488167-1	1,000	N/A	1579003-4	1-1579001-1
956339-2			CuZn		SfCu				

1) Refer to Customer Drawing 1488570.

*) Other cable types have to be released by Tyco Electronics Product Engineering.

Note: All Part Numbers are RoHS and ELV compliant.

75 Ohm Contact for 180° Plug Version – Open Outer Spring

Technical Features

Contact Material
Stamped Contact:
CuNiSi

Contact Finish:
Gold plated

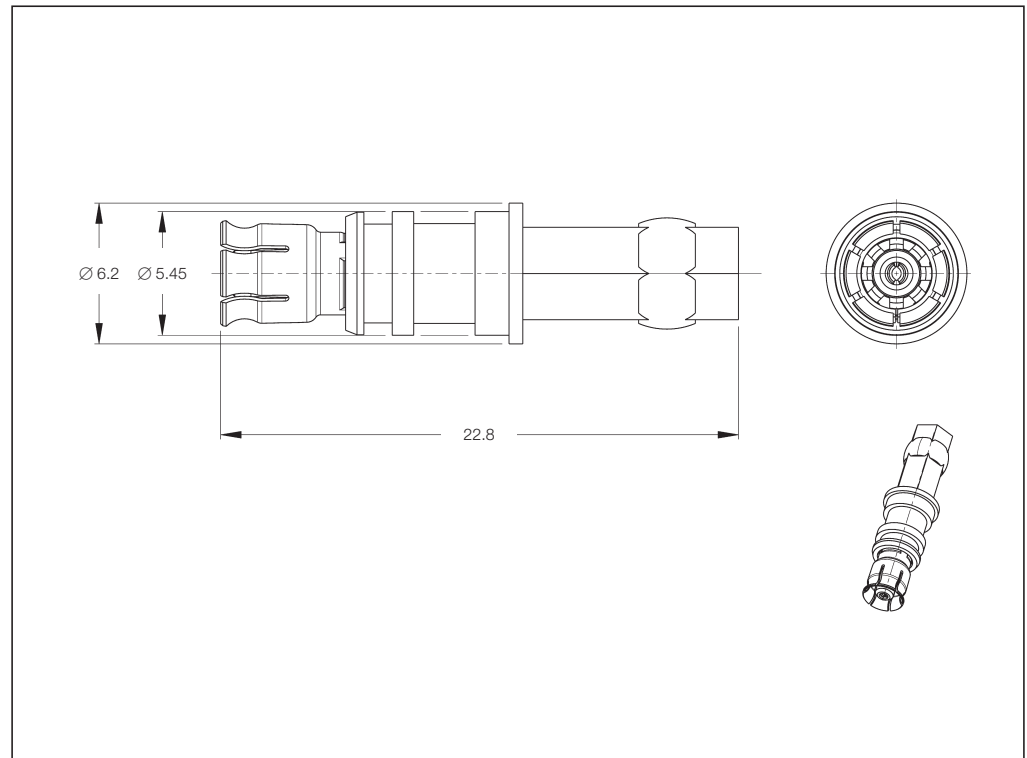
Rating
Frequency Range:
Cable dependant

Temperature Range:
-40 °C to +100 °C

Wire Size Range:
Diameter 3.2 \pm 0.1 mm

Product Specification:
108-2129-1

Application Specification:
114-18622-1



Plug Open Outer Spring 75 Ohm Contact Stamped Suitable for Plug Housings, Part Nos. 1452584, 1452483 and 1452587

For Cable Part No.*	Cable	Kit Part No.	Part Numbers of Needed Components			Package Quantity	Applicator for Contact	Hand Tool Crimp Inserts to be used in Hand Crimp Tool
			Center Contact	Sub-Assembly	Ferrule			Part No. 539635-1 for the Ferrule
Stamped Contact								
1703488-1	75 Ohm	N/A	1418971-1 CuNiSi	1488174-1	1488167-1 SfCu	Components must be ordered separately	9-541782-7	1-1579001-1

*) Other cable types have to be released by Tyco Electronics Product Engineering.

Note: All Part Numbers are RoHS and ELV compliant.

75 Ohm Contact for 180° Plug Version – Closed Outer Spring

Technical Features

Contact Material
Stamped Contact:
CuNiSi

Contact Finish:
Gold plated

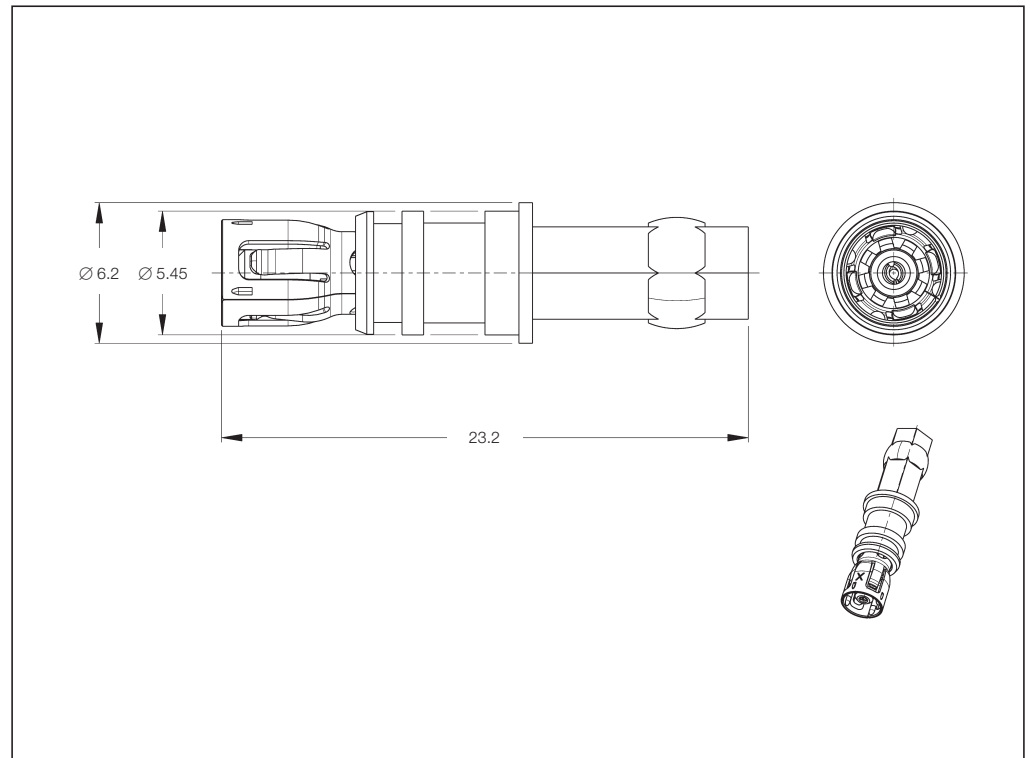
Rating
Frequency Range:
Cable dependant

Temperature Range:
-40 °C to +100 °C

Wire Size Range:
Diameter 3.2 \pm 0.1 mm

Product Specification:
108-2129-1

Application Specification:
114-18622-1



Plug Closed Outer Spring 75 Ohm Contact Stamped Suitable for Plug Housings, Part Nos. 1452584, 1452483 and 1452587

For Cable Part No.*	Cable	Kit Part No.	Part Numbers of Needed Components			Package Quantity	Applicator for Contact	Hand Tool Crimp Inserts to be used in Hand Crimp Tool
			Center Contact	Sub-Assembly	Ferrule			Part No. 539635-1 for the Ferrule
Stamped Contact								
1703488-1	75 Ohm	N/A	1418971-1 CuNiSi	1719794-1	1488167-1 SfCu	Components must be ordered separately	9-541782-7	1-1579001-1

*) Other cable types have to be released by Tyco Electronics Product Engineering.

Note: All Part Numbers are RoHS and ELV compliant.

75 Ohm Contact for 180° Jack Version

Technical Features

Contact Material
Stamped Contact:
CuSn

Contact Finish:
Gold plated

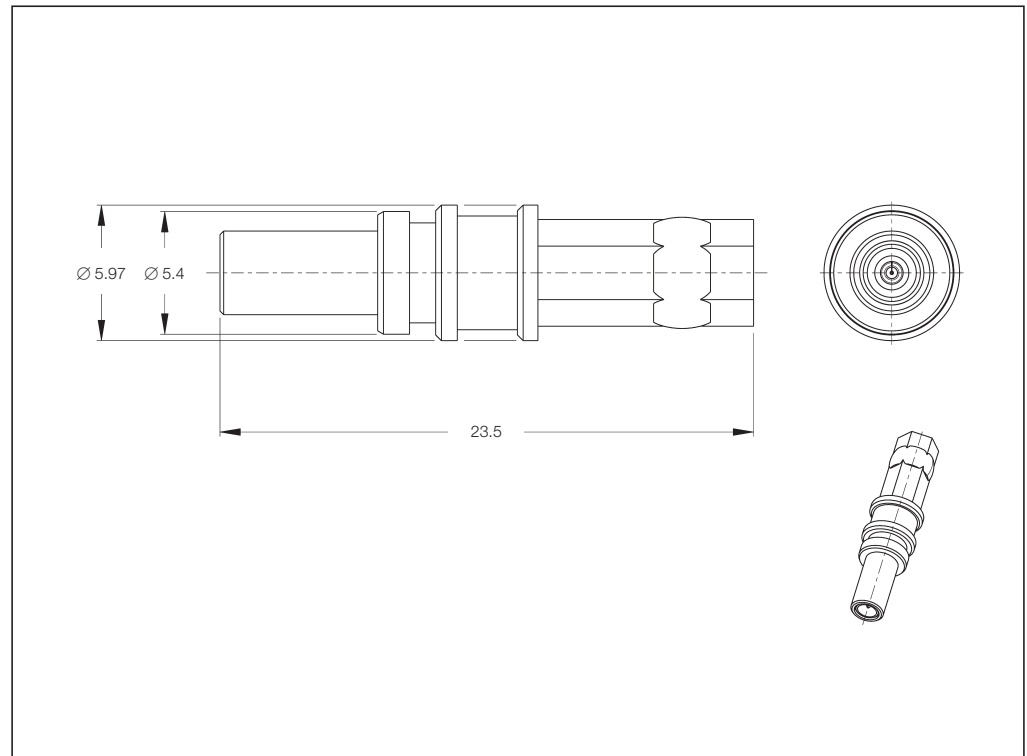
Rating
Frequency Range:
Cable dependant

Temperature Range:
-40 °C to +100 °C

Wire Size Range:
Diameter 3.2 ±0.1 mm

Product Specification:
108-2129-1

Application Specification:
114-18622-1



Jack 75 Ohm Contact Stamped Suitable for Jack Housings, Part Nos. 1452580, 1452481 and 1452697

For Cable Part No.*	Cable	Kit Part No.	Part Numbers of Needed Components			Package Quantity	Applicator for Contact	Hand Tool Crimp Inserts to be used in Hand Crimp Tool
			Center Contact	Sub-Assembly	Ferrule			Part No. 539635-1 for the Ferrule
Stamped Contact								
1703488-1	75 Ohm	N/A	1418970-1 CuSn	1488170-2	1488167-1 SfCu	Components must be ordered separately	9-541782-7	1-1579001-1

*) Other cable types have to be released by Tyco Electronics Product Engineering.

Note: All Part Numbers are RoHS and ELV compliant.

1 Position Plug Housing

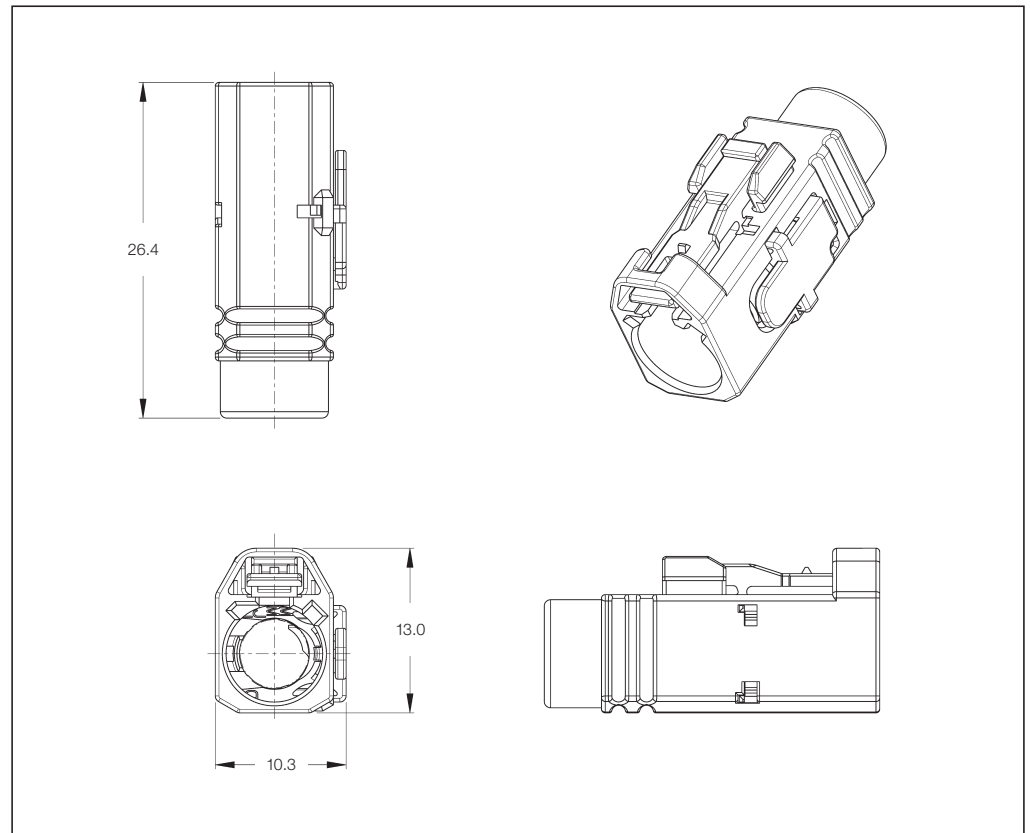
Technical Features

No. of Positions:
1 Position Plug Housing

Housing Material:
PBT-GF

Product Specification:
108-18897-1

Application Specification:
114-18609-1



1 Position Plug Housings

Keying Options	Housing Color	Part Numbers		
		Plug Kit	Contacts* (Available for Cable Type)	Mating Jack Kit
A	Jet Black	1452584-1	RTK 031 RG 174 75 Ohm Cable Low Loss	1452581-1
B	Signal White	1452584-2		1452581-2
C	Signal Blue	1452584-3		1452581-3
D	Claret Violet	1452584-4		1452581-4
E	Leaf Green	1452584-5		1452581-5
F	Nut Brown	1452584-6		1452581-6
G	Blue Gray	1452584-7		1452581-7
H	Heather Violet	1452584-8		1452581-8
I	Beige	1452584-9		1452581-9
K	Curry	1-1452584-0		1-1452581-0
Z	Water Blue	1-1452584-1		1-1452581-1

*) Contacts must be purchased separately.

1 Position Jack Housing

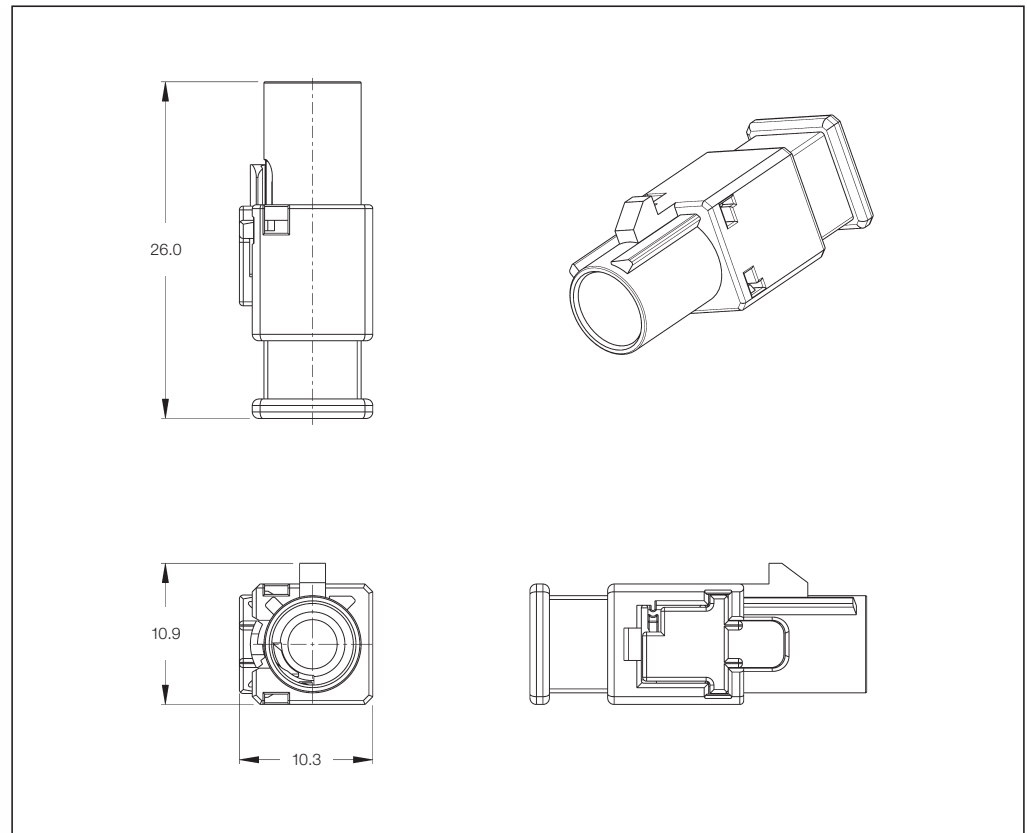
Technical Features

No. of Positions:
1 Position Jack Housing

Housing Material:
PBT GF10

Product Specification:
108-18897-1

Application Specification:
114-18609-1



1 Position Jack Housings

Keying Options	Housing Color	Part Numbers		
		Jack Kit	Contacts* (Available for Cable Type)	Mating Plug Kit
A	Jet Black	1452581-1	75 Ohm Cable Low Loss	1452584-1
B	Signal White	1452581-2		1452584-2
C	Signal Blue	1452581-3		1452584-3
D	Claret Violet	1452581-4		1452584-4
E	Leaf Green	1452581-5		1452584-5
F	Nut Brown	1452581-6		1452584-6
G	Blue Gray	1452581-7		1452584-7
H	Heather Violet	1452581-8		1452584-8
I	Beige	1452581-9		1452584-9
K	Curry	1-1452581-0		1-1452584-0
Z	Water Blue	1-1452581-1		1-1452584-1

*) Contacts must be purchased separately.

2 Positions 8.0 mm Plug Housing with Mounting Feature

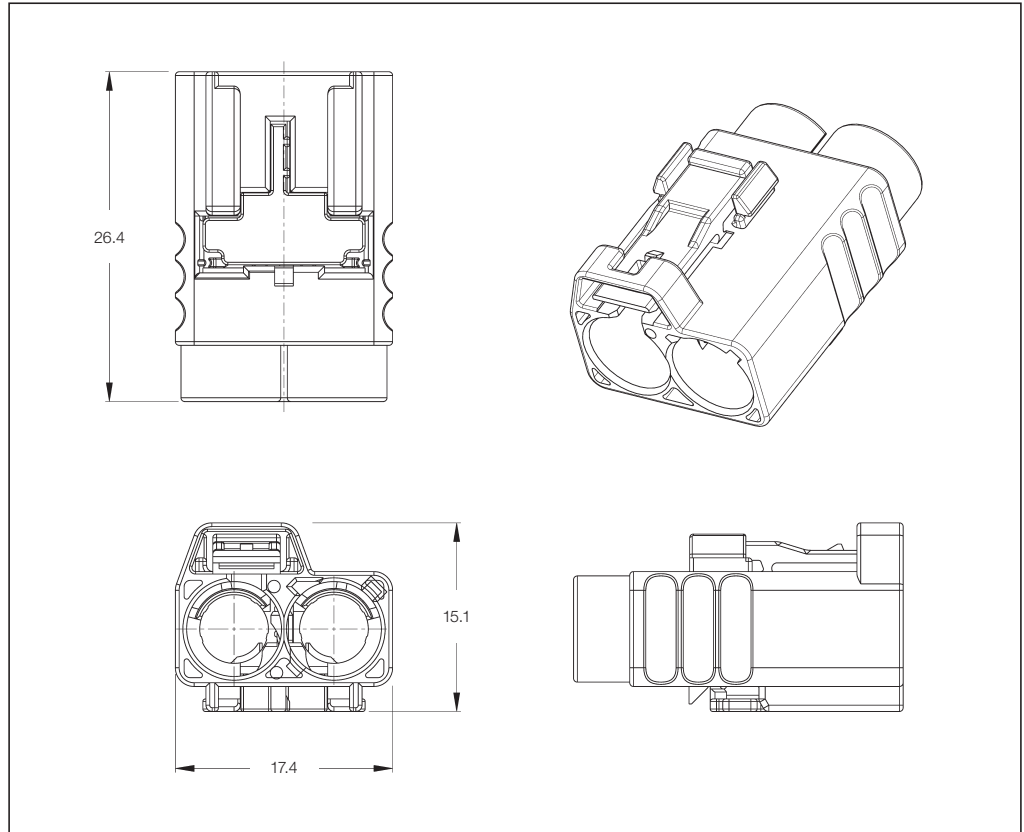
Technical Features

No. of Positions:
2 Positions 8.0 mm Plug Housing
with Mounting Feature

Housing Material:
PBT GF10

Product Specification:
108-18897-1

Application Specification:
114-18609-1



2 Positions Plug Housing with Mounting Feature

Keying Options	Housing Color	Part Numbers		
		Plug Kit	Contacts* (Available for Cable Type)	Mating Jack Kit
A	Jet Black	2-1452483-1		1452480-1
B	Signal White	2-1452483-2		1452480-2
C	Signal Blue	2-1452483-3		1452480-3
D	Claret Violet	2-1452483-4		1452480-4
E	Leaf Green	2-1452483-5	RTK 031	1452480-5
F	Nut Brown	2-1452483-6	RG 174	1452480-6
G	Blue Gray	2-1452483-7	75 Ohm Cable	1452480-7
H	Heather Violet	2-1452483-8	Low Loss	1452480-8
I	Beige	2-1452483-9		1452480-9
K	Curry	3-1452483-0		1-1452480-0
Z	Water Blue	3-1452483-1		1-1452480-1

*) Contacts must be purchased separately.

2 Positions 8.0 mm Plug Housing without Mounting Feature

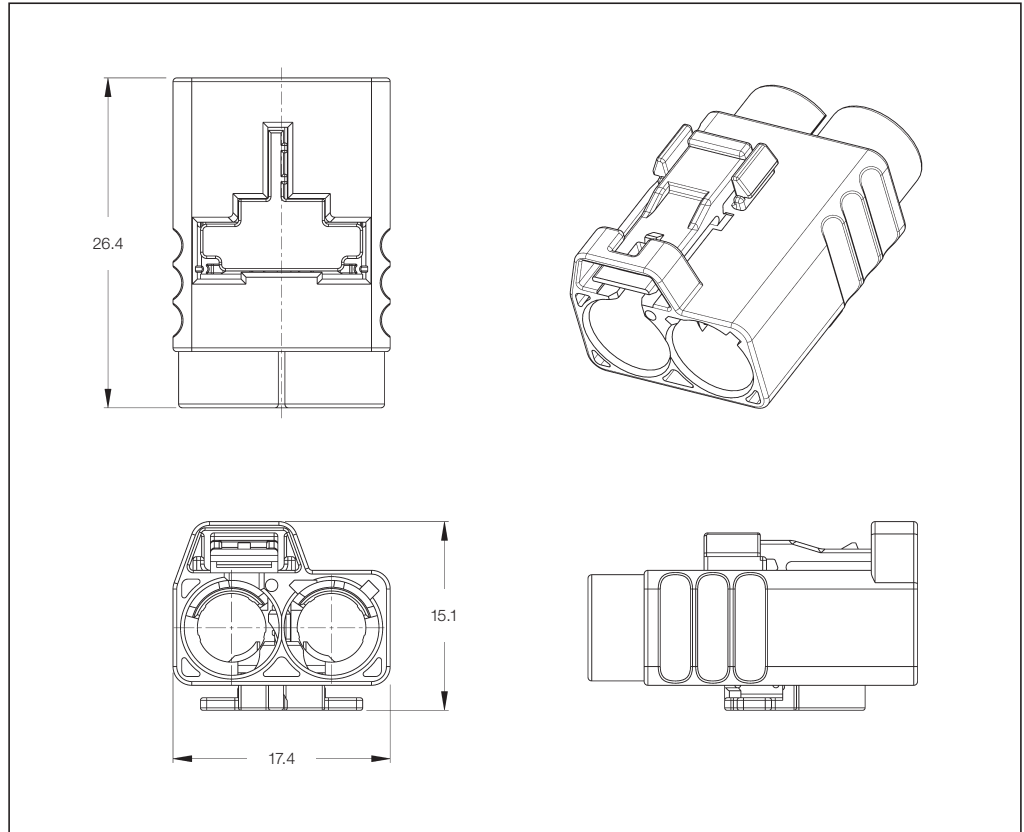
Technical Features

No. of Positions:
2 Positions 8.0 mm Plug Housing
without Mounting Feature

Housing Material:
PBT GF10

Product Specification:
108-18897-1

Application Specification:
114-18609-1



2 Positions Plug Housing without Mounting Feature

Keying Options	Housing Color	Part Numbers		
		Plug Kit	Contacts* (Available for Cable Type)	Mating Jack Kit
A	Jet Black	1452483-1		1452480-1
B	Signal White	1452483-2		1452480-2
C	Signal Blue	1452483-3		1452480-3
D	Claret Violet	1452483-4		1452480-4
E	Leaf Green	1452483-5	RTK 031	1452480-5
F	Nut Brown	1452483-6	RG 174	1452480-6
G	Blue Gray	1452483-7	75 Ohm Cable	1452480-7
H	Heather Violet	1452483-8	Low Loss	1452480-8
I	Beige	1452483-9		1452480-9
K	Curry	1-1452483-0		1-1452480-0
Z	Water Blue	1-1452483-1		1-1452480-1

*) Contacts must be purchased separately.

2 Positions 8.0 mm Jack Housing

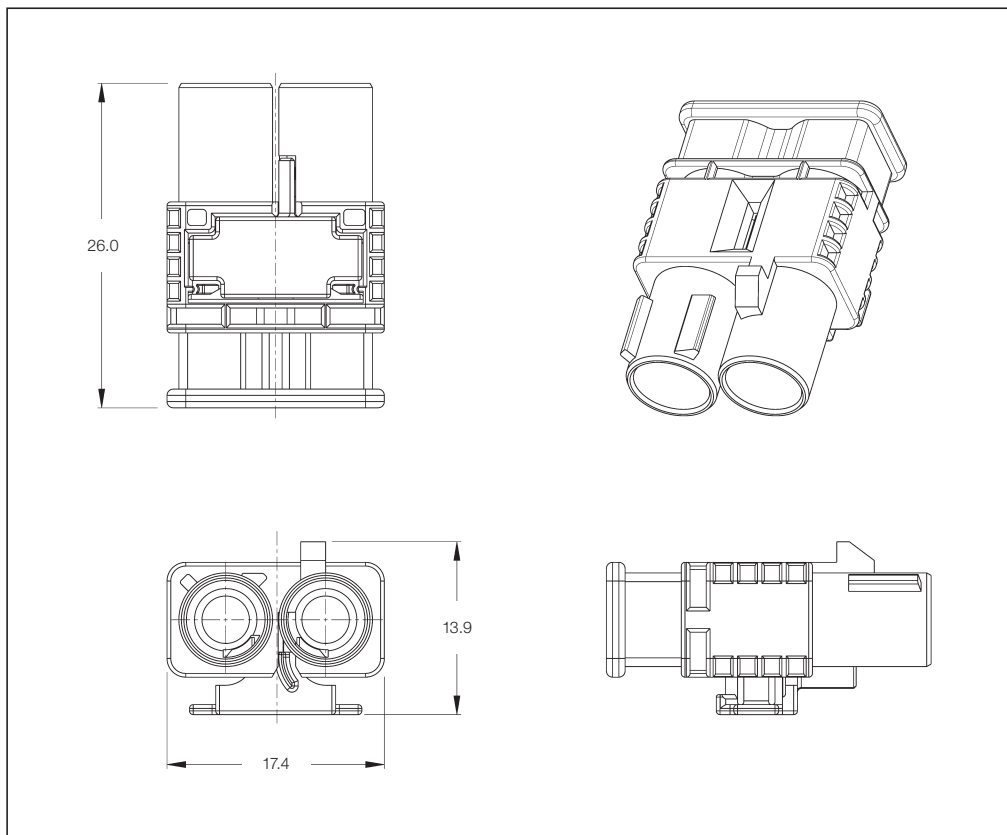
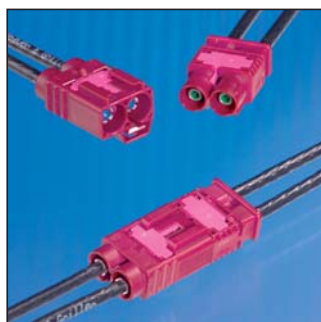
Technical Features

No. of Positions:
2 Positions 8.0 mm Jack Housing

Housing Material:
PBT GF10

Product Specification:
108-18897-1

Application Specification:
114-18609-1



2 Positions 8.0 mm Jack Housing

Keying Options	Housing Color	Part Numbers		
		Jack Kit	Contacts* (Available for Cable Type)	Mating Plug Kit
A	Jet Black	1452480-1		1452483-1
B	Signal White	1452480-2		1452483-2
C	Signal Blue	1452480-3		1452483-3
D	Claret Violet	1452480-4		1452483-4
E	Leaf Green	1452480-5	RTK 031	1452483-5
F	Nut Brown	1452480-6	RG 174	1452483-6
G	Blue Gray	1452480-7	75 Ohm Cable	1452483-7
H	Heather Violet	1452480-8	Low Loss	1452483-8
I	Beige	1452480-9		1452483-9
K	Curry	1-1452480-0		1-1452483-0
Z	Water Blue	1-1452480-1		1-1452483-1

*) Contacts must be purchased separately.

2 Positions 12.7 mm Plug Housing

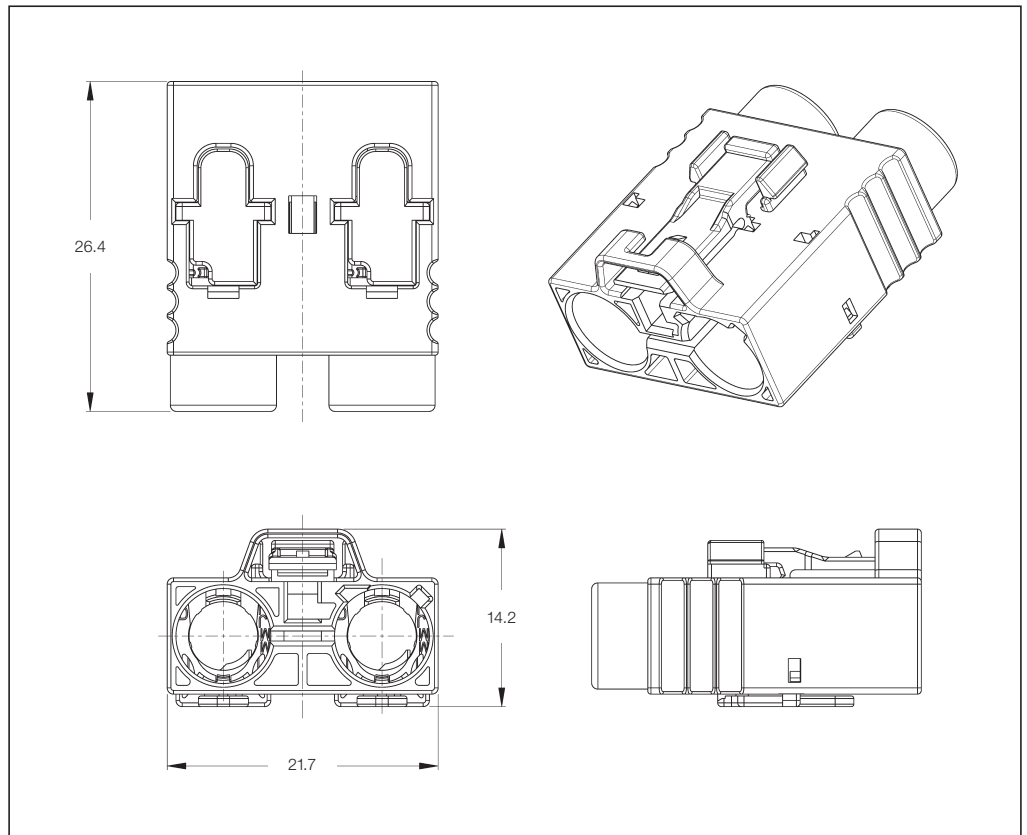
Technical Features

No. of Positions:
2 Positions Plug Kit,
unassembled

Housing Material:
PBT GF10

Product Specification:
108-18897-1

Application Specification:
114-18609-1



2 Positions 12.7 mm Plug Housing

Keying Options	Housing Color	Part Numbers		
		Plug Kit	Contacts* (Available for Cable Type)	Mating Jack Kit
A	Jet Black	1452587-1		1452697-1
B	Signal White	1452587-2		1452697-2
C	Signal Blue	1452587-3		1452697-3
D	Claret Violet	1452587-4		1452697-4
E	Leaf Green	1452587-5	RTK 031	1452697-5
F	Nut Brown	1452587-6	RG 174	1452697-6
G	Blue Gray	1452587-7	75 Ohm Cable	1452697-7
H	Heather Violet	1452587-8	Low Loss	1452697-8
I	Beige	1452587-9		1452697-9
K	Curry	1-1452587-0		1-1452697-0
Z	Water Blue	1-1452587-1		1-1452697-1

*) Contacts must be purchased separately.

2 Positions 12.7 mm Jack Housing

Technical Features

No. of Positions:

2 Positions Jack Kit,
unassembled

Housing Material:

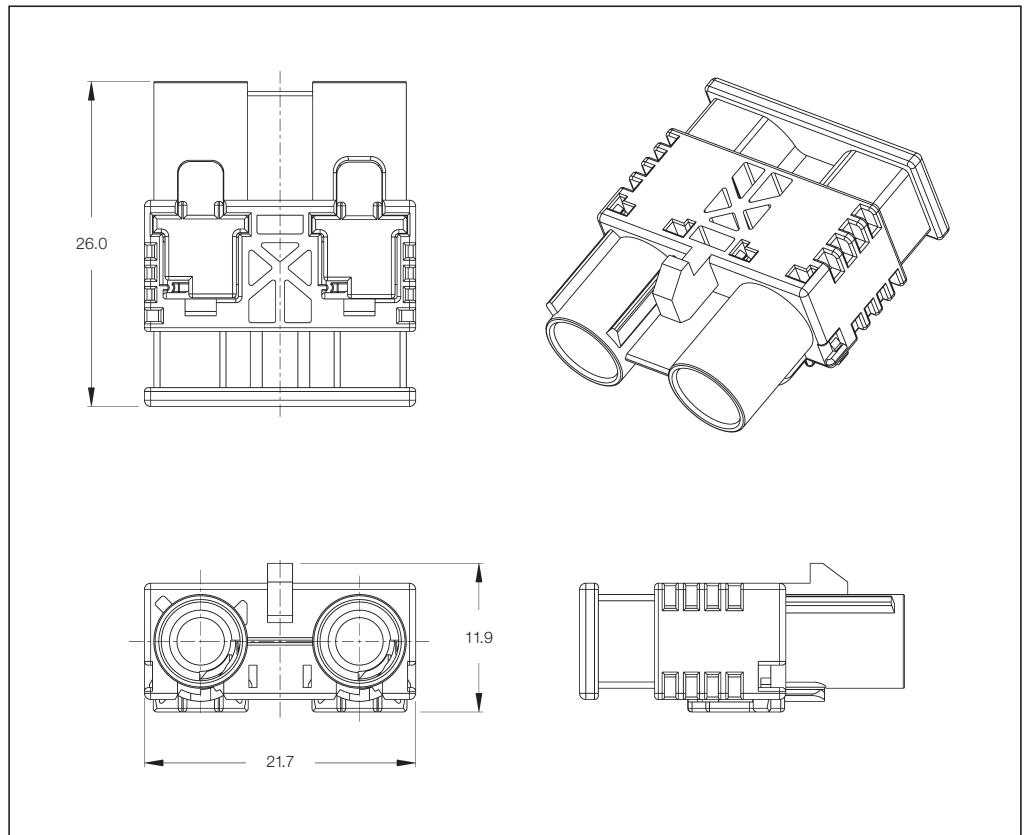
PBT GF10

Product Specification:

108-18897-1

Application Specification:

114-18609-1



2 Positions 12.7 mm Jack Housing

Keying Options	Housing Color	Part Numbers		
		Jack Kit	Contacts* (Available for Cable Type)	Mating Plug Kit
A	Jet Black	1452697-1		1452587-1
B	Signal White	1452697-2		1452587-2
C	Signal Blue	1452697-3		1452587-3
D	Claret Violet	1452697-4		1452587-4
E	Leaf Green	1452697-5	RTK 031	1452587-5
F	Nut Brown	1452697-6	RG 174	1452587-6
G	Blue Gray	1452697-7	75 Ohm Cable	1452587-7
H	Heather Violet	1452697-8	Low Loss	1452587-8
I	Beige	1452697-9		1452587-9
K	Curry	1-1452697-0		1-1452587-0
Z	Water Blue	1-1452697-1		1-1452587-1

*) Contacts must be purchased separately.

1 Position 90° Non-Turnable Plug Housing

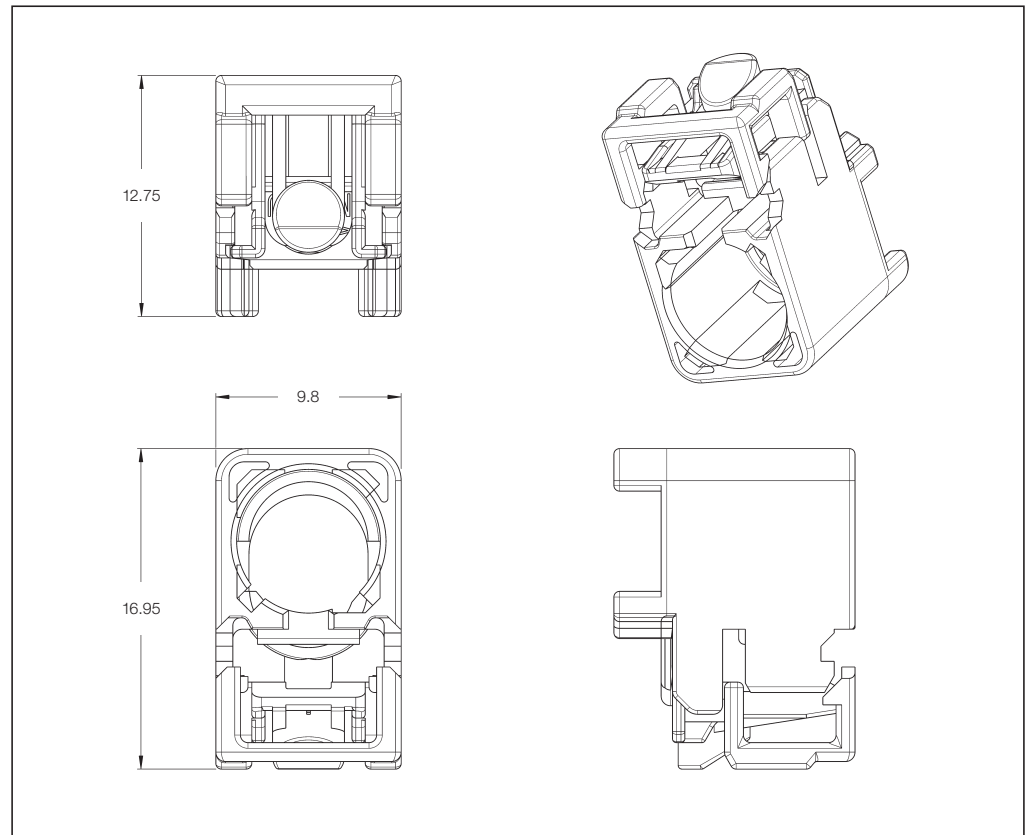
Technical Features

No. of Positions:
1 Position 90° Non-Turnable
Plug Housing

Housing Material:
PBT GF10

Product Specification:
108-18897-1

Application Specification:
114-18803-1



1 Position 90° Non-Turnable Plug Housing

Keying Options	Housing Color	Part Numbers		
		Plug Kit	Contacts* (Available for Cable Type)	Mating Jack Kit
A	Jet Black	1719261-1		1452581-1
B	Signal White	1719261-2		1452581-2
C	Signal Blue	1719261-3		1452581-3
D	Claret Violet	1719261-4		1452581-4
E	Leaf Green	1719261-5	RTK 031	1452581-5
F	Nut Brown	1719261-6	RG 174	1452581-6
G	Blue Gray	1719261-7	75 Ohm Cable	1452581-7
H	Heather Violet	1719261-8	Low Loss	1452581-8
I	Beige	1719261-9		1452581-9
K	Curry	1-1719261-0		1-1452581-0
Z	Water Blue	1-1719261-1		1-1452581-1
M	Pastel Orange	1-1719261-3		N/A

*) Contacts must be purchased separately.

1 Position 90° Turnable Plug Housing

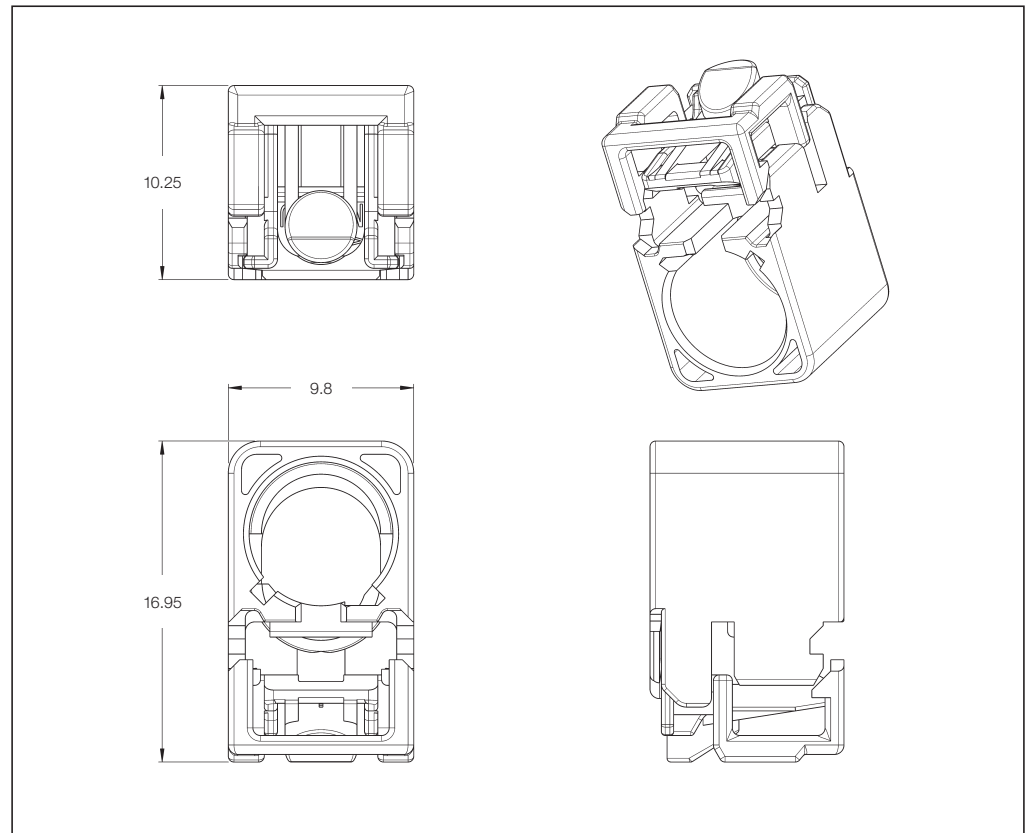
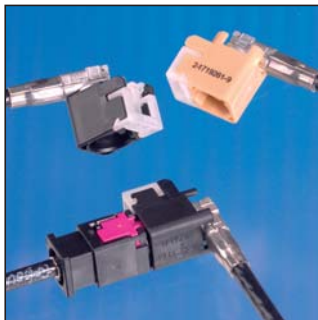
Technical Features

No. of Positions:
1 Position 90° Turnable
Plug Housing

Housing Material:
PBT GF10

Product Specification:
108-18897-1

Application Specification:
114-18803-1



1 Position 90° Turnable Plug Housing

Keying Options	Housing Color	Part Numbers		
		Plug Kit	Contacts* (Available for Cable Type)	Mating Jack Kit
A	Jet Black	2-1719261-1		1452581-1
B	Signal White	2-1719261-2		1452581-2
C	Signal Blue	2-1719261-3		1452581-3
D	Claret Violet	2-1719261-4		1452581-4
E	Leaf Green	2-1719261-5	RTK 031	1452581-5
F	Nut Brown	2-1719261-6	RG 174	1452581-6
G	Blue Gray	2-1719261-7	75 Ohm Cable	1452581-7
H	Heather Violet	2-1719261-8	Low Loss	1452581-8
I	Beige	2-1719261-9		1452581-9
K	Curry	3-1719261-0		1-1452581-0
Z	Water Blue	3-1719261-1		1-1452581-1
M	Pastel Orange	3-1719261-3		N/A

*) Contacts must be purchased separately.

1 Position Printed Circuit Board Header 180° Version

Technical Features

Contact Material

Center Contact:

CuZn

Dielectric:

PA

Outer Contact:

Zn-cast

Surface Finish

Center Contact:

Au

Outer Contact:

Sn

Rating

Frequency Range:

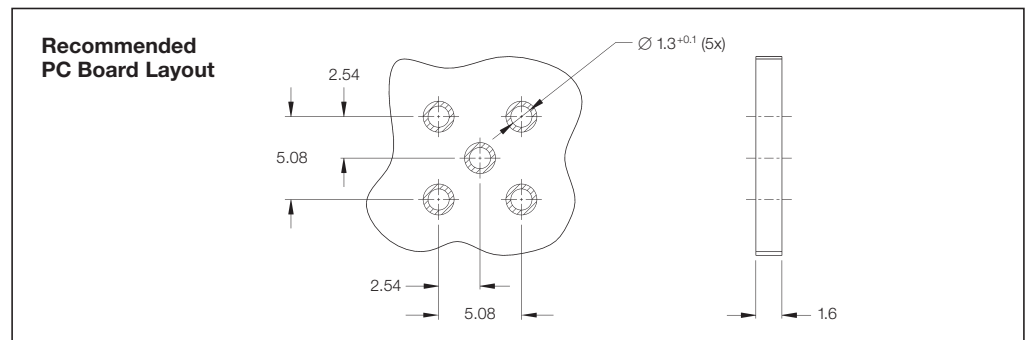
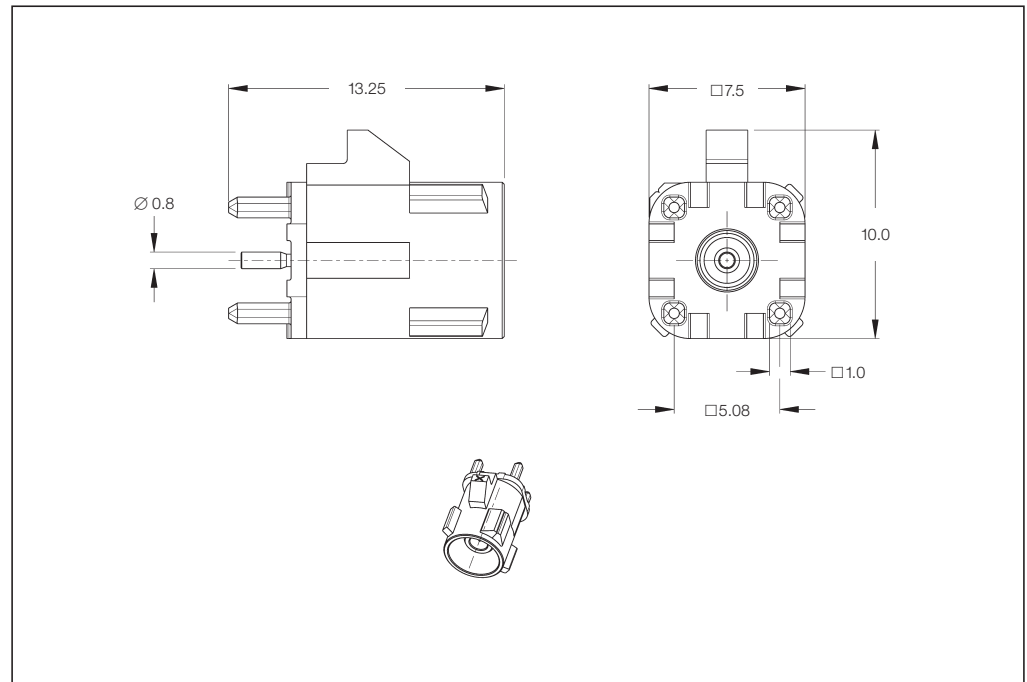
0 to 6,000 MHz

Product Specification:

108-18079

Application Specification:

114-18862



1 Position Printed Circuit Board Header 180° Version

No. of Positions	Housing Color	PCB Jack	Mating Receptacle Part Numbers						
			Terminal	Housing	Cover	Type			
1	See Customer Drawing	1703339-1/-9 1-1703339-1 See Customer Drawing	1488155-1	1452484-1/-9 1-1452484-1 See Customer Drawing	-	180°			
			1488155-2						
			1719791-1						
			1719791-2						
			1488175-1						
			1488175-2						
			1719792-1						
			1719792-2						
			1719655-1				Assy x-1719261-x	-	90°
			1719252-1				Assy x-1719261-x	-	90°
	1718080-2	x-1718030-x	1718030	90°					

Note: All Part Numbers are RoHS and ELV compliant.

1 Position Printed Circuit Board Header 90° Version

Technical Features

Contact Material

Center Contact:

CuZn

Dielectric:

PA

Outer Contact:

Zn-cast

Surface Finish

Center Contact:

Au

Outer Contact:

Sn

Rating

Frequency Range:

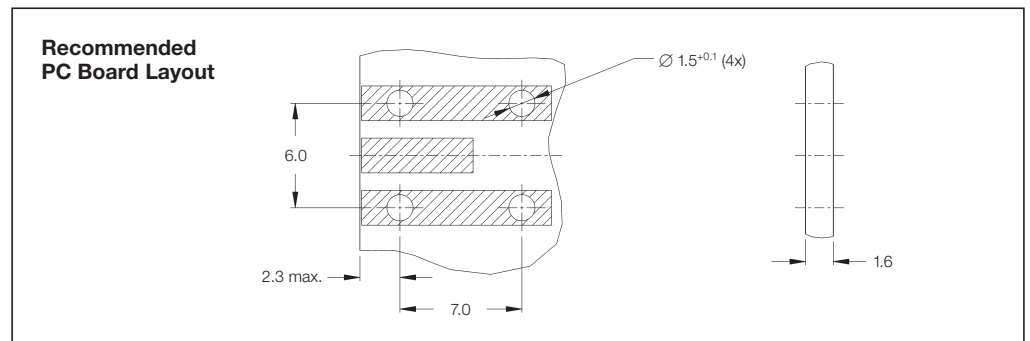
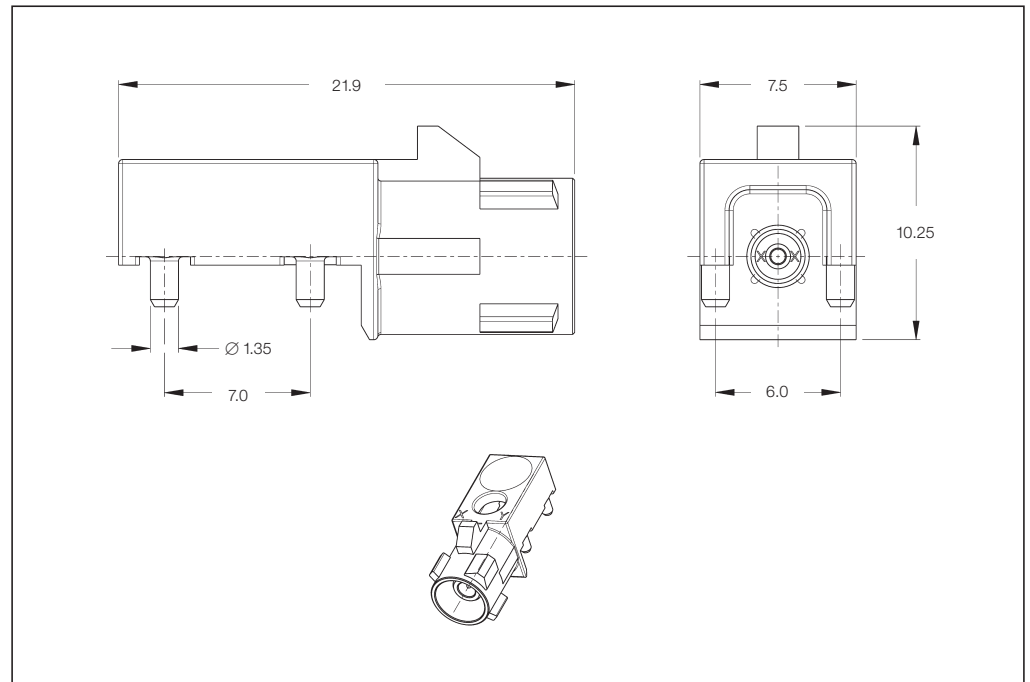
0 to 6,000 MHz

Product Specification:

108-18079

Application Specification:

114-18862



1 Position Printed Circuit Board Header 90° Version

No. of Positions	Housing Color	PCB Jack	Mating Receptacle Part Numbers						
			Terminal	Housing	Cover	Type			
1	See Customer Drawing	1670861-1/-9 1-1670861-1 See Customer Drawing	1488155-1	1452484-1/-9 1-1452484-1 See Customer Drawing	-	180°			
			1488155-2						
			1719791-1						
			1719791-2						
			1488175-1						
			1488175-2						
			1719792-1						
			1719792-2						
			1719655-1				Assy x-1719261-x	-	90°
			1719252-1				Assy x-1719261-x	-	90°
			1718080-2				x-1718030-x	1718030	90°

*) Other cable types have to be released by Tyco Electronics Product Engineering.

Note: All Part Numbers are RoHS and ELV compliant.

2 Positions Printed Circuit Board Header 180° Version

Technical Features

Contact Material

Center Contact:

CuZn

Dielectric:

PA

Outer Contact:

Zn-cast

Surface Finish

Center Contact:

Au

Outer Contact:

Sn

Rating

Frequency Range:

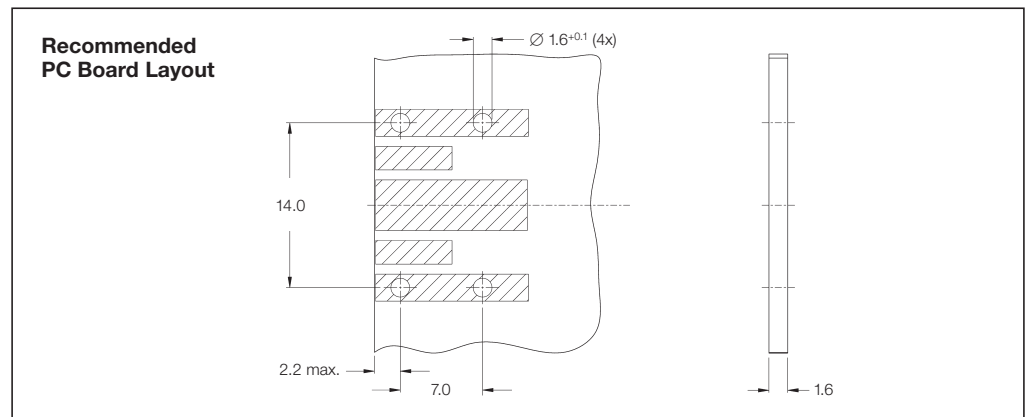
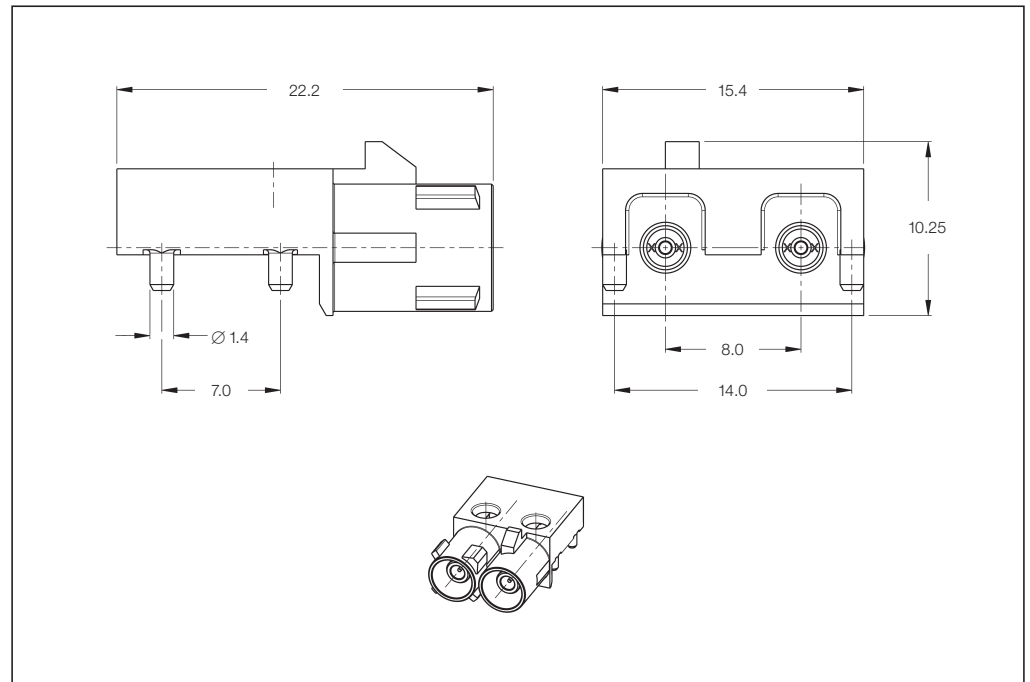
0 to 6,000 MHz

Product Specification:

108-18079

Application Specification:

114-18862



2 Positions Printed Circuit Board Header 180° Version

No. of Positions	Housing Color	PCB Jack	Mating Receptacle Part Numbers		
			Terminal	Housing	Type
2	See Customer Drawing	1670607-1/-9 1-1670607-1 See Customer Drawing	1488155-1 (two times)	1452483-1/-9 1-1452483-1 See Customer Drawing	180°
			1488155-2 (two times)		
			1719791-1 (two times)		
			1719791-2 (two times)		
			1488175-1 (two times)		
			1488175-2 (two times)		
			1719792-1 (two times)		
			1719792-2 (two times)		

*) Other cable types have to be released by Tyco Electronics Product Engineering.

Note: All Part Numbers are RoHS and ELV compliant.

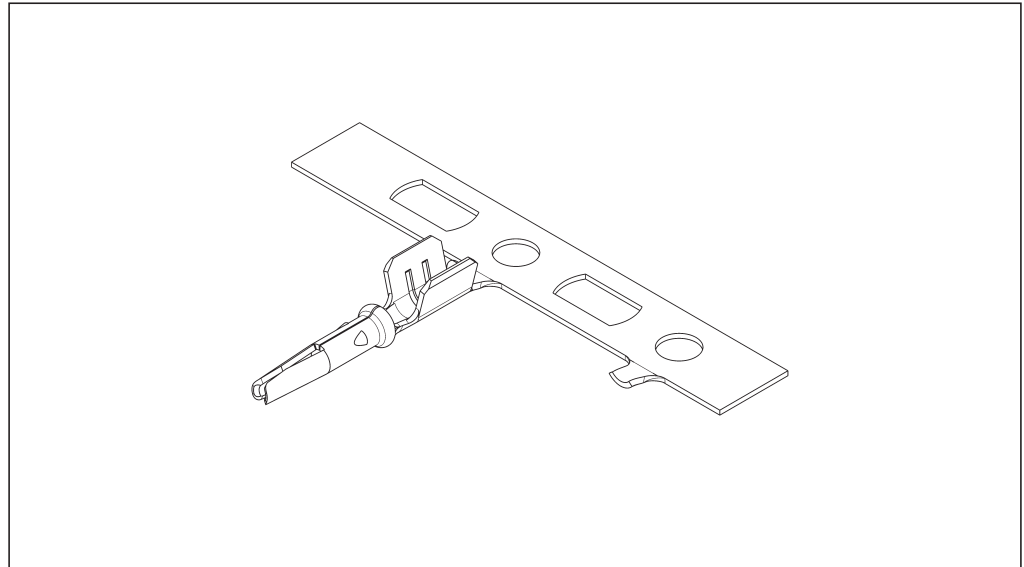
Engineering Notes



Socket Contacts SMB

Technical Features

- Contact Material:**
Phosphor Bronze
- Contact Finish:**
Gold over Nickel
- Current Rating:**
1 Ampere max.
- Temperature Range:**
-40 °C to +85 °C
- Wire Size Range:**
See Chart
- Product Specification:**
DIN 72594-1
- Application Specification:**
114-13157



Cable Types RG 58/RG 58LL

Cable Type	Material and Finish	Part Numbers					
		Strip Form	Package Quantity	Loose-Piece	Package Quantity	Applicator	Hand Tool
RG 58 RG 58LL	Phosphor Bronze, Gold over Nickel	1438896-2	15,000	N/A	N/A	1385456-3	N/A

Cable Types RG 174/RG 174LL/RG 316/1.5DS

Cable Type	Material and Finish	Part Numbers					
		Strip Form	Package Quantity	Loose-Piece	Package Quantity	Applicator	Hand Tool
RG 174 RG 174LL RG 316 1.5DS	Phosphor Bronze, Gold over Nickel	1438896-4	15,000	N/A	N/A	1385675-3	N/A

Cable Types RG 62/RG 71/RG 59/59 Mini

Cable Type	Material and Finish	Part Numbers					
		Strip Form	Package Quantity	Loose-Piece	Package Quantity	Applicator	Hand Tool
RG 62 RG 71 RG 59 59 Mini	Phosphor Bronze, Gold over Nickel	1438896-4	15,000	N/A	N/A	680900-1 or 1385623-3	N/A

Cable Types RG 62U/M/RG 71U/M/RG 179

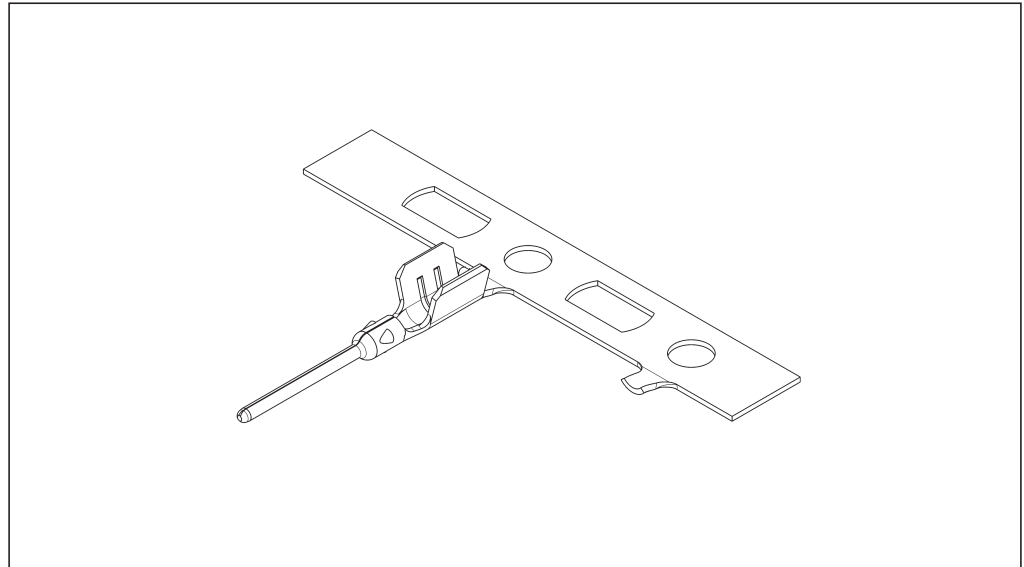
Cable Type	Material and Finish	Part Numbers					
		Strip Form	Package Quantity	Loose-Piece	Package Quantity	Applicator	Hand Tool
RG 62U/M RG 71U/M RG 179	Phosphor Bronze, Gold over Nickel	1438896-6	15,000	N/A	N/A	680900-1 or 1385624-3	N/A

Note: All Part Numbers are RoHS and ELV compliant.

Pin Contacts SMB

Technical Features

- Contact Material:**
Phosphor Bronze
- Contact Finish:**
Gold over Nickel
- Current Rating:**
1 Ampere max.
- Temperature Range:**
-40 °C to +85 °C
- Wire Size Range:**
See Chart
- Product Specification:**
DIN 72594-1
- Application Specification:**
114-13157



Cable Types RG 58/RG 58LL

Cable Type	Material and Finish	Part Numbers					
		Strip Form	Package Quantity	Loose-Piece	Package Quantity	Applicator	Hand Tool
RG 58 RG 58LL	Phosphor Bronze, Gold over Nickel	1438890-7	15,000	N/A	N/A	1385456-3	N/A

Cable Types RG 174/RG 174LL/RG 316/1.5DS

Cable Type	Material and Finish	Part Numbers					
		Strip Form	Package Quantity	Loose-Piece	Package Quantity	Applicator	Hand Tool
RG 174 RG 174LL RG 316 1.5DS	Phosphor Bronze, Gold over Nickel	1438890-8	15,000	N/A	N/A	1385675-3	N/A

Cable Types RG 62/RG 71/RG 59/59 Mini

Cable Type	Material and Finish	Part Numbers					
		Strip Form	Package Quantity	Loose-Piece	Package Quantity	Applicator	Hand Tool
RG 62 RG 71 RG 59 59 Mini	Phosphor Bronze, Gold over Nickel	1438890-8	15,000	N/A	N/A	680900-1 or 1385623-3	N/A

Cable Types RG 62U/M/RG 71U/M/RG 179

Cable Type	Material and Finish	Part Numbers					
		Strip Form	Package Quantity	Loose-Piece	Package Quantity	Applicator	Hand Tool
RG 62U/M RG 71U/M RG 179	Phosphor Bronze, Gold over Nickel	1438890-9	15,000	N/A	N/A	680900-1 or 1385624-3	N/A

Note: All Part Numbers are RoHS and ELV compliant.

1 Position Jack Kit for RG 62

Technical Features

No. of Positions:

1 Position Jack Kit,
Unassembled

Housing Material:

Polyester PBT

Wire Size Range:

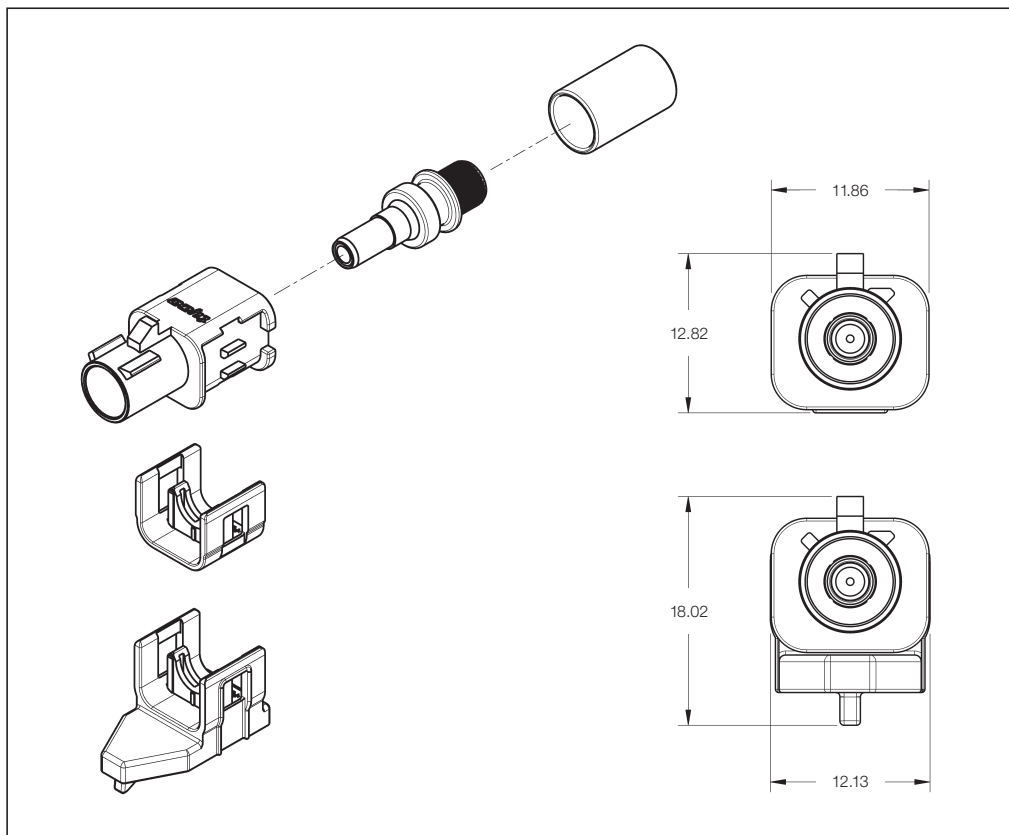
RG 62

Product Specification:

DIN 72594-1

Application Specification:

114-13157



1 Position Jack Kit

Keying Options	Housing Color	Part Numbers		
		Jack Kit	Contacts*	Mating Plug Kit
A	Jet Black	1438891-1	1438890-8	1438897-1 or
		5-1438891-1		1438904-1
B	Signal White	1438891-2		1438897-2 or
		5-1438891-2		1438904-2
C	Signal Blue	1438891-3		1438897-3 or
		5-1438891-3		1438904-3
D	Claret Violet	1438891-4		1438897-4 or
		5-1438891-4		1438904-4
F	Nut Brown	1438891-6		1438897-6 or
		5-1438891-6		1438904-6
H	Heather Violet	1438891-8		1438897-8 or
		5-1438891-8		1438904-8
K	Curry	1-1438891-0		1-1438897-0 or
		6-1438891-0		1-1438904-4

*) Pin Contact Part No. 1438890-8 must be purchased separately.
5-xxx or 6-xxx indicates body clip slot on lock.

1 Position Jack Kit for RG 58, RG 58 Low Loss and RG 59 Mini

Technical Features

No. of Positions:

1 Position Jack Kit,
Unassembled

Housing Material:

Polyester PBT

Wire Size Range:

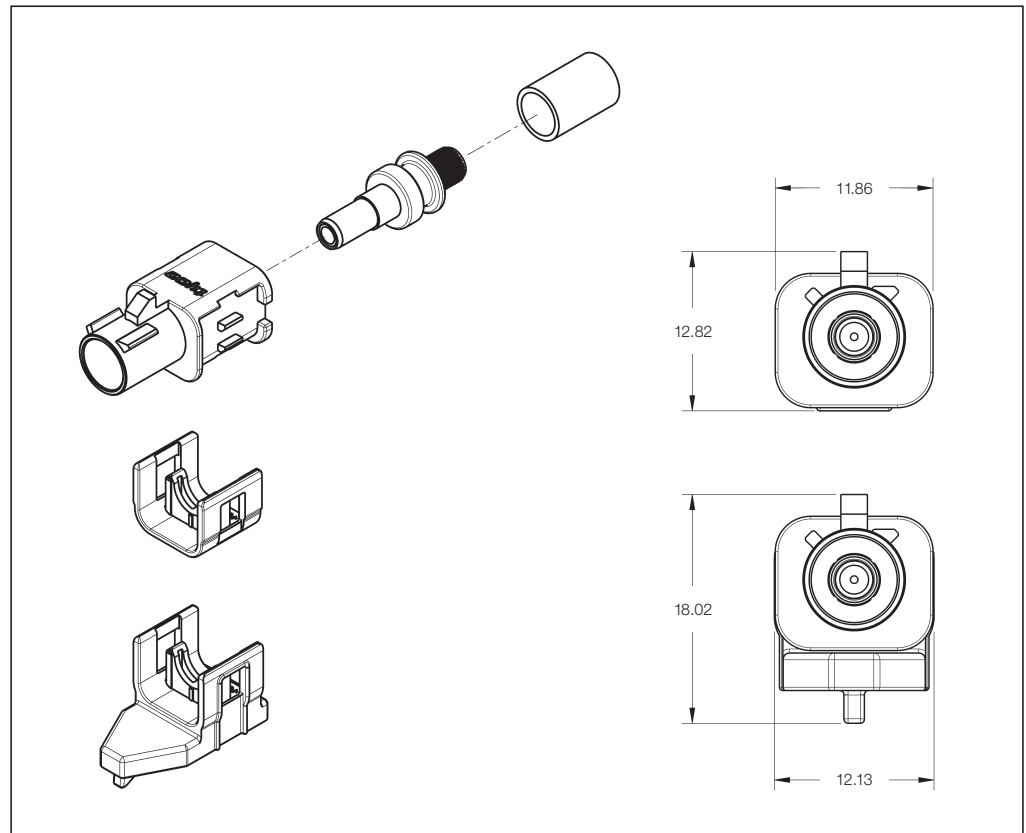
RG 58, RG 58 Low Loss
and RG 59 Mini

Product Specification:

DIN 72594-1

Application Specification:

114-13157



1 Position Jack Kit

Keying Options	Housing Color	Part Numbers		
		Jack Kit	Contacts*	Mating Plug Kit
A	Jet Black	1438911-1	1438890-7 or 1438890-8	1438919-1 or
		5-1438911-1		1438920-1
B	Signal White	1438911-2		1438919-2 or
		5-1438911-2		1438920-2
C	Signal Blue	1438911-3		1438919-3 or
		5-1438911-3		1438920-3
D	Claret Violet	1438911-4		1438919-4 or
		5-1438911-4		1438920-4
F	Nut Brown	1438911-6		1438919-6 or
		5-1438911-6		1438920-6
H	Heather Violet	1438911-8		1438919-8 or
		5-1438911-8		1438920-8
K	Curry	1-1438911-0		1-1438919-0 or
		6-1438911-0		1-1438920-4

*) Pin Contact Part No. 1438890-7 must be purchased separately for RG 58 and RG 58LL.
Pin Contact Part No. 1438890-8 must be purchased separately for RG 59 Mini.
5-xxx or 6-xxx indicates body clip slot on lock.

1 Position Jack Kit for RG 316, RG 174 and RG 179

Technical Features

No. of Positions:

1 Position Jack Kit,
Unassembled

Housing Material:

Polyester PBT

Wire Size Range:

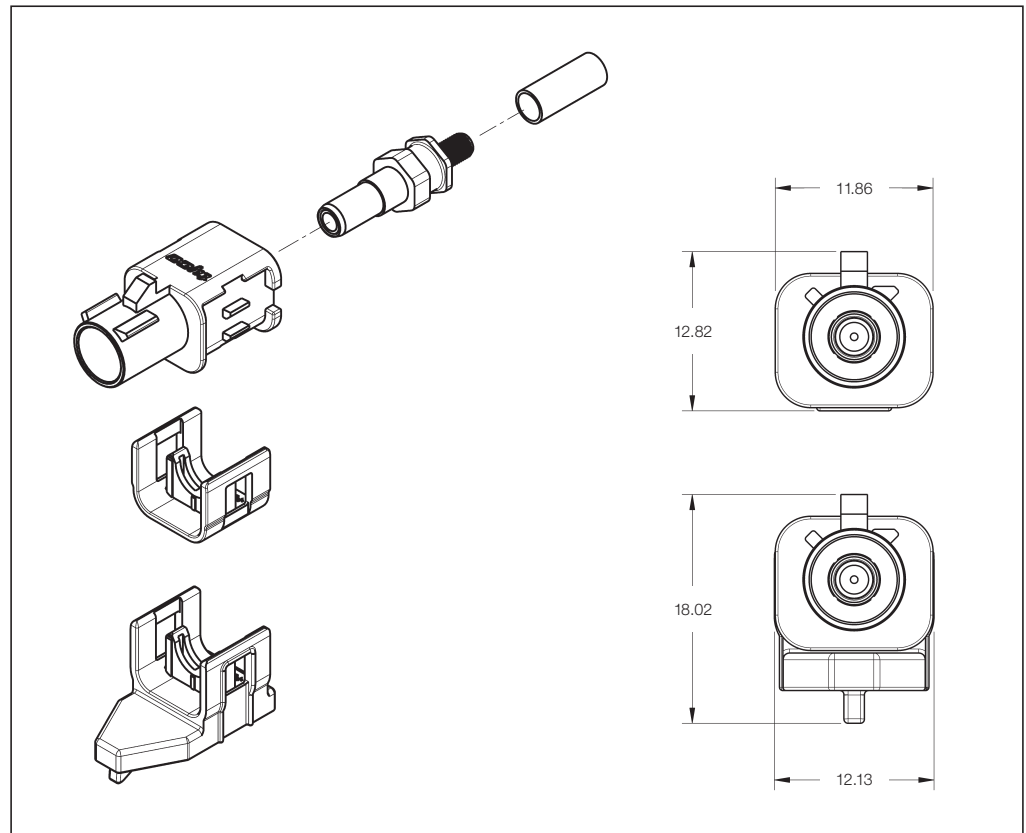
RG 316, RG 174 and RG 179

Product Specification:

DIN 72594-1

Application Specification:

114-13157



1 Position Jack Kit

Keying Options	Housing Color	Part Numbers		
		Jack Kit	Contacts*	Mating Plug Kit
A	Jet Black	1438912-1	1438890-8 or 1438890-9	1924792-1 or
		5-1438912-1		2035141-1
B	Signal White	1438912-2		1924792-2 or
		5-1438912-2		2035141-2
C	Signal Blue	1438912-3		1924792-3 or
		5-1438912-3		2035141-3
D	Claret Violet	1438912-4		1924792-4 or
		5-1438912-4		2035141-4
F	Nut Brown	1438912-6		1924792-6 or
		5-1438912-6		2035141-6
H	Heather Violet	1438912-8		1924792-8 or
		5-1438912-8		2035141-8
K	Curry	1-1438912-0	1-1924792-0 or	
		6-1438912-0	1-2035141-4	

*) Pin Contact Part No. 1438890-8 must be purchased separately for RG 316 and RG 174.
Pin Contact Part No. 1438890-9 must be purchased separately for RG 179.
5-xxx or 6-xxx indicates body clip slot on lock.

1 Position Jack Kit for RG 62U/M

Technical Features

No. of Positions:

1 Position Jack Kit,
Unassembled

Housing Material:

Polyester PBT

Wire Size Range:

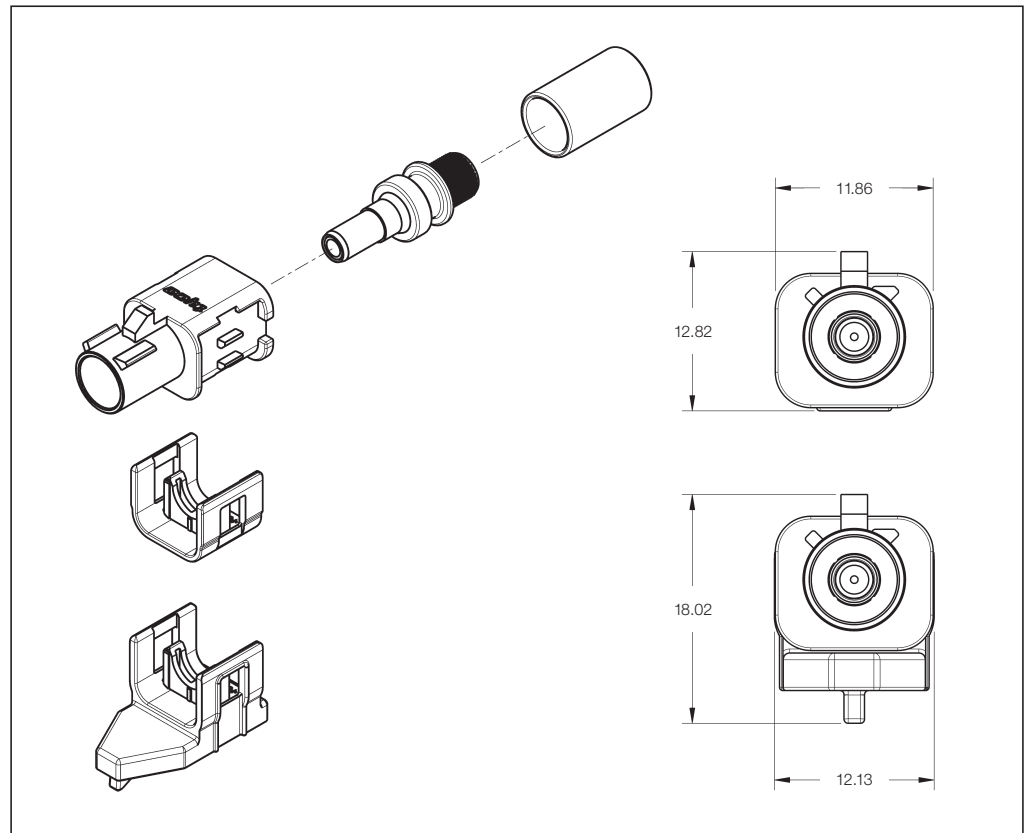
RG 62U/M

Product Specification:

DIN 72594-1

Application Specification:

114-13157



1 Position Jack Kit

Keying Options	Housing Color	Part Numbers		
		Jack Kit	Contacts*	Mating Plug Kit
A	Jet Black	1438924-1	1438890-9	1438922-1 or
		5-1438924-1		1438923-1
B	Signal White	1438924-2		1438922-2 or
		5-1438924-2		1438923-2
C	Signal Blue	1438924-3		1438922-3 or
		5-1438924-3		1438923-3
D	Claret Violet	1438924-4		1438922-4 or
		5-1438924-4		1438923-4
F	Nut Brown	1438924-6		1438922-6 or
		5-1438924-6		1438923-6
H	Heather Violet	1438924-8		1438922-8 or
		5-1438924-8		1438923-8
K	Curry	1-1438924-0		1-1438922-0 or
		6-1438924-0		1-1438923-4

*) Pin Contact Part No. 1438890-9 must be purchased separately.
5-xxx or 6-xxx indicates body clip slot on lock.

1 Position Jack Kit for RG 71

Technical Features

No. of Positions:

1 Position Jack Kit,
Unassembled

Housing Material:

Polyester PBT

Wire Size Range:

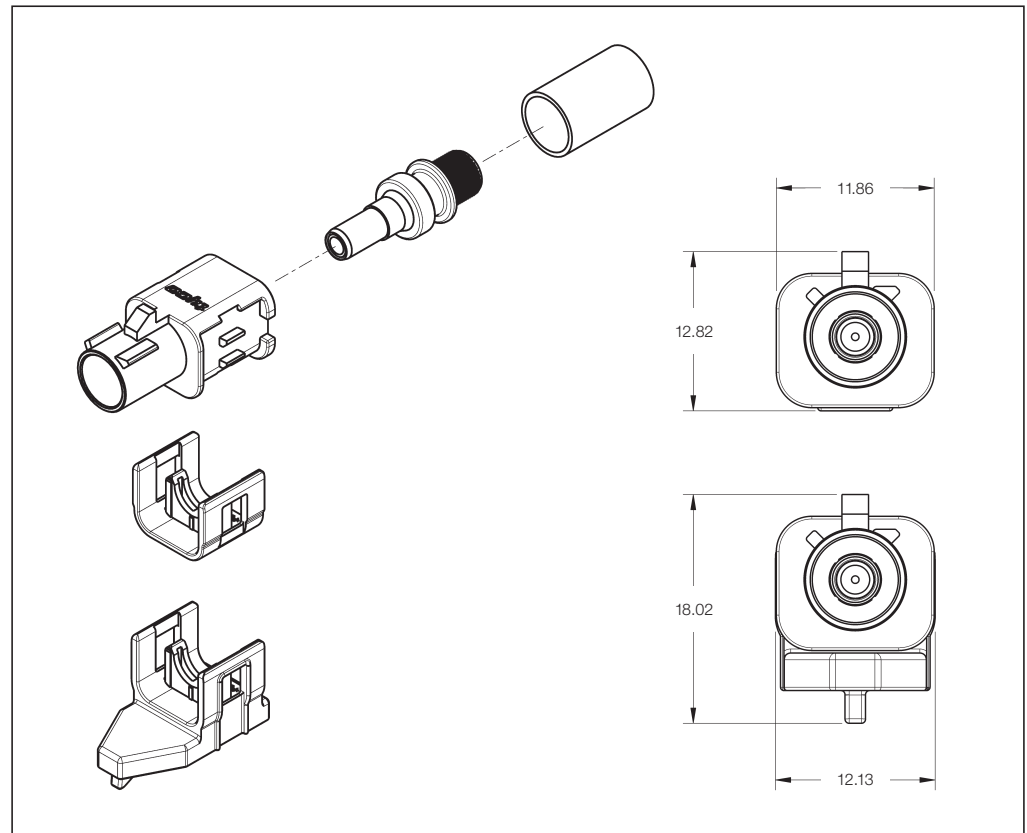
RG 71

Product Specification:

DIN 72594-1

Application Specification:

114-13157



1 Position Jack Kit

Keying Options	Housing Color	Part Numbers		
		Jack Kit	Contacts*	Mating Plug Kit
A	Jet Black	1438957-1	1438890-8	1438955-1 or
		5-1438957-1		1438956-1
B	Signal White	1438957-2		1438955-2 or
		5-1438957-2		1438956-2
C	Signal Blue	1438957-3		1438955-3 or
		5-1438957-3		1438956-3
D	Claret Violet	1438957-4		1438955-4 or
		5-1438957-4		1438956-4
F	Nut Brown	1438957-6		1438955-6 or
		5-1438957-6		1438956-6
H	Heather Violet	1438957-8		1438955-8 or
		5-1438957-8		1438956-8
K	Curry	1-1438957-0		1-1438955-0 or
		6-1438957-0		1-1438956-4

*) Pin Contact Part No. 1438890-8 must be purchased separately.
5-xxx or 6-xxx indicates body clip slot on lock.

1 Position Jack Kit for RG 71U/M

Technical Features

No. of Positions:

1 Position Jack Kit,
Unassembled

Housing Material:

Polyester PBT

Wire Size Range:

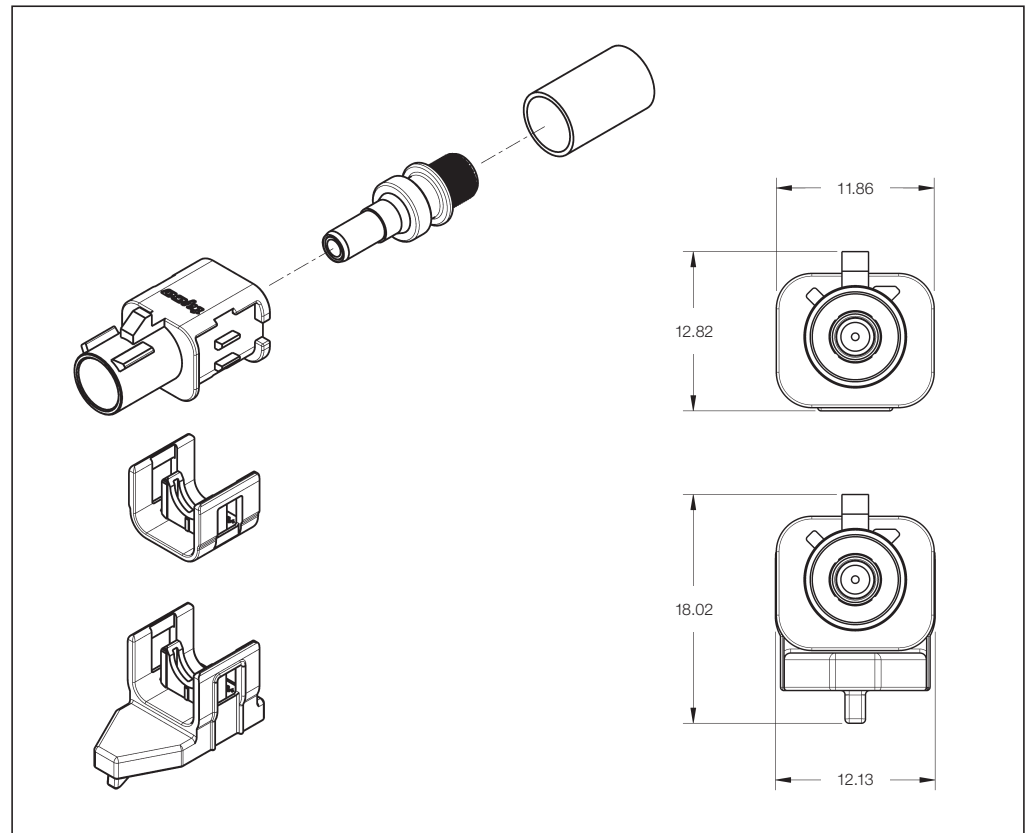
RG 71U/M

Product Specification:

DIN 72594-1

Application Specification:

114-13157



1 Position Jack Kit

Keying Options	Housing Color	Part Numbers		
		Jack Kit	Contacts*	Mating Plug Kit
A	Jet Black	1438960-1	1438890-9	1438958-1 or
		5-1438960-1		1438959-1
B	Signal White	1438960-2		1438958-2 or
		5-1438960-2		1438959-2
C	Signal Blue	1438960-3		1438958-3 or
		5-1438960-3		1438959-3
D	Claret Violet	1438960-4		1438958-4 or
		5-1438960-4		1438959-4
F	Nut Brown	1438960-6		1438958-6 or
		5-1438960-6		1438959-6
H	Heather Violet	1438960-8		1438958-8 or
		5-1438960-8		1438959-8
K	Curry	1-1438960-0		1-1438958-0 or
		6-1438960-0		1-1438959-4

*) Pin Contact Part No. 1438890-9 must be purchased separately.
5-xxx or 6-xxx indicates body clip slot on lock.

1 Position R/A Jack Kit for RG 316, RG 174 and RG 179

Technical Features

No. of Positions:

1 Position Jack Kit,
Unassembled

Housing Material:

Polyester PBT

Wire Size Range:

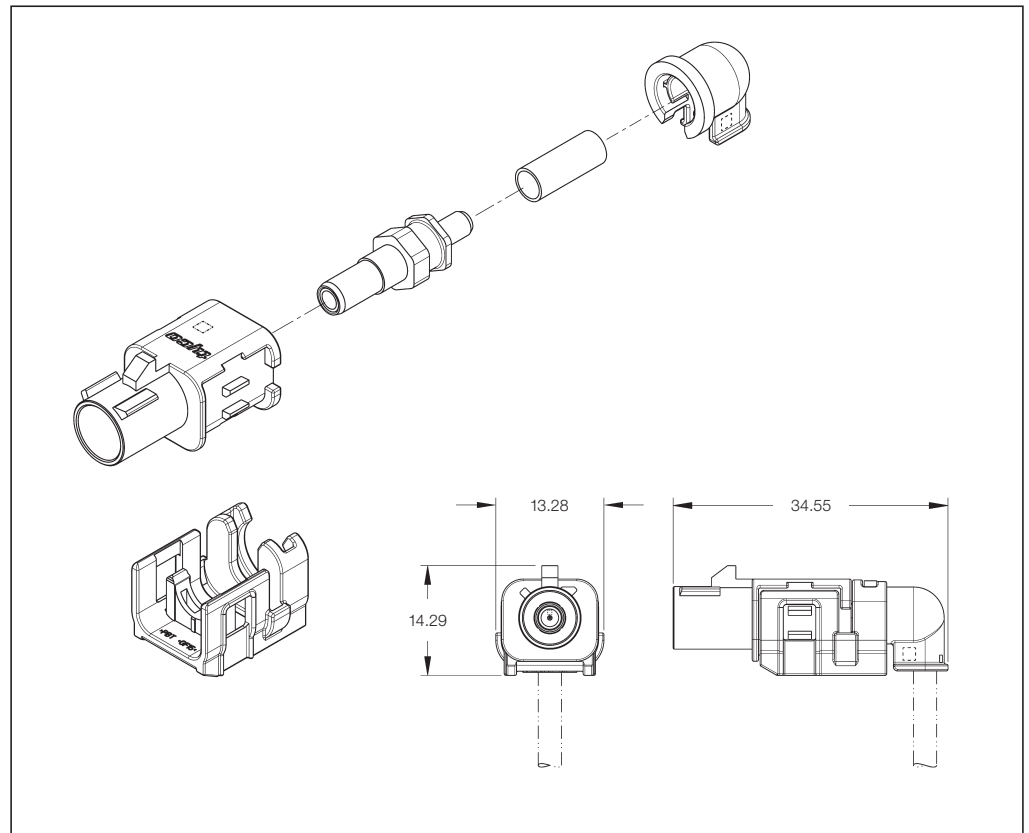
RG 316, RG 174 and RG 179

Product Specification:

DIN 72594-1

Application Specification:

114-13157



1 Position Jack Kit

Keying Options	Housing Color	Part Numbers		
		Jack Kit	Contacts*	Mating Plug Kit
A	Jet Black	1924127-1		1924792-1
B	Signal White	1924127-2		1924792-2
C	Signal Blue	1924127-3	1438890-8	1924792-3
D	Claret Violet	1924127-4	or	1924792-4
F	Nut Brown	1924127-6	1438890-9	1924792-6
H	Heather Violet	1924127-8		1924792-8
K	Curry	1-1924127-0		1-1924792-0

*) Pin Contact Part No. 1438890-8 must be purchased separately for RG 316 and RG 174.
Pin Contact Part No. 1438890-9 must be purchased separately for RG 179.

1 Position Jack Kit for 1.5DS-QFB

Technical Features

No. of Positions:

1 Position Jack Kit,
Unassembled

Housing Material:

Polyester PBT

Wire Size Range:

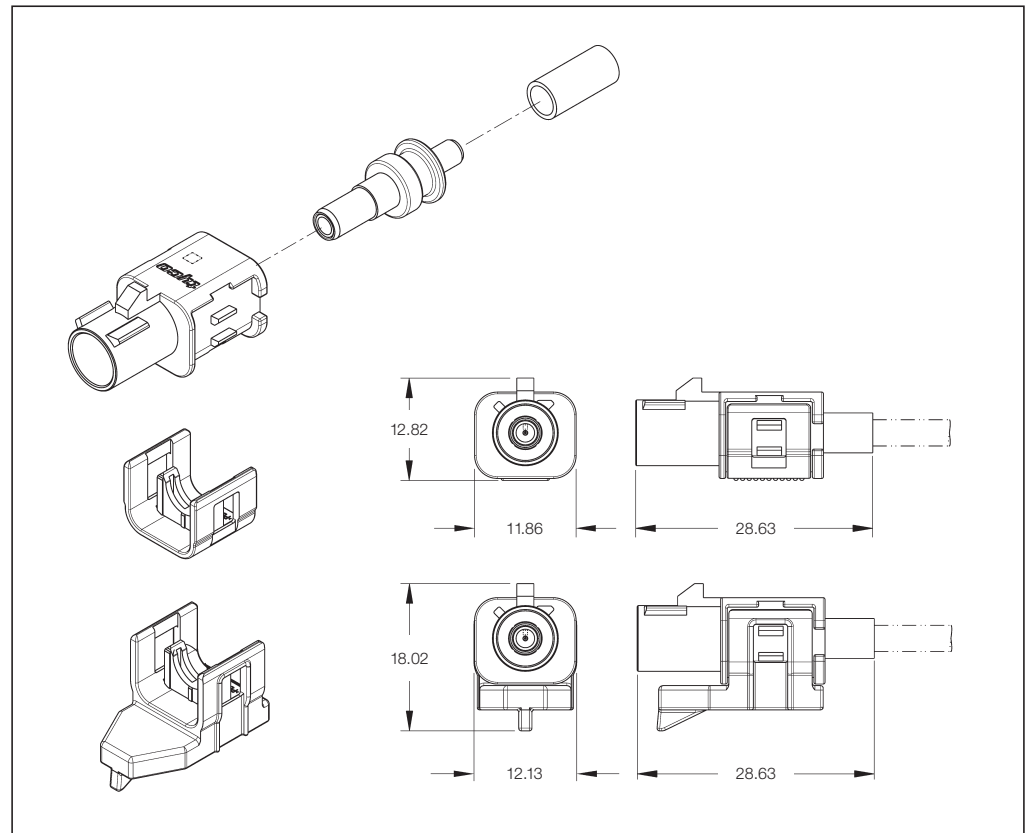
1.5DS-QFB

Product Specification:

DIN 72594-1

Application Specification:

114-13157



1 Position Jack Kit

Keying Options	Housing Color	Part Numbers		
		Jack Kit	Contacts*	Mating Plug Kit
A	Jet Black	1924133-1	1438890-8	1924134-1
		5-1924133-1		
B	Signal White	1924133-2	1438890-8	1924134-2
		5-1924133-2		
C	Signal Blue	1924133-3	1438890-8	1924134-3
		5-1924133-3		
D	Claret Violet	1924133-4	1438890-8	1924134-4
		5-1924133-4		
F	Nut Brown	1924133-6	1438890-8	1924134-6
		5-1924133-6		
H	Heather Violet	1924133-8	1438890-8	1924134-8
		5-1924133-8		
K	Curry	1-1924133-0	1438890-8	1-1924134-0
		6-1924133-0		

*) Pin Contact Part No. 1438890-8 must be purchased separately.
5-xxx or 6-xxx indicates body clip slot on lock.

1 Position Jack Kit for RG 59

Technical Features

No. of Positions:

1 Position Jack Kit,
Unassembled

Housing Material:

Polyester PBT

Wire Size Range:

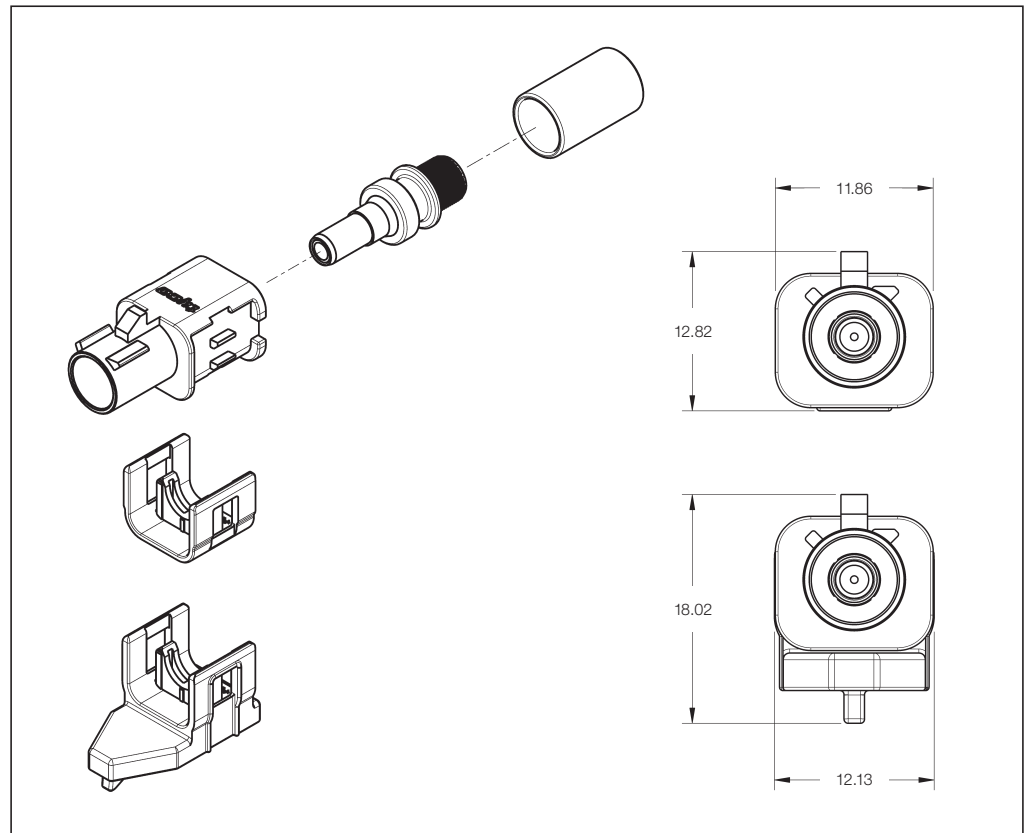
RG 59

Product Specification:

DIN 72594-1

Application Specification:

114-13157



1 Position Jack Kit

Keying Options	Housing Color	Part Numbers		
		Jack Kit	Contacts *	Mating Plug Kit
A	Jet Black	776681-1	1438890-8	776682-1 or 776683-1
		5-776681-1		
B	Signal White	776681-2		776682-2 or 776683-2
		5-776681-2		
C	Signal Blue	776681-3		776682-3 or 776683-3
		5-776681-3		
D	Claret Violet	776681-4		776682-4 or 776683-4
		5-776681-4		
F	Nut Brown	776681-6		776682-6 or 776683-6
		5-776681-6		
H	Heather Violet	776681-8		776682-8 or 776683-8
		5-776681-8		
K	Curry	1-776681-0		1-776682-0 or 1-776683-0
		6-776681-0		

*) Pin Contact Part No. 1438890-8 must be purchased separately.
5-xxx or 6-xxx indicates body clip slot on lock.

1 Position R/A Jack Kit for RG 62

Technical Features

No. of Positions:

1 Position Jack Kit,
Unassembled

Housing Material:

Polyester PBT

Wire Size Range:

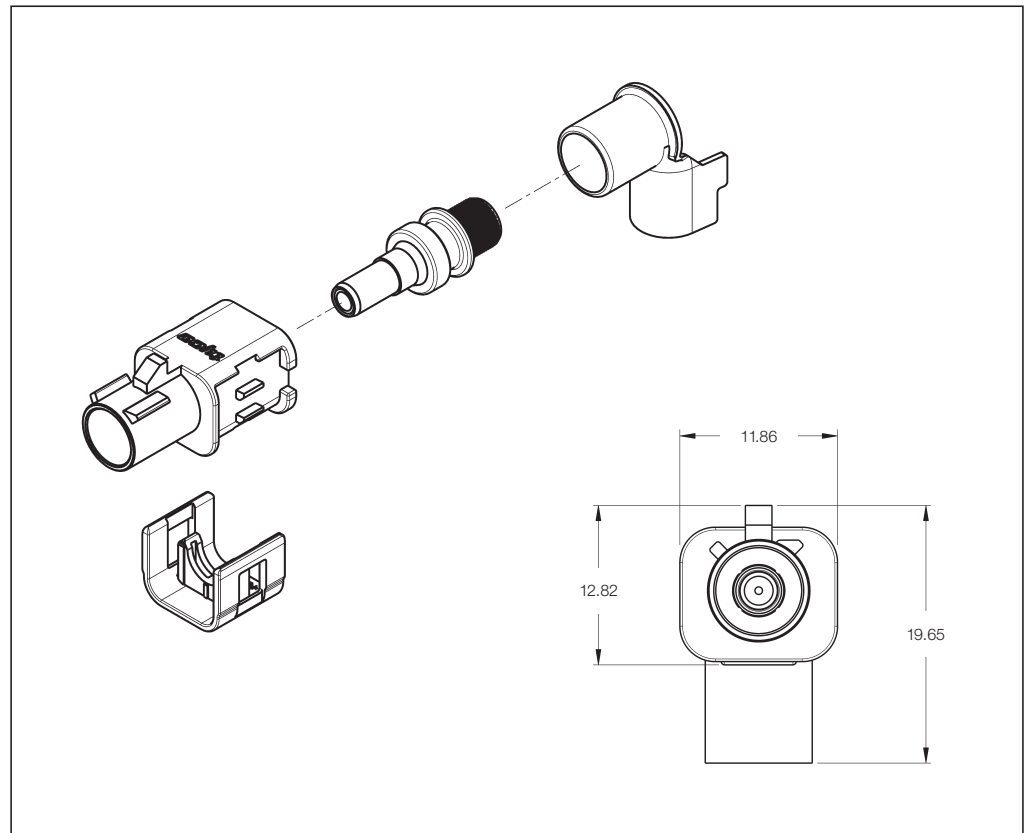
RG 62

Product Specification:

DIN 72594-1

Application Specification:

114-13157



1 Position Jack Kit

Keying Options	Housing Color	Part Numbers		
		Jack Kit	Contacts*	Mating Plug Kit
A	Jet Black	776797-1		1438897-1
B	Signal White	776797-2		1438897-2
C	Signal Blue	776797-3		1438897-3
D	Claret Violet	776797-4	1438890-8	1438897-4
F	Nut Brown	776797-6		1438897-6
H	Heather Violet	776797-8		1438897-8
K	Curry	1-776797-0		1-1438897-0

*) Pin Contact Part No. 1438890-8 must be purchased separately.

1 Position Plug Kit for RG 62

Technical Features

No. of Positions:

1 Position Plug Kit,
Unassembled

Housing Material:

Polyester PBT

Wire Size Range:

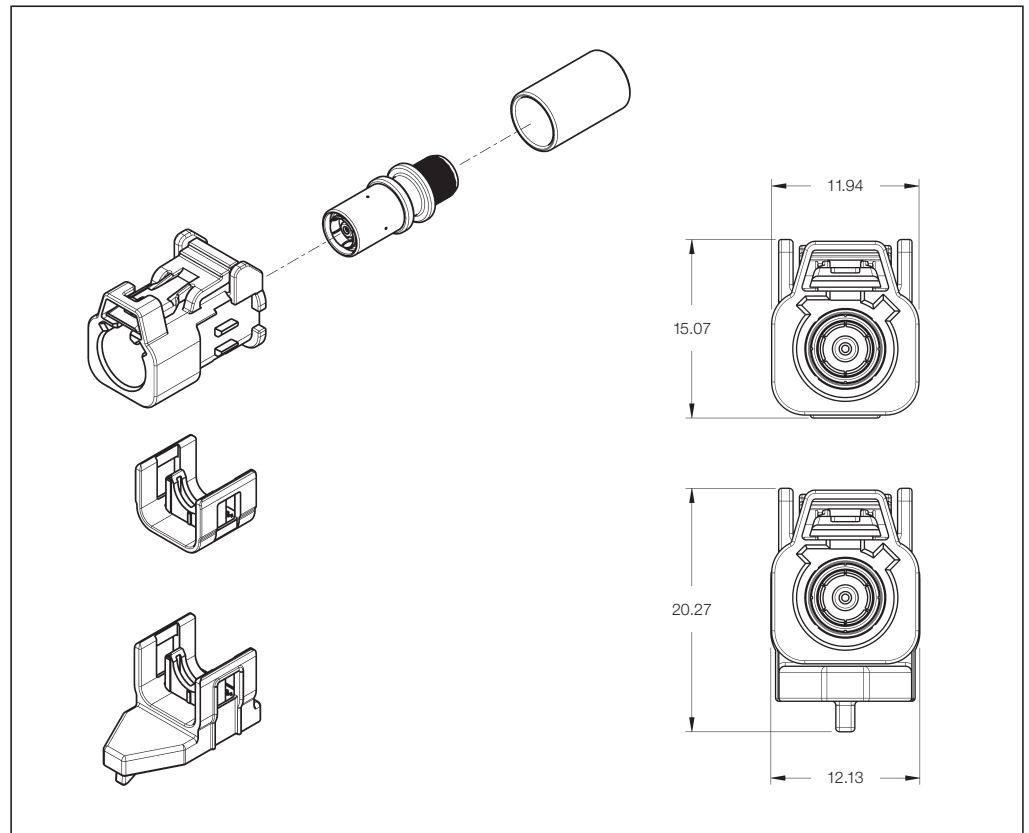
RG 62

Product Specification:

DIN 72594-1

Application Specification:

114-13157



1 Position Plug Kit

Keying Options	Housing Color	Part Numbers									
		Plug Kit	Contacts*	Mating Jack Kit							
A	Jet Black	1438897-1	1438896-4	1438891-1							
		5-1438897-1									
B	Signal White	1438897-2		1438896-4	1438891-2						
		5-1438897-2									
C	Signal Blue	1438897-3			1438896-4	1438891-3					
		5-1438897-3									
D	Claret Violet	1438897-4				1438896-4	1438891-4				
		5-1438897-4									
E	Leaf Green	1438897-5					1438896-4	N/A			
		5-1438897-5									
F	Nut Brown	1438897-6						1438896-4	1438891-6		
		5-1438897-6									
G	Blue Gray	1438897-7							1438896-4	N/A	
		5-1438897-7									
H	Heather Violet	1438897-8								1438896-4	1438891-8
		5-1438897-8									
K	Curry	1-1438897-0	1438896-4								1-1438891-0
		6-1438897-0									

*) Socket Contact Part No. 1438896-4 must be purchased separately.
5-xxx or 6-xxx indicates body clip slot on lock.

1 Position R/A Plug Kit for RG 62

Technical Features

No. of Positions:

1 Position Plug Kit,
Unassembled

Housing Material:

Polyester PBT

Wire Size Range:

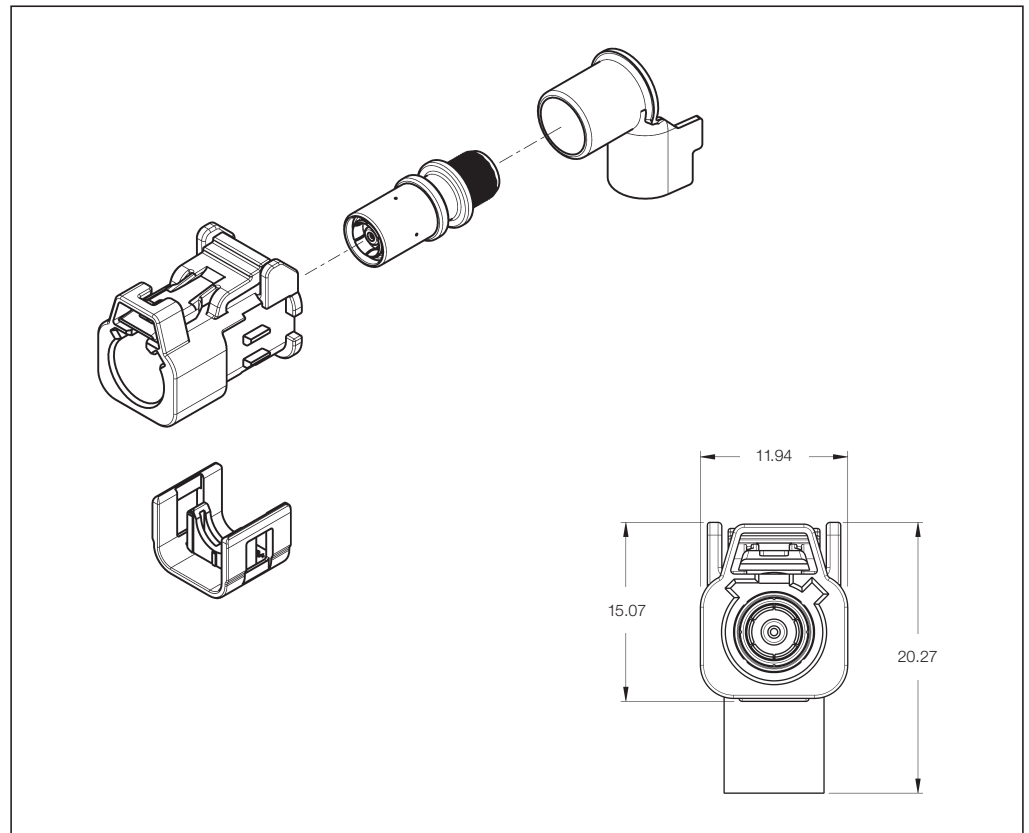
RG 62

Product Specification:

DIN 72594-1

Application Specification:

114-13157



1 Position Plug Kit

Keying Options	Housing Color	Part Numbers		
		Plug Kit	Contacts*	Mating Jack Kit
A	Jet Black	1438904-1		1438891-1
B	Signal White	1438904-2		1438891-2
C	Signal Blue	1438904-3		1438891-3
D	Claret Violet	1438904-4		1438891-4
E	Leaf Green	1438904-5	1438896-4	N/A
F	Nut Brown	1438904-6		1438891-6
G	Blue Gray	1438904-7		N/A
H	Heather Violet	1438904-8		1438891-8
K	Curry	1-1438904-0		1-1438891-0

*) Socket Contact Part No. 1438896-4 must be purchased separately.

1 Position Plug Kit for RG 58, RG 58 Low Loss and RG 59 Mini

Technical Features

No. of Positions:

1 Position Plug Kit,
Unassembled

Housing Material:

Polyester PBT

Wire Size Range:

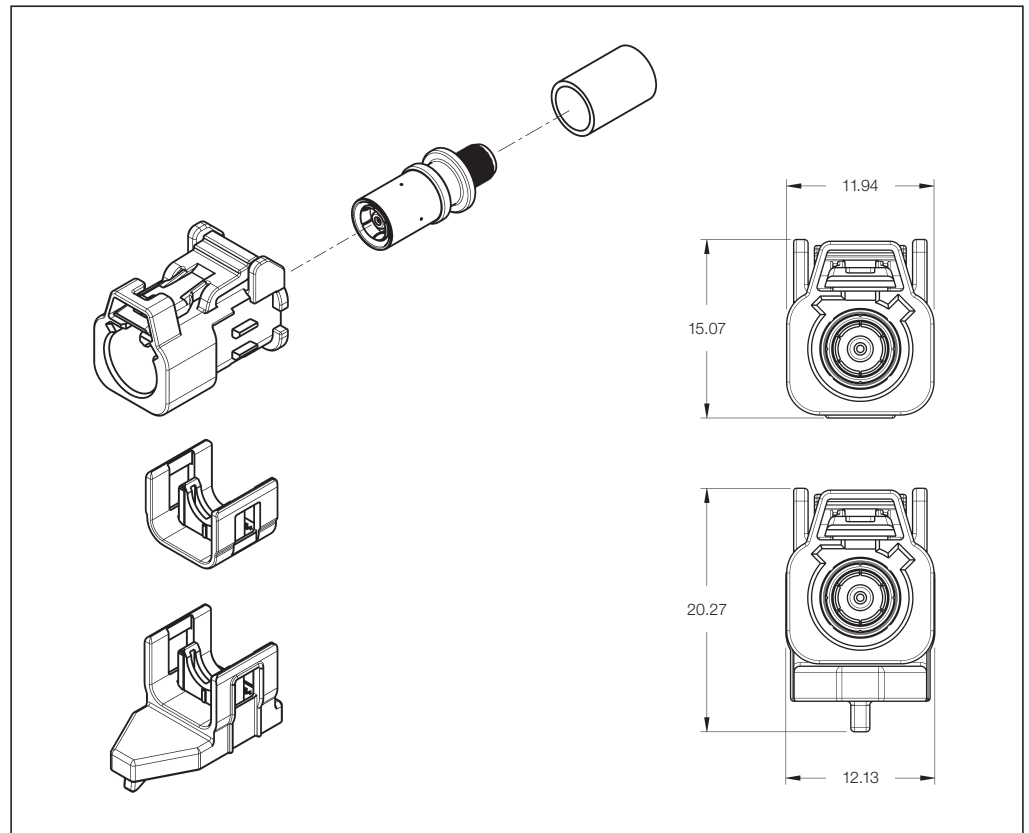
RG 58, RG 58 Low Loss
and RG 59 Mini

Product Specification:

DIN 72594-1

Application Specification:

114-13157



1 Position Plug Kit

Keying Options	Housing Color	Part Numbers									
		Plug Kit	Contacts*	Mating Jack Kit							
A	Jet Black	1438919-1	1438896-2 or 1438896-4	1438911-1							
		5-1438919-1									
B	Signal White	1438919-2		1438896-2 or 1438896-4	1438911-2						
		5-1438919-2									
C	Signal Blue	1438919-3			1438896-2 or 1438896-4	1438911-3					
		5-1438919-3									
D	Claret Violet	1438919-4				1438896-2 or 1438896-4	1438911-4				
		5-1438919-4									
E	Leaf Green	1438919-5					1438896-2 or 1438896-4	N/A			
		5-1438919-5									
F	Nut Brown	1438919-6						1438896-2 or 1438896-4	1438911-6		
		5-1438919-6									
G	Blue Gray	1438919-7							1438896-2 or 1438896-4	N/A	
		5-1438919-7									
H	Heather Violet	1438919-8								1438896-2 or 1438896-4	1438911-8
		5-1438919-8									
K	Curry	1-1438919-0	1438896-2 or 1438896-4								1-1438911-0
		6-1438919-0									

*) Socket Contact Part No. 1438896-2 must be purchased separately for RG 58 and RG 58LL.
Socket Contact Part No. 1438896-4 must be purchased separately for RG 59 Mini.
5-xxx or 6-xxx indicates body clip slot on lock.

1 Position R/A Plug Kit for RG 58, RG 58 Low Loss and RG 59 Mini

Technical Features

No. of Positions:

1 Position Plug Kit,
Unassembled

Housing Material:

Polyester PBT

Wire Size Range:

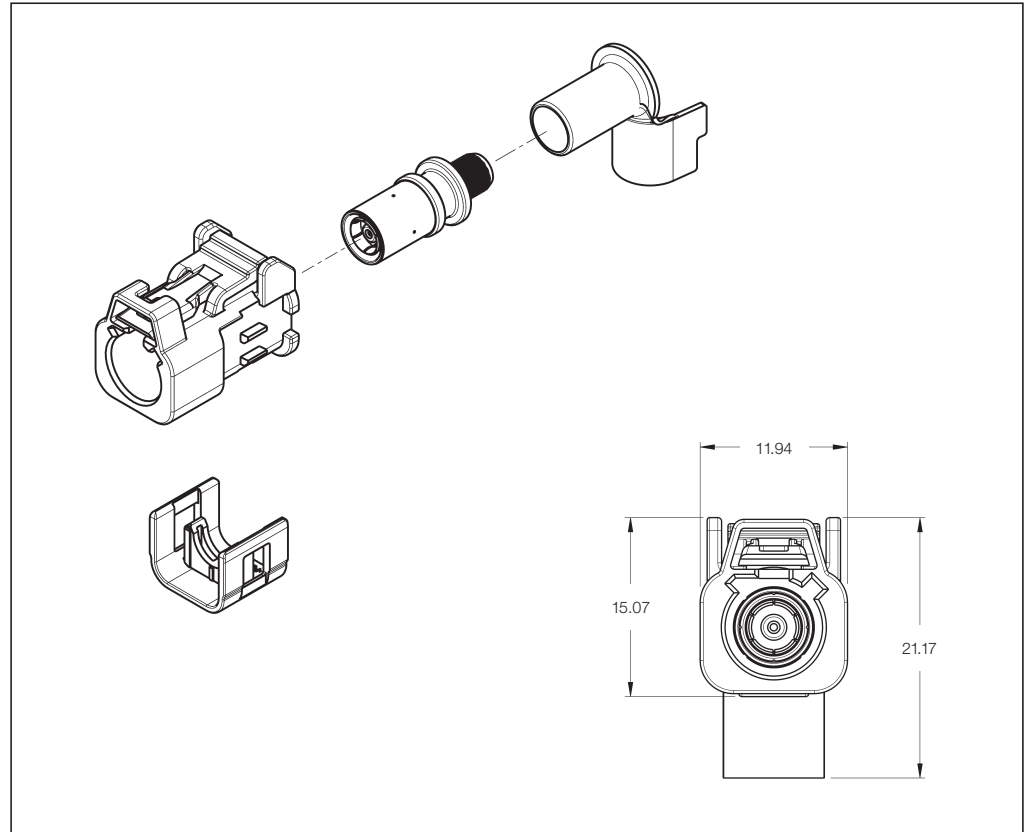
RG 58, RG 58 Low Loss
and RG 59 Mini

Product Specification:

DIN 72594-1

Application Specification:

114-13157



1 Position Plug Kit

Keying Options	Housing Color	Part Numbers		
		Plug Kit	Contacts*	Mating Jack Kit
A	Jet Black	1438920-1		1438911-1
B	Signal White	1438920-2		1438911-2
C	Signal Blue	1438920-3		1438911-3
D	Claret Violet	1438920-4	1438896-2	1438911-4
E	Leaf Green	1438920-5	or	N/A
F	Nut Brown	1438920-6	1438896-4	1438911-6
G	Blue Gray	1438920-7		N/A
H	Heather Violet	1438920-8		1438911-8
K	Curry	1-1438920-0		1-1438911-0

*) Socket Contact Part No. 1438896-2 must be purchased separately for RG 58 and RG 58LL.
Socket Contact Part No. 1438896-4 must be purchased separately for RG 59 Mini.

1 Position Plug Kit for RG 316, RG 174 and RG 179

Technical Features

No. of Positions:

1 Position Plug Kit,
Unassembled

Housing Material:

Polyester PBT

Wire Size Range:

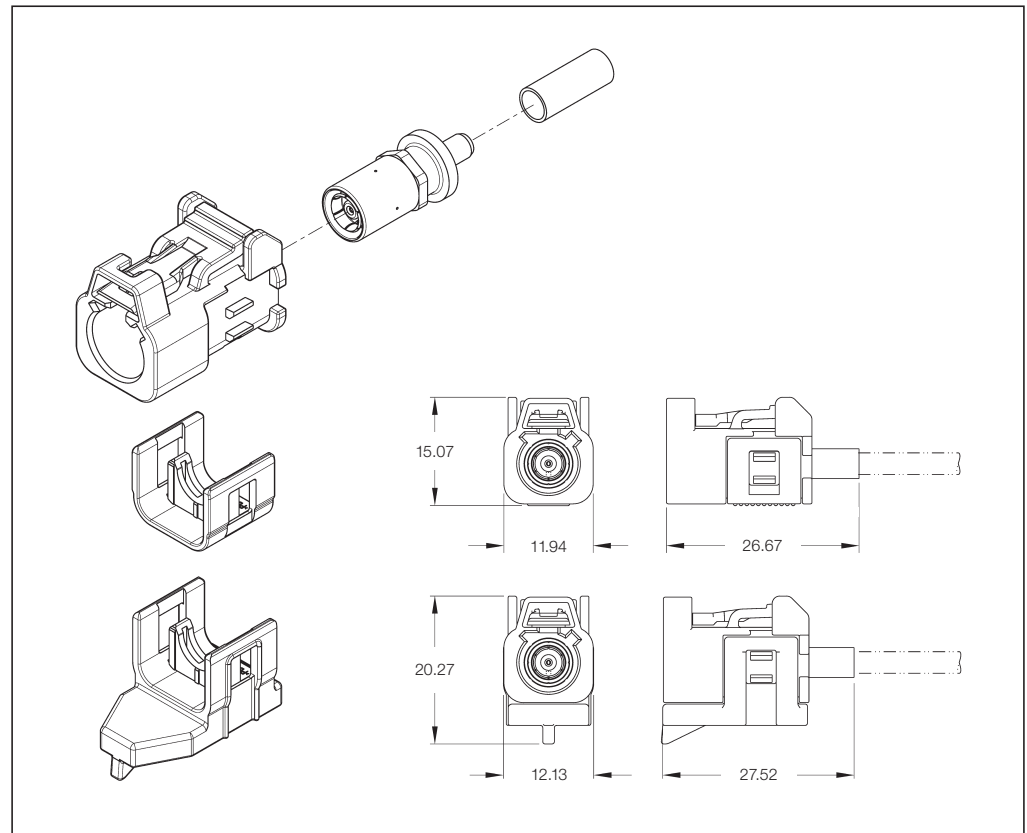
RG 316, RG 174 and RG 179

Product Specification:

DIN 72594-1

Application Specification:

114-13157



1 Position Plug Kit

Keying Options	Housing Color	Part Numbers									
		Plug Kit	Contacts*	Mating Jack Kit							
A	Jet Black	1924792-1	1438896-4 or 1438896-6	1438912-1							
		5-1924792-1									
B	Signal White	1924792-2		1438896-4 or 1438896-6	1438912-2						
		5-1924792-2									
C	Signal Blue	1924792-3			1438896-4 or 1438896-6	1438912-3					
		5-1924792-3									
D	Claret Violet	1924792-4				1438896-4 or 1438896-6	1438912-4				
		5-1924792-4									
E	Leaf Green	1924792-5					1438896-4 or 1438896-6	N/A			
		5-1924792-5									
F	Nut Brown	1924792-6						1438896-4 or 1438896-6	1438912-6		
		5-1924792-6									
G	Blue Gray	1924792-7							1438896-4 or 1438896-6	N/A	
		5-1924792-7									
H	Heather Violet	1924792-8								1438896-4 or 1438896-6	1438912-8
		5-1924792-8									
K	Curry	1-1924792-0	1438896-4 or 1438896-6								1-1438912-0
		6-1924792-0									

*) Socket Contact Part No. 1438896-4 must be purchased separately for RG 316 and RG 174.
Socket Contact Part No. 1438896-6 must be purchased separately for RG 179.
5-xxx or 6-xxx indicates body clip slot on lock.

1 Position R/A Plug Kit for RG 316, RG 174 and RG 179

Technical Features

No. of Positions:

1 Position Plug Kit,
Unassembled

Housing Material:

Polyester PBT

Wire Size Range:

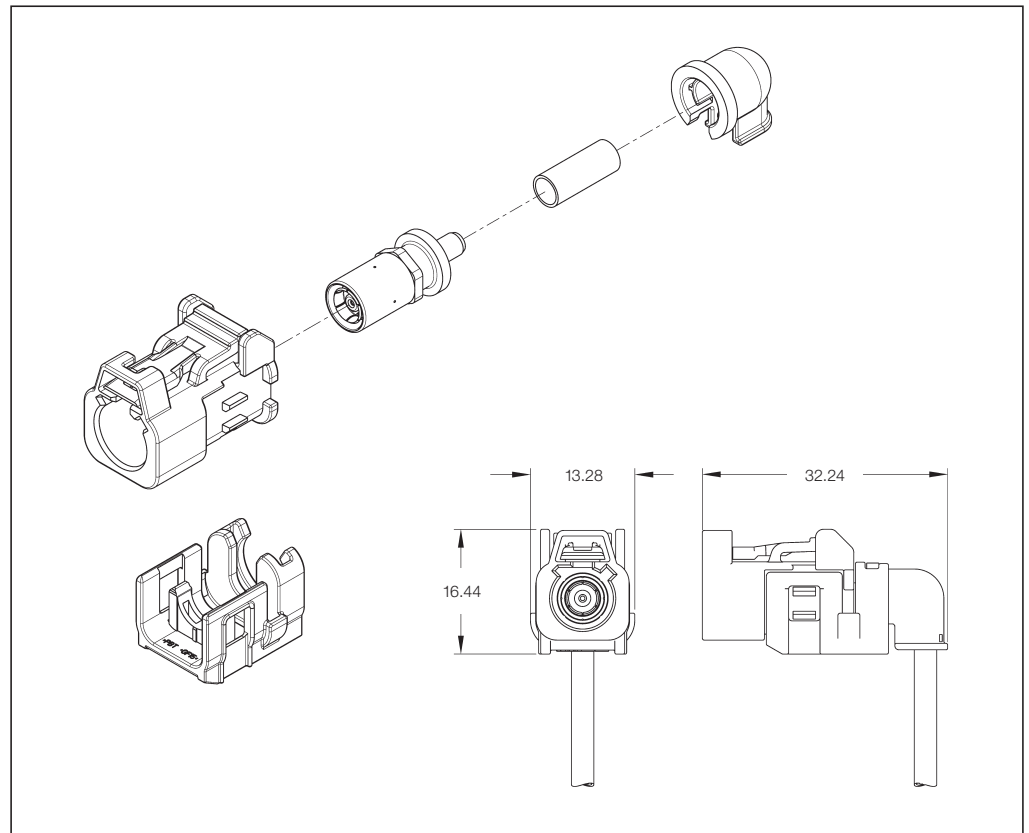
RG 316, RG 174 and RG 179

Product Specification:

DIN 72594-1

Application Specification:

114-13157



1 Position Plug Kit

Keying Options	Housing Color	Part Numbers		
		Plug Kit	Contacts*	Mating Jack Kit
A	Jet Black	2035141-1		1438912-1
B	Signal White	2035141-2		1438912-2
C	Signal Blue	2035141-3		1438912-3
D	Claret Violet	2035141-4	1438896-4	1438912-4
E	Leaf Green	2035141-5	or	N/A
F	Nut Brown	2035141-6	1438896-6	1438912-6
G	Blue Gray	2035141-7		N/A
H	Heather Violet	2035141-8		1438912-8
K	Curry	1-2035141-0		1-1438912-0

*) Socket Contact Part No. 1438896-4 must be purchased separately for RG 316 and RG 174.
Socket Contact Part No. 1438896-6 must be purchased separately for RG 179.

1 Position Plug Kit for RG 62U/M

Technical Features

No. of Positions:

1 Position Plug Kit,
Unassembled

Housing Material:

Polyester PBT

Wire Size Range:

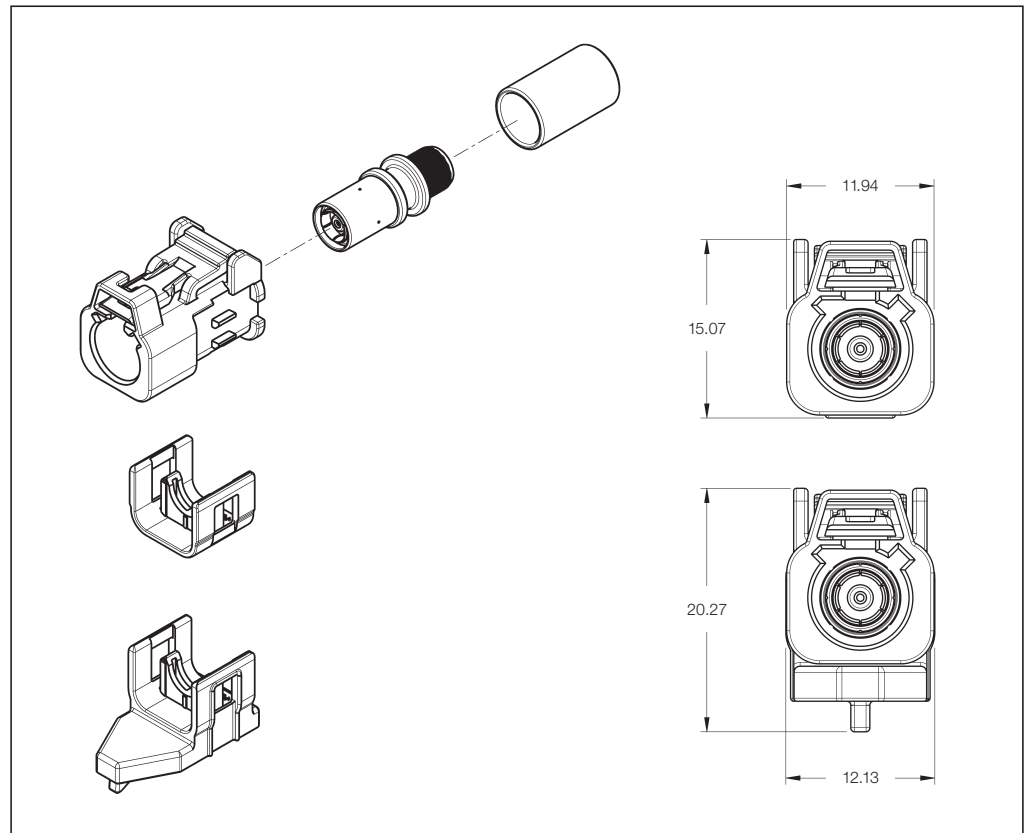
RG 62U/M

Product Specification:

DIN 72594-1

Application Specification:

114-13157



1 Position Plug Kit

Keying Options	Housing Color	Part Numbers									
		Plug Kit	Contacts*	Mating Jack Kit							
A	Jet Black	1438922-1	1438896-6	1438924-1							
		5-1438922-1									
B	Signal White	1438922-2		1438896-6	1438924-2						
		5-1438922-2									
C	Signal Blue	1438922-3			1438896-6	1438924-3					
		5-1438922-3									
D	Claret Violet	1438922-4				1438896-6	1438924-4				
		5-1438922-4									
E	Leaf Green	1438922-5					1438896-6	N/A			
		5-1438922-5									
F	Nut Brown	1438922-6						1438896-6	1438924-6		
		5-1438922-6									
G	Blue Gray	1438922-7							1438896-6	N/A	
		5-1438922-7									
H	Heather Violet	1438922-8								1438896-6	1438924-8
		5-1438922-8									
K	Curry	1-1438922-0	1438896-6								1-1438924-0
		6-1438922-0									

*) Socket Contact Part No. 1438896-6 must be purchased separately.
5-xxx or 6-xxx indicates body clip slot on lock.

1 Position R/A Plug Kit for RG 62U/M

Technical Features

No. of Positions:

1 Position Plug Kit,
Unassembled

Housing Material:

Polyester PBT

Wire Size Range:

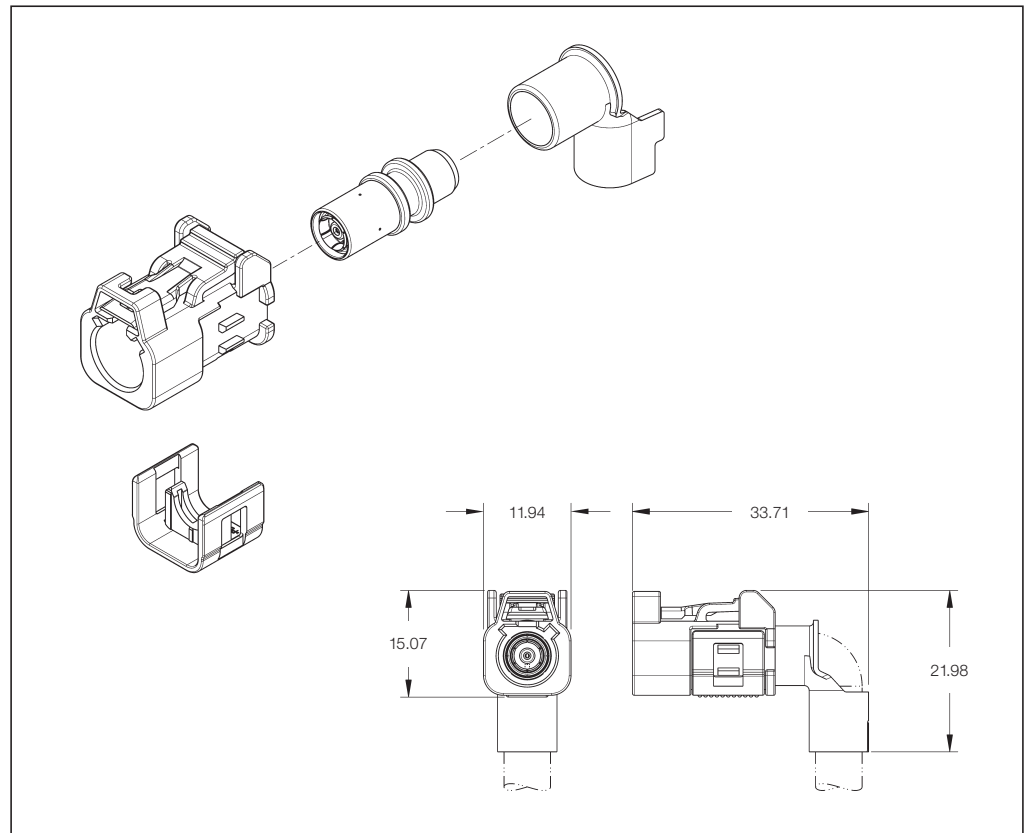
RG 62U/M

Product Specification:

DIN 72594-1

Application Specification:

114-13157



1 Position Plug Kit

Keying Options	Housing Color	Part Numbers		
		Plug Kit	Contacts*	Mating Jack Kit
A	Jet Black	1438923-1		1438924-1
B	Signal White	1438923-2		1438924-2
C	Signal Blue	1438923-3		1438924-3
D	Claret Violet	1438923-4		1438924-4
E	Leaf Green	1438923-5	1438896-6	N/A
F	Nut Brown	1438923-6		1438924-6
G	Blue Gray	1438923-7		N/A
H	Heather Violet	1438923-8		1438924-8
K	Curry	1-1438923-0		1-1438924-0

*) Socket Contact Part No. 1438896-6 must be purchased separately.

1 Position Plug Kit for RG 71

Technical Features

No. of Positions:

1 Position Plug Kit,
Unassembled

Housing Material:

Polyester PBT

Wire Size Range:

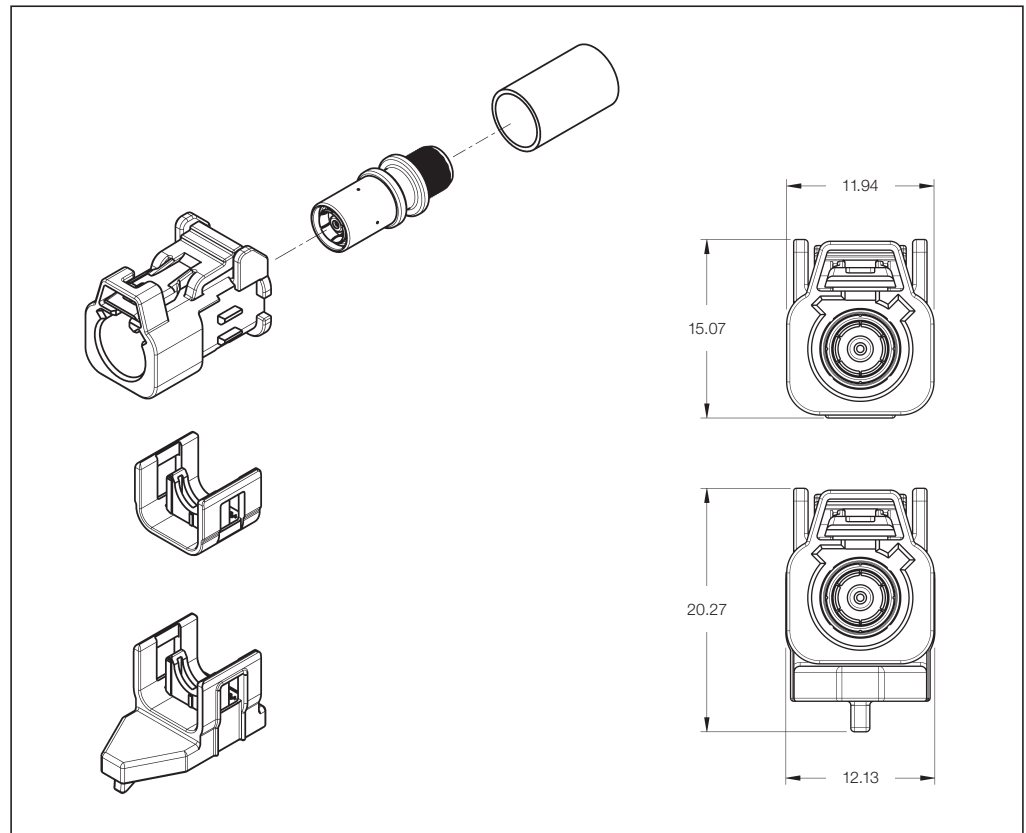
RG 71

Product Specification:

DIN 72594-1

Application Specification:

114-13157



1 Position Plug Kit

Keying Options	Housing Color	Part Numbers		
		Plug Kit	Contacts*	Mating Jack Kit
A	Jet Black	1438955-1	1438896-4	1438957-1
		5-1438955-1		
B	Signal White	1438955-2		1438957-2
		5-1438955-2		
C	Signal Blue	1438955-3		1438957-3
		5-1438955-3		
D	Claret Violet	1438955-4		1438957-4
		5-1438955-4		
E	Leaf Green	1438955-5		N/A
		5-1438955-5		
F	Nut Brown	1438955-6		1438957-6
		5-1438955-6		
G	Blue Gray	1438955-7		N/A
		5-1438955-7		
H	Heather Violet	1438955-8		1438957-8
		5-1438955-8		
K	Curry	1-1438955-0	1-1438957-0	
		6-1438955-0		

*) Socket Contact Part No. 1438896-4 must be purchased separately.
5-xxx or 6-xxx indicates body clip slot on lock.

1 Position R/A Plug Kit for RG 71

Technical Features

No. of Positions:

1 Position Plug Kit,
Unassembled

Housing Material:

Polyester PBT

Wire Size Range:

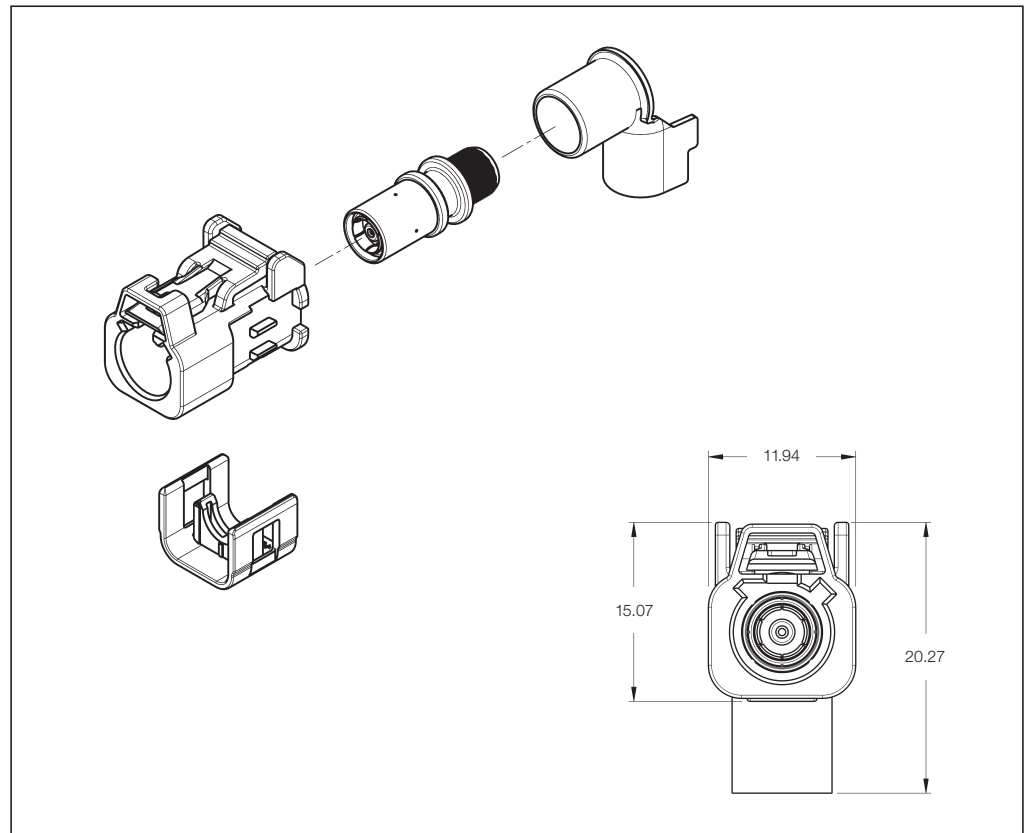
RG 71

Product Specification:

DIN 72594-1

Application Specification:

114-13157



1 Position Plug Kit

Keying Options	Housing Color	Part Numbers		
		Plug Kit	Contacts*	Mating Jack Kit
A	Jet Black	1438956-1		1438957-1
B	Signal White	1438956-2		1438957-2
C	Signal Blue	1438956-3		1438957-3
D	Claret Violet	1438956-4		1438957-4
E	Leaf Green	1438956-5	1438896-4	N/A
F	Nut Brown	1438956-6		1438957-6
G	Blue Gray	1438956-7		N/A
H	Heather Violet	1438956-8		1438957-8
K	Curry	1-1438956-0		1-1438957-0

*) Socket Contact Part No. 1438896-4 must be purchased separately.

1 Position Plug Kit for RG 71U/M

Technical Features

No. of Positions:

1 Position Plug Kit,
Unassembled

Housing Material:

Polyester PBT

Wire Size Range:

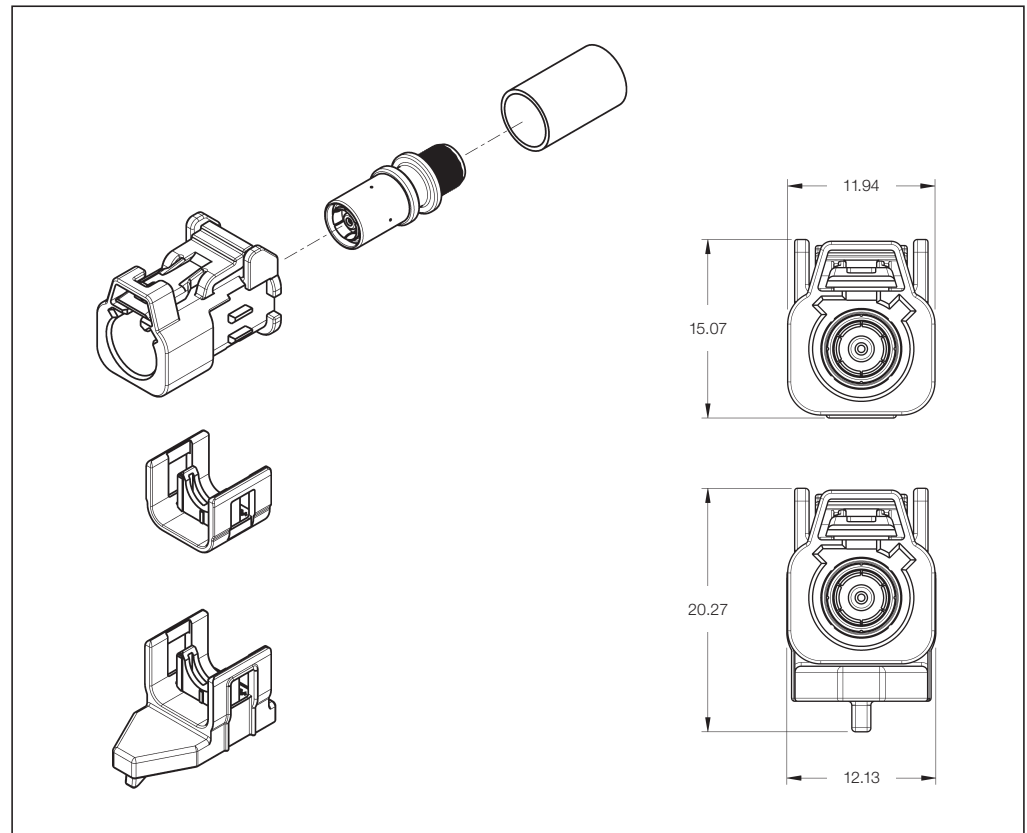
RG 71U/M

Product Specification:

DIN 72594-1

Application Specification:

114-13157



1 Position Plug Kit

Keying Options	Housing Color	Part Numbers									
		Plug Kit	Contacts*	Mating Jack Kit							
A	Jet Black	1438958-1	1438896-6	1438960-1							
		5-1438958-1									
B	Signal White	1438958-2		1438896-6	1438960-2						
		5-1438958-2									
C	Signal Blue	1438958-3			1438896-6	1438960-3					
		5-1438958-3									
D	Claret Violet	1438958-4				1438896-6	1438960-4				
		5-1438958-4									
E	Leaf Green	1438958-5					1438896-6	N/A			
		5-1438958-5									
F	Nut Brown	1438958-6						1438896-6	1438960-6		
		5-1438958-6									
G	Blue Gray	1438958-7							1438896-6	N/A	
		5-1438958-7									
H	Heather Violet	1438958-8								1438896-6	1438960-8
		5-1438958-8									
K	Curry	1-1438958-0	1438896-6								1-1438960-0
		6-1438958-0									

*) Socket Contact Part No. 1438896-6 must be purchased separately.
5-xxx or 6-xxx indicates body clip slot on lock.

1 Position R/A Plug Kit for RG 71U/M

Technical Features

No. of Positions:

1 Position Plug Kit,
Unassembled

Housing Material:

Polyester PBT

Wire Size Range:

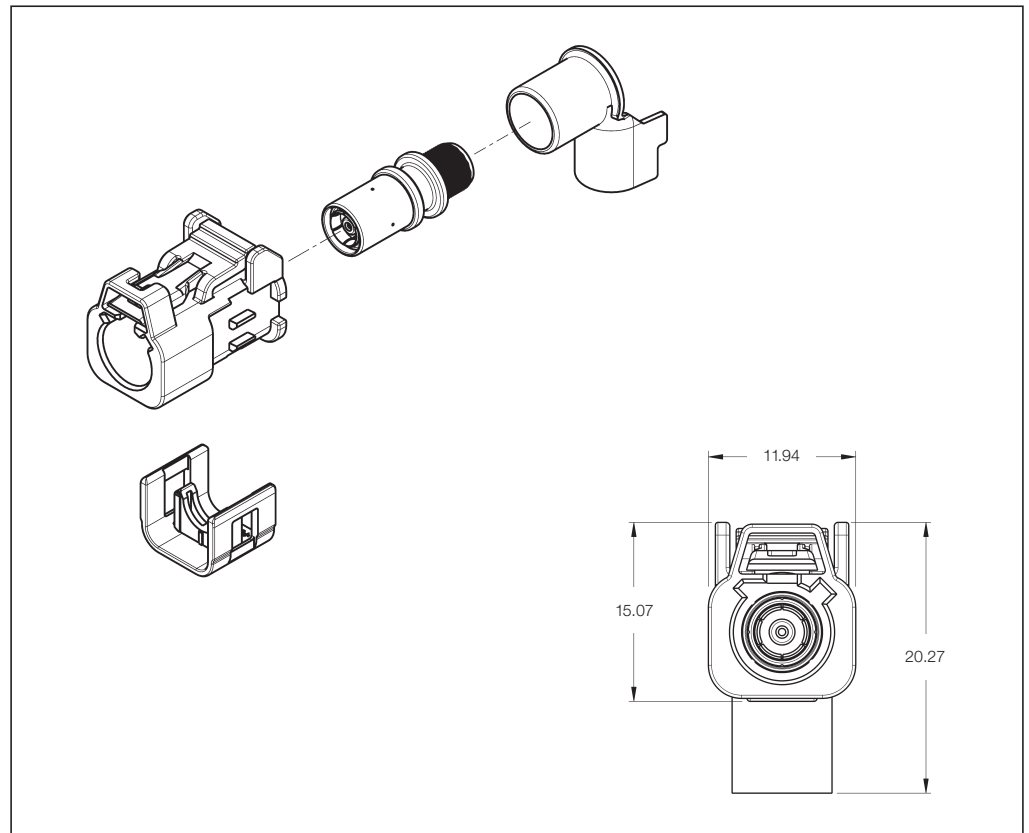
RG 71U/M

Product Specification:

DIN 72594-1

Application Specification:

114-13157



1 Position Plug Kit

Keying Options	Housing Color	Part Numbers		
		Plug Kit	Contacts*	Mating Jack Kit
A	Jet Black	1438959-1	1438896-6	1438960-1
B	Signal White	1438959-2		1438960-2
C	Signal Blue	1438959-3		1438960-3
D	Claret Violet	1438959-4		1438960-4
E	Leaf Green	1438959-5		N/A
F	Nut Brown	1438959-6		1438960-6
G	Blue Gray	1438959-7		N/A
H	Heather Violet	1438959-8		1438960-8
K	Curry	1-1438959-0		1-1438960-0

*) Socket Contact Part No. 1438896-6 must be purchased separately.

1 Position Plug Kit for 1.5DS-QFB

Technical Features

No. of Positions:

1 Position Plug Kit,
Unassembled

Housing Material:

Polyester PBT

Wire Size Range:

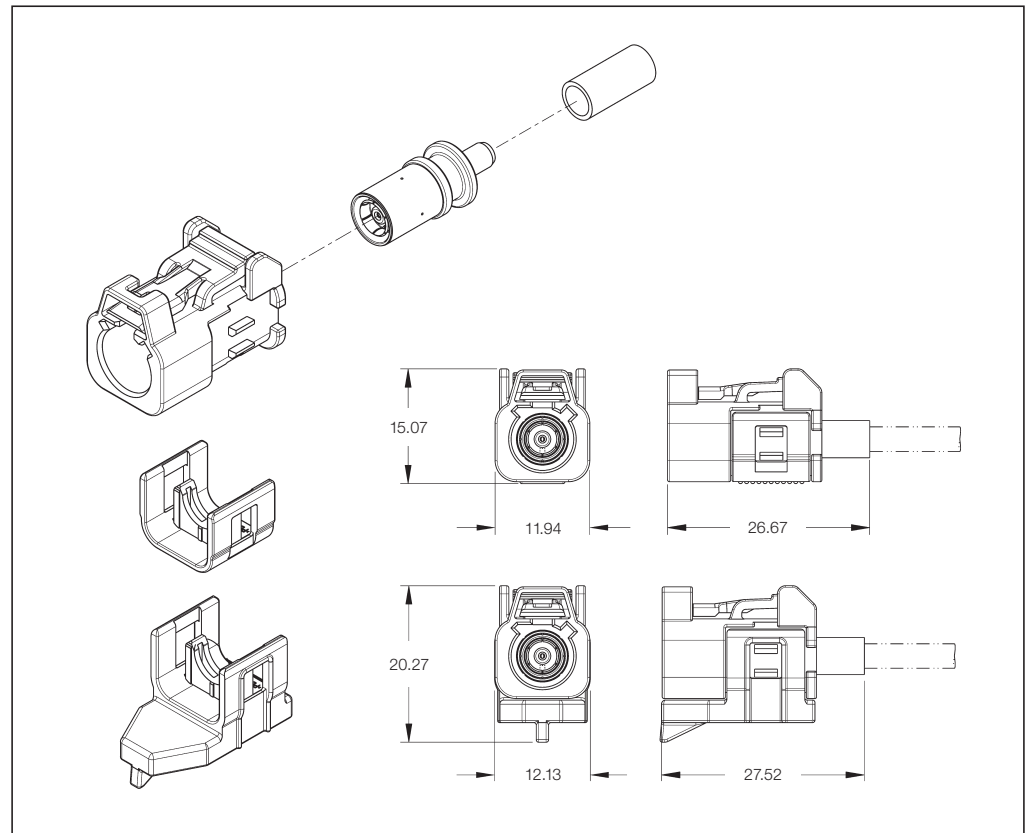
1.5DS-QFB

Product Specification:

DIN 72594-1

Application Specification:

114-13157



1 Position Plug Kit

Keying Options	Housing Color	Part Numbers									
		Plug Kit	Contacts*	Mating Jack Kit							
A	Jet Black	1924134-1	1438896-4	1924133-1							
		5-1924134-1									
B	Signal White	1924134-2		1438896-4	1924133-2						
		5-1924134-2									
C	Signal Blue	1924134-3			1438896-4	1924133-3					
		5-1924134-3									
D	Claret Violet	1924134-4				1438896-4	1924133-4				
		5-1924134-4									
E	Leaf Green	1924134-5					1438896-4	N/A			
		5-1924134-5									
F	Nut Brown	1924134-6						1438896-4	1924133-6		
		5-1924134-6									
G	Blue Gray	1924134-7							1438896-4	N/A	
		5-1924134-7									
H	Heather Violet	1924134-8								1438896-4	1924133-8
		5-1924134-8									
K	Curry	1-1924134-0	1438896-4								1-1924133-0
		6-1924134-0									

*) Socket Contact Part No. 1438896-4 must be purchased separately.
5-xxx or 6-xxx indicates body clip slot on lock.

1 Position Plug Kit for RG 59

Technical Features

No. of Positions:

1 Position Plug Kit,
Unassembled

Housing Material:

Polyester PBT

Wire Size Range:

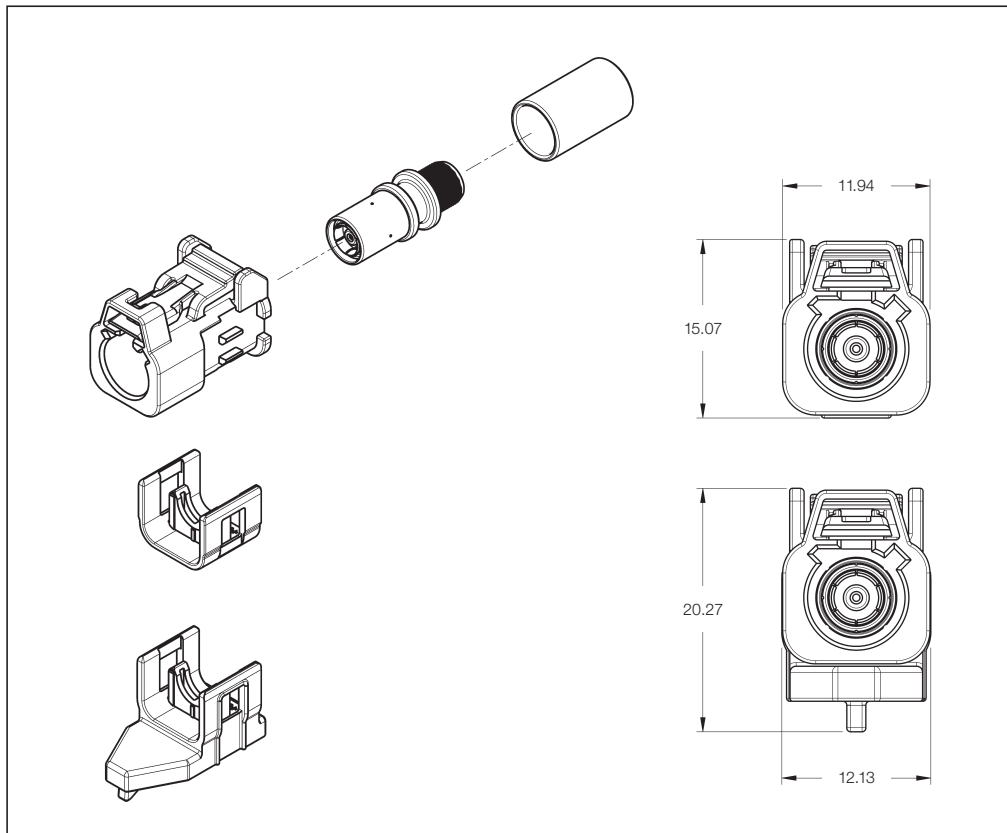
RG 59

Product Specification:

DIN 72594-1

Application Specification:

114-13157



1 Position Plug Kit

Keying Options	Housing Color	Part Numbers									
		Plug Kit	Contacts*	Mating Jack Kit							
A	Jet Black	776682-1	1438896-4	776681-1							
		5-776682-1									
B	Signal White	776682-2		1438896-4	776681-2						
		5-776682-2									
C	Signal Blue	776682-3			1438896-4	776681-3					
		5-776682-3									
D	Claret Violet	776682-4				1438896-4	776681-4				
		5-776682-4									
E	Leaf Green	776682-5					1438896-4	N/A			
		5-776682-5									
F	Nut Brown	776682-6						1438896-4	776681-6		
		5-776682-6									
G	Blue Gray	776682-7							1438896-4	N/A	
		5-776682-7									
H	Heather Violet	776682-8								1438896-4	776681-8
		5-776682-8									
K	Curry	1-776682-0	1438896-4								1-776681-0
		6-776682-0									

*) Socket Contact Part No. 1438896-4 must be purchased separately.
5-xxx or 6-xxx indicates body clip slot on lock.

1 Position R/A Plug Kit for RG 59

Technical Features

No. of Positions:

1 Position Plug Kit,
Unassembled

Housing Material:

Polyester PBT

Wire Size Range:

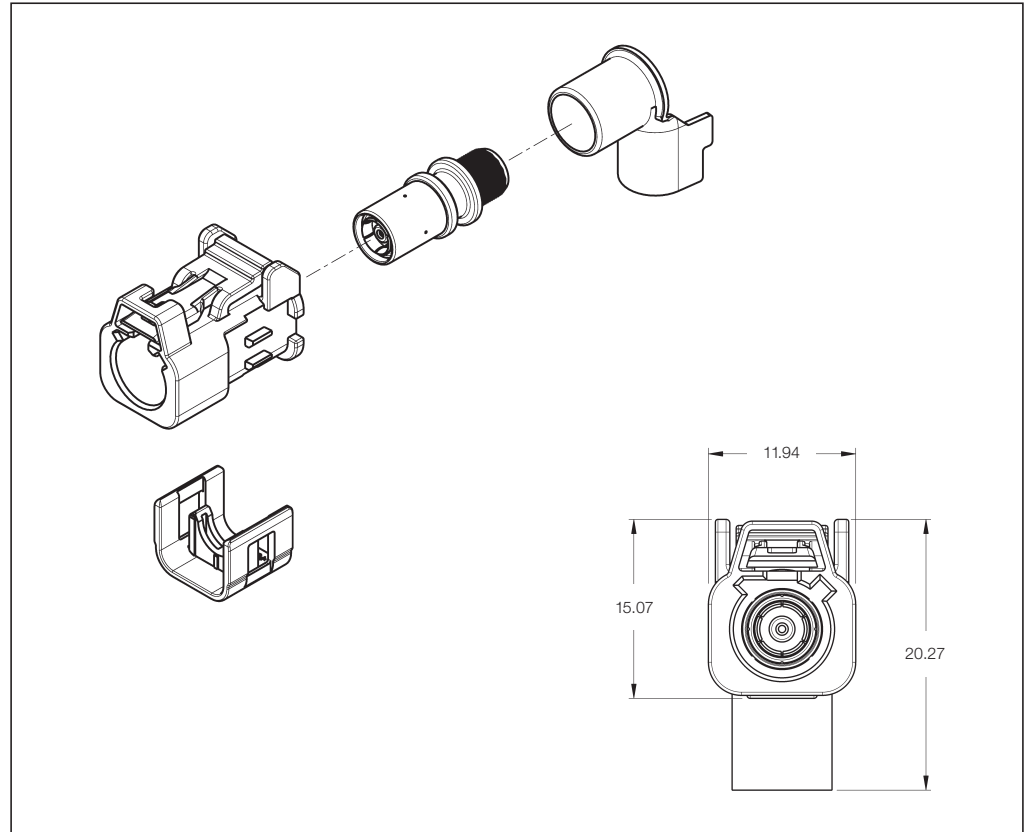
RG 59

Product Specification:

DIN 72594-1

Application Specification:

114-13157



1 Position Plug Kit

Keying Options	Housing Color	Part Numbers		
		Plug Kit	Contacts*	Mating Jack Kit
A	Jet Black	776683-1		776681-1
B	Signal White	776683-2		776681-2
C	Signal Blue	776683-3		776681-3
D	Claret Violet	776683-4		776681-4
E	Leaf Green	776683-5	1438896-4	N/A
F	Nut Brown	776683-6		776681-6
G	Blue Gray	776683-7		N/A
H	Heather Violet	776683-8		776681-8
K	Curry	1-776683-0		1-776681-0

*) Socket Contact Part No. 1438896-4 must be purchased separately.

2 Positions Jack Kit for RG 174 and RG 174

Technical Features

No. of Positions:

2 Positions Jack Kit,
Unassembled

Housing Material:

Polyester PBT

Wire Size Range:

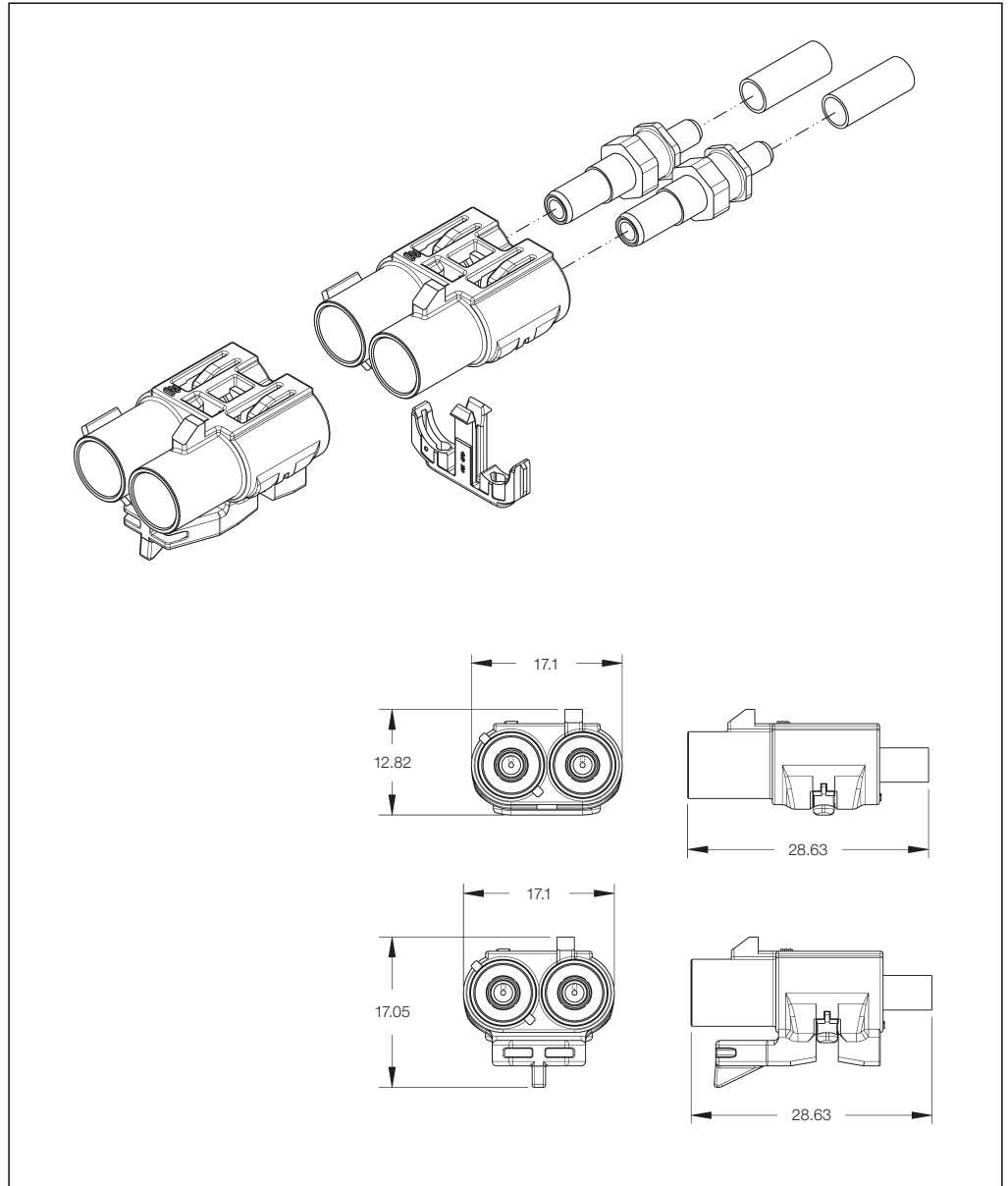
RG 174

Product Specification:

DIN 72594-1

Application Specification:

114-13157



2 Positions Jack Kit

Keying Options	Housing Color	Part Numbers		
		Jack Kit	Contacts *	Mating Plug Kit
C2	Signal Blue	2035049-3	1438890-8	2035050-3
		1-2035049-3		

*) Pin Contact Part No. 1438890-8 must be purchased separately.
Part Number 1-2035049-3 has body clip slot.

2 Positions Jack Kit for RG 174 and RG 58/RG 58LL

Technical Features

No. of Positions:

2 Positions Jack Kit,
Unassembled

Housing Material:

Polyester PBT

Wire Size Range:

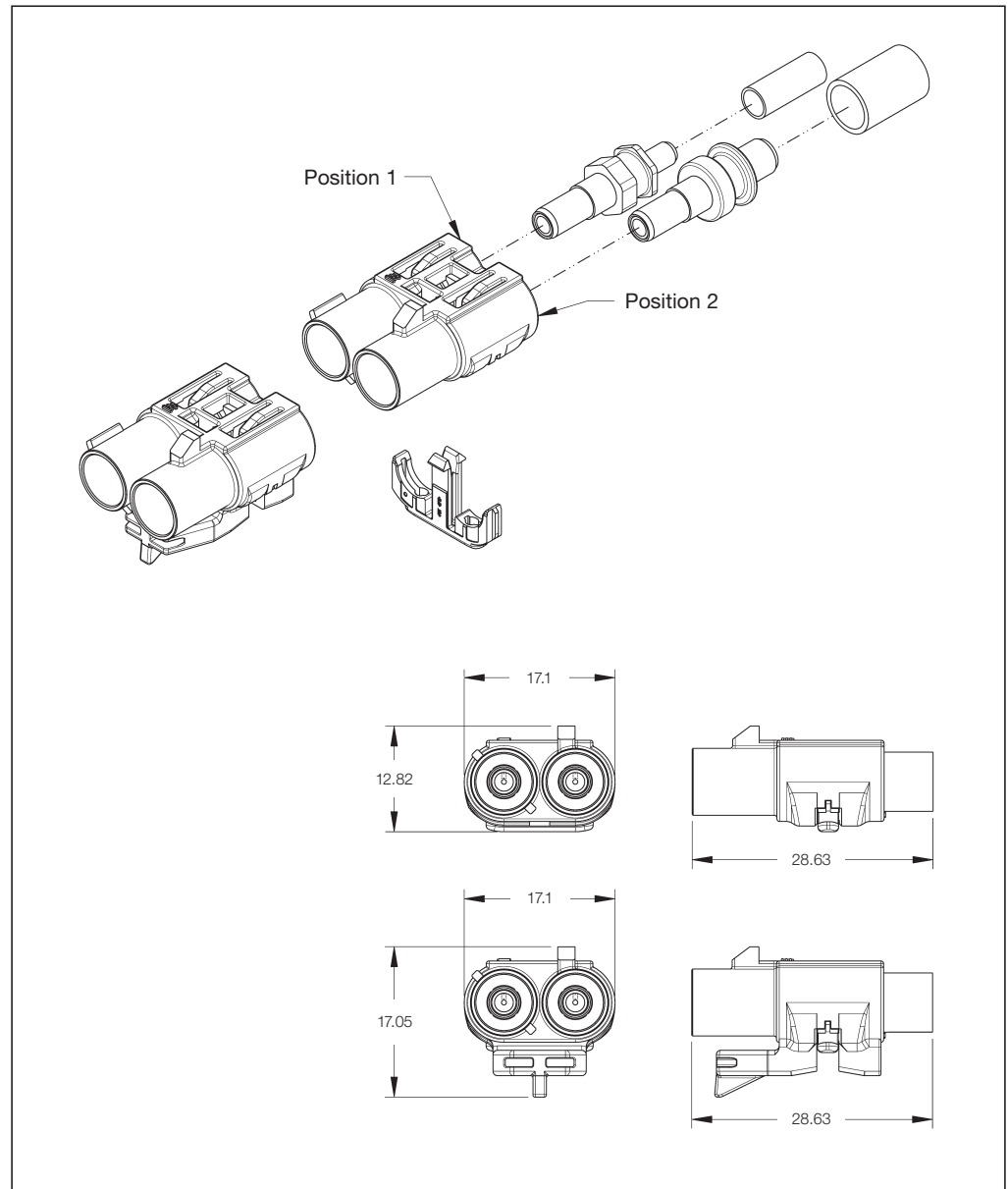
RG 174 and RG 58/RG 58LL

Product Specification:

DIN 72594-1

Application Specification:

114-13157



2 Positions Jack Kit

Keying Options	Housing Color	Part Numbers		
		Jack Kit	Contacts *	Mating Plug Kit
C2	Signal Blue	2035242-3	1438890-7	2035243-3
		1-2035242-3	and 1438890-8	

*) Pin Contact Part No. 1438890-7 must be purchased separately for RG 58 and RG 58LL.
Pin Contact Part No. 1438890-8 must be purchased separately for RG 174 Mini.
Part Number 1-2035242-3 has body clip slot.

2 Positions Jack Kit for 1.5DS and 1.5DS

Technical Features

No. of Positions:

2 Positions Jack Kit,
Unassembled

Housing Material:

Polyester PBT

Wire Size Range:

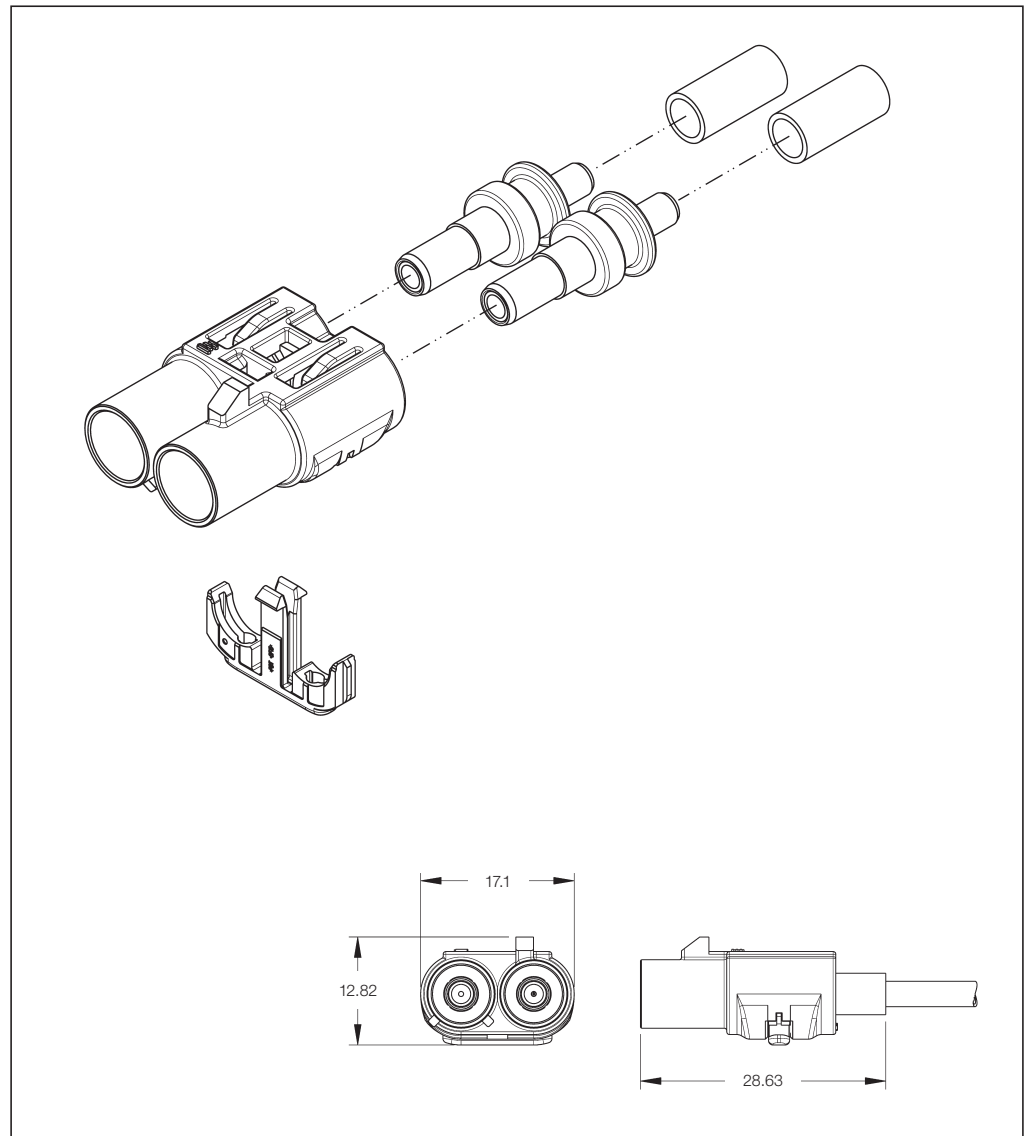
1.5DS

Product Specification:

DIN 72594-1

Application Specification:

114-13157



2 Positions Jack Kit

Keying Options	Housing Color	Part Numbers		
		Jack Kit	Contacts*	Mating Plug Kit
K2	Curry	1-2098134-0	1438890-8	6-2098140-0

*) Pin Contact Part No. 1438890-8 must be purchased separately.

2 Positions Jack Kit for RG 174 and RG 71U/M

Technical Features

No. of Positions:

2 Positions Jack Kit,
Unassembled

Housing Material:

Polyester PBT

Wire Size Range:

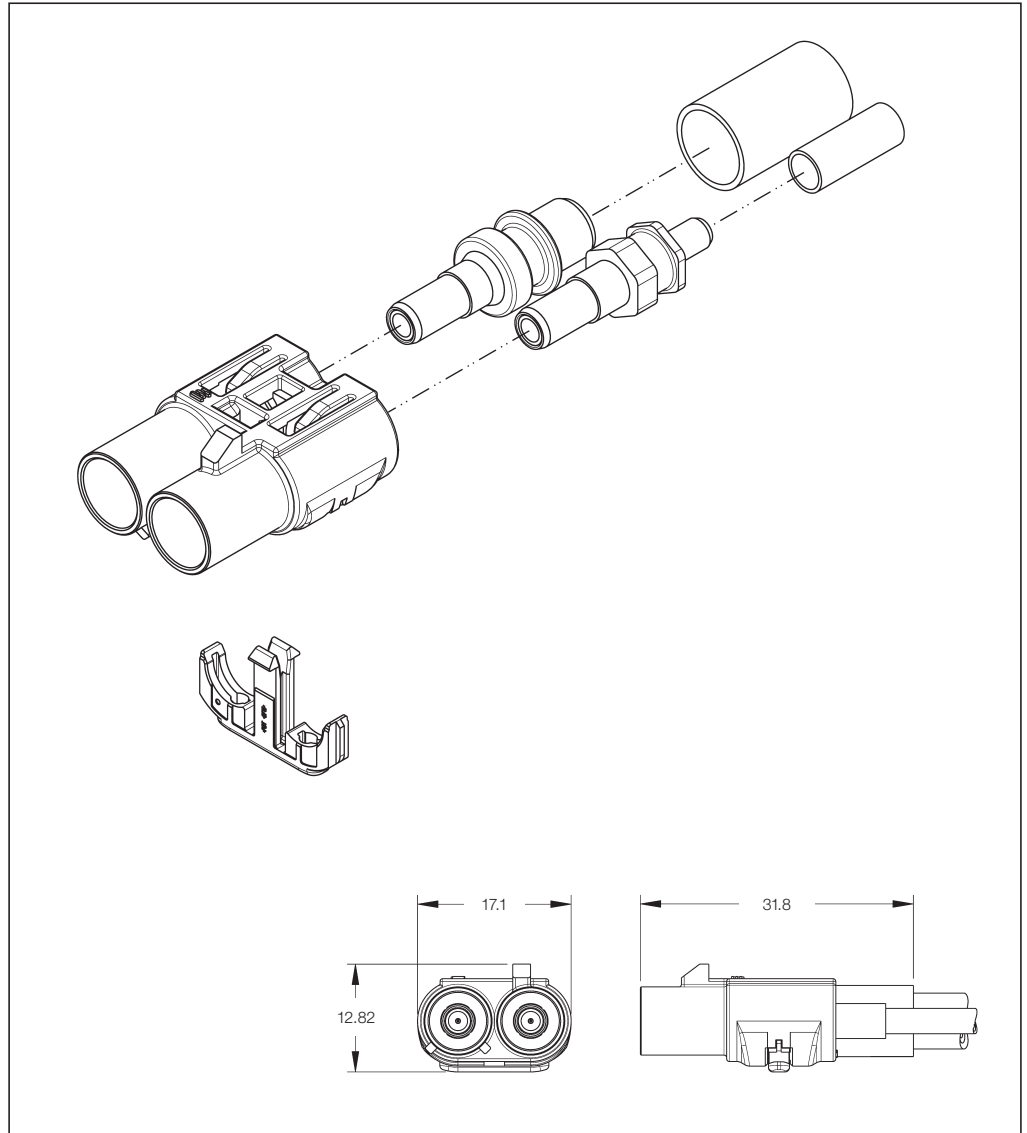
RG 174 and RG 71U/M

Product Specification:

DIN 72594-1

Application Specification:

114-13157



2 Positions Jack Kit

Keying Options	Housing Color	Part Numbers		
		Jack Kit	Contacts*	Mating Plug Kit
K2	Curry	1-2098135-0	1438890-8 and 1438890-9	6-2098141-0

*) Pin Contact Part No. 1438890-8 must be purchased separately for RG 174.
Pin Contact Part No. 1438890-9 must be purchased separately for RG 71U/M.

2 Positions Jack Kit for 1.5DS and RG 71U/M

Technical Features

No. of Positions:

2 Positions Jack Kit,
Unassembled

Housing Material:

Polyester PBT

Wire Size Range:

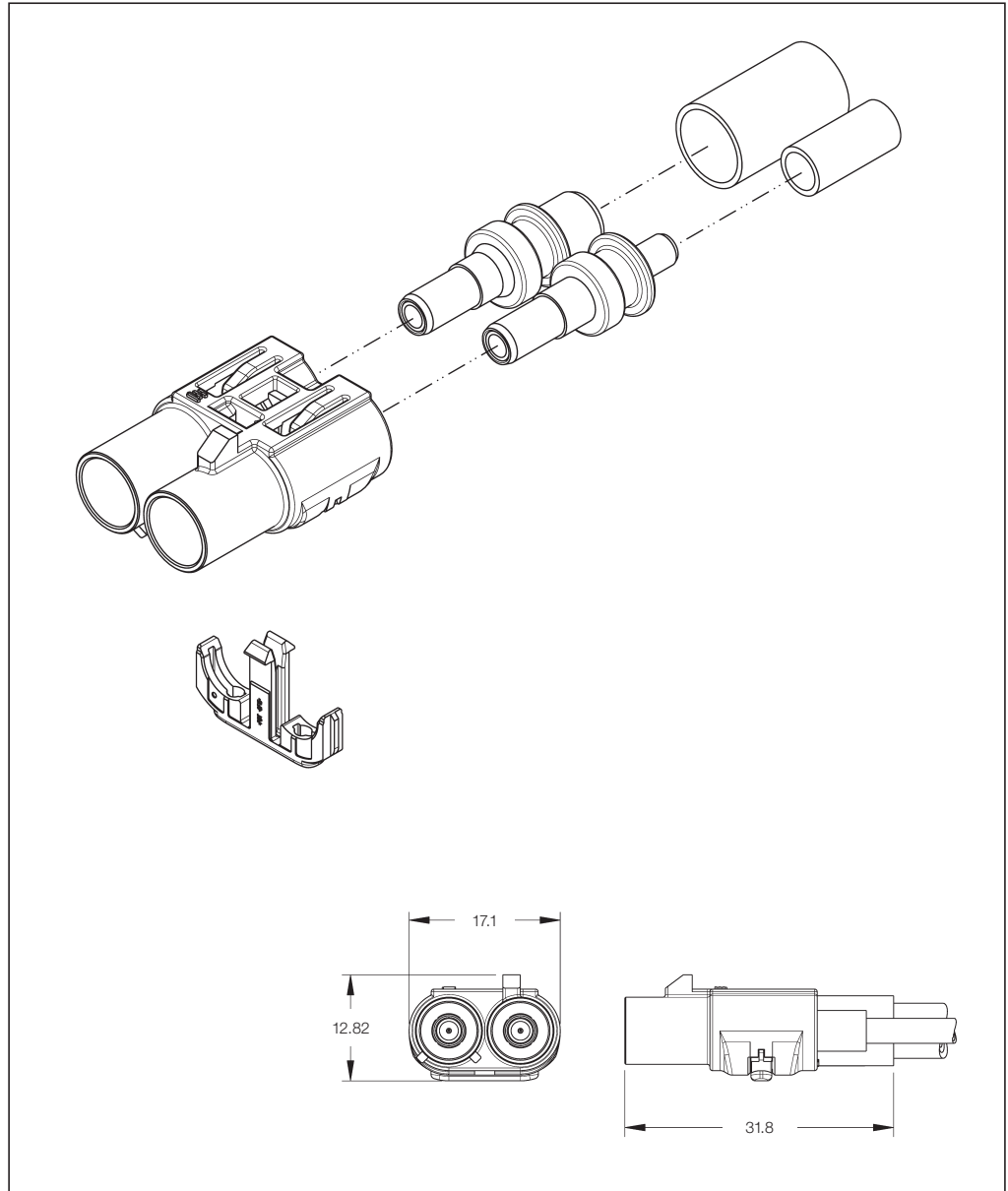
1.5DS and RG 71U/M

Product Specification:

DIN 72594-1

Application Specification:

114-13157



2 Positions Jack Kit

Keying Options	Housing Color	Part Numbers		
		Jack Kit	Contacts *	Mating Plug Kit
K2	Curry	1-2098136-0	1438890-8 and 1438890-9	6-2098142-0

*) Pin Contact Part No. 1438890-8 must be purchased separately for 1.5DS.
Pin Contact Part No. 1438890-9 must be purchased separately for RG 71U/M.

2 Positions Plug Kit for RG 174 and RG 174

Technical Features

No. of Positions:

2 Positions Plug Kit,
Unassembled

Housing Material:

Polyester PBT

Wire Size Range:

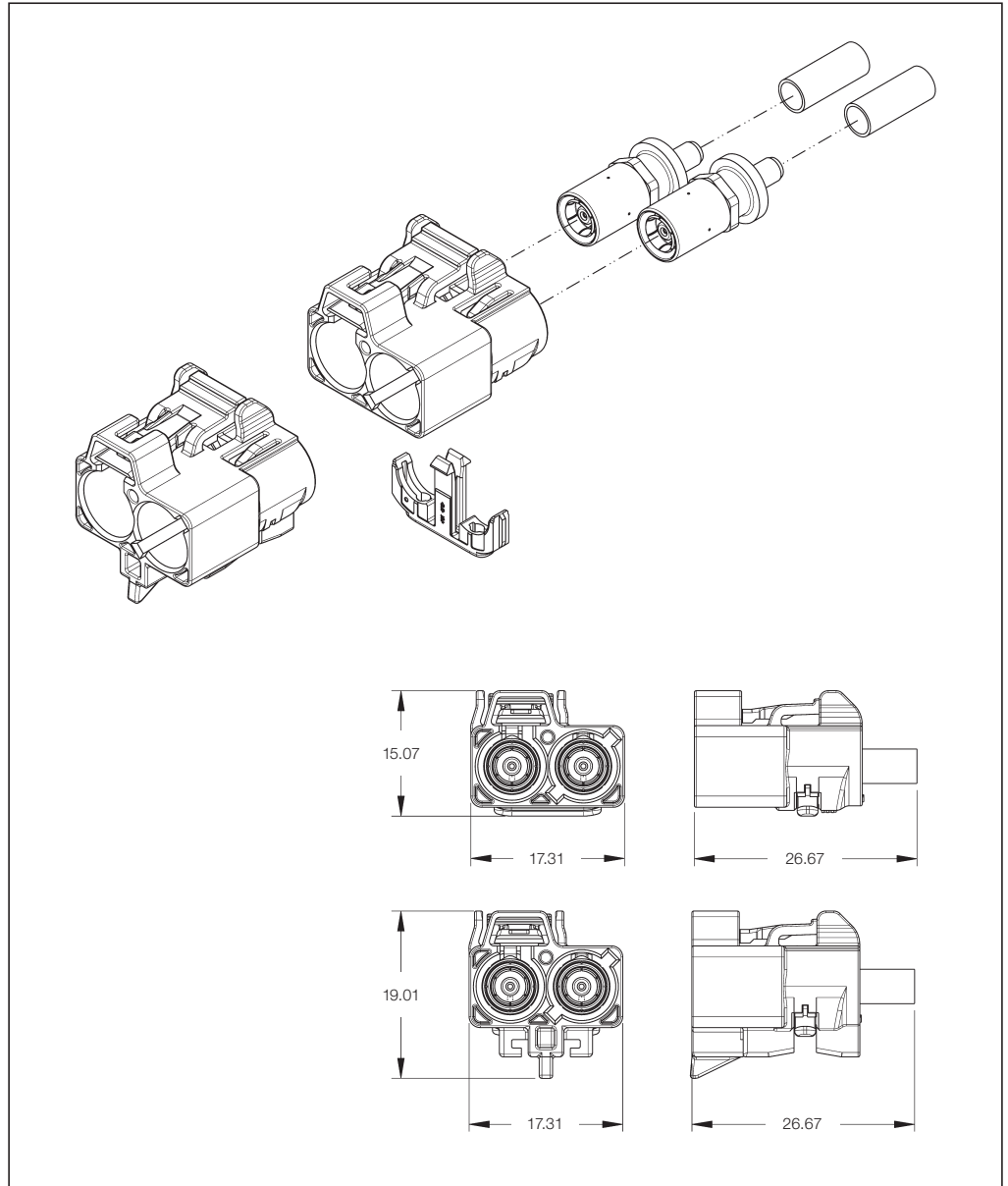
RG 174

Product Specification:

DIN 72594-1

Application Specification:

114-13157



2 Positions Plug Kit

Keying Options	Housing Color	Part Numbers		
		Plug Kit	Contacts *	Mating Jack Kit
C2	Signal Blue	2035050-3	1438896-4	2035049-3
		1-2035050-3		

*) Socket Contact Part No. 1438896-4 must be purchased separately.
Part Number 1-2035050-3 has body clip slot.

2 Positions Plug Kit for RG 174 and RG 58/RG 58LL

Technical Features

No. of Positions:

2 Positions Plug Kit,
Unassembled

Housing Material:

Polyester PBT

Wire Size Range:

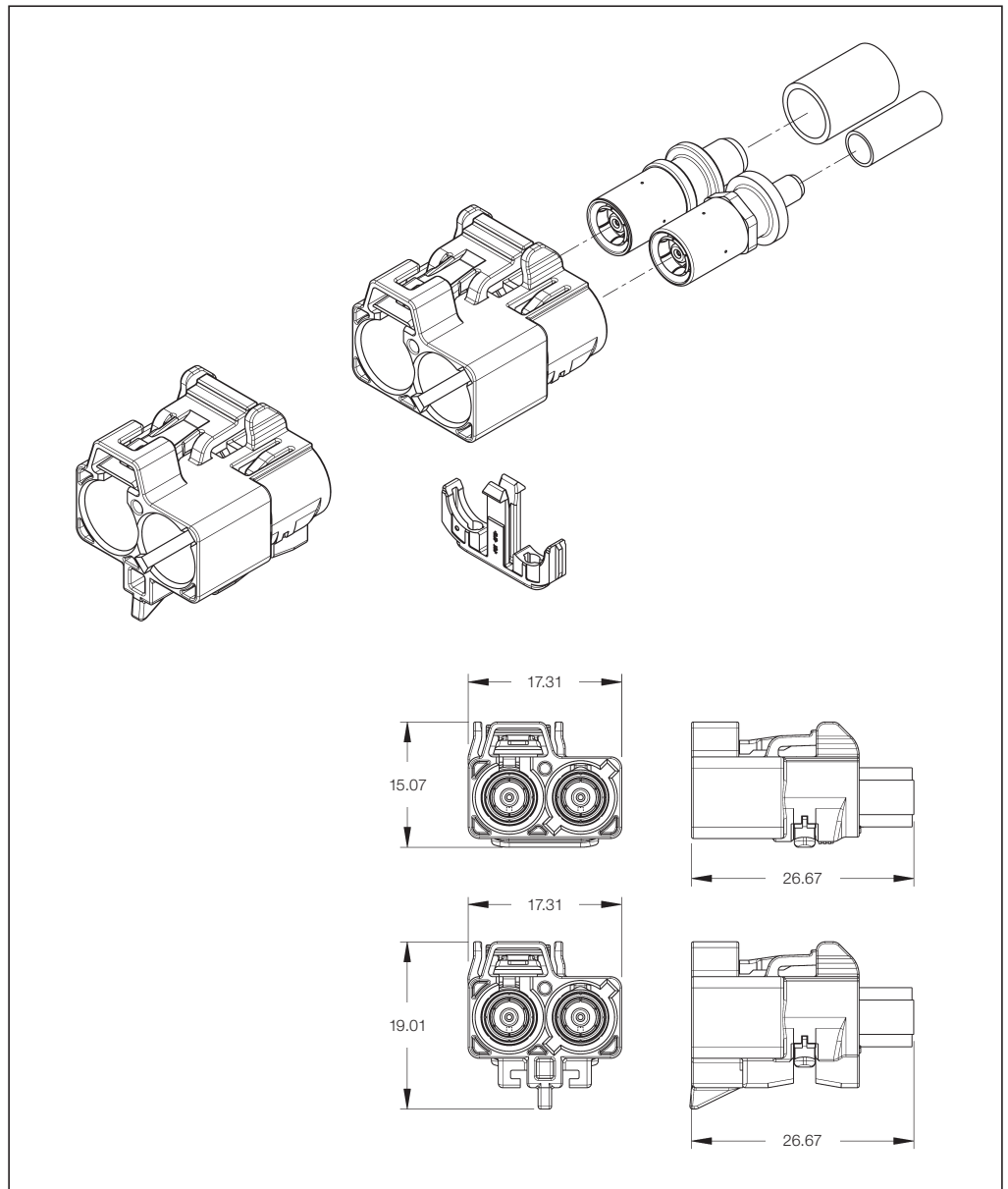
RG 174 and RG 58/RG 58LL

Product Specification:

DIN 72594-1

Application Specification:

114-13157



2 Positions Plug Kit

Keying Options	Housing Color	Part Numbers		
		Plug Kit	Contacts *	Mating Jack Kit
C2	Signal Blue	2035243-3	1438896-2	2035242-3
		1-2035243-3	and 1438896-4	

*) Socket Contact Part No. 1438896-2 must be purchased separately for RG 58 or RG 58LL.
Socket Contact Part No. 1438896-4 must be purchased separately for RG 174.
Part Number 1-2035243-3 has body clip slot.

2 Positions Plug Kit for RG 174 and RG 174

Technical Features

No. of Positions:

2 Positions Plug Kit,
Unassembled

Housing Material:

Polyester PBT

Wire Size Range:

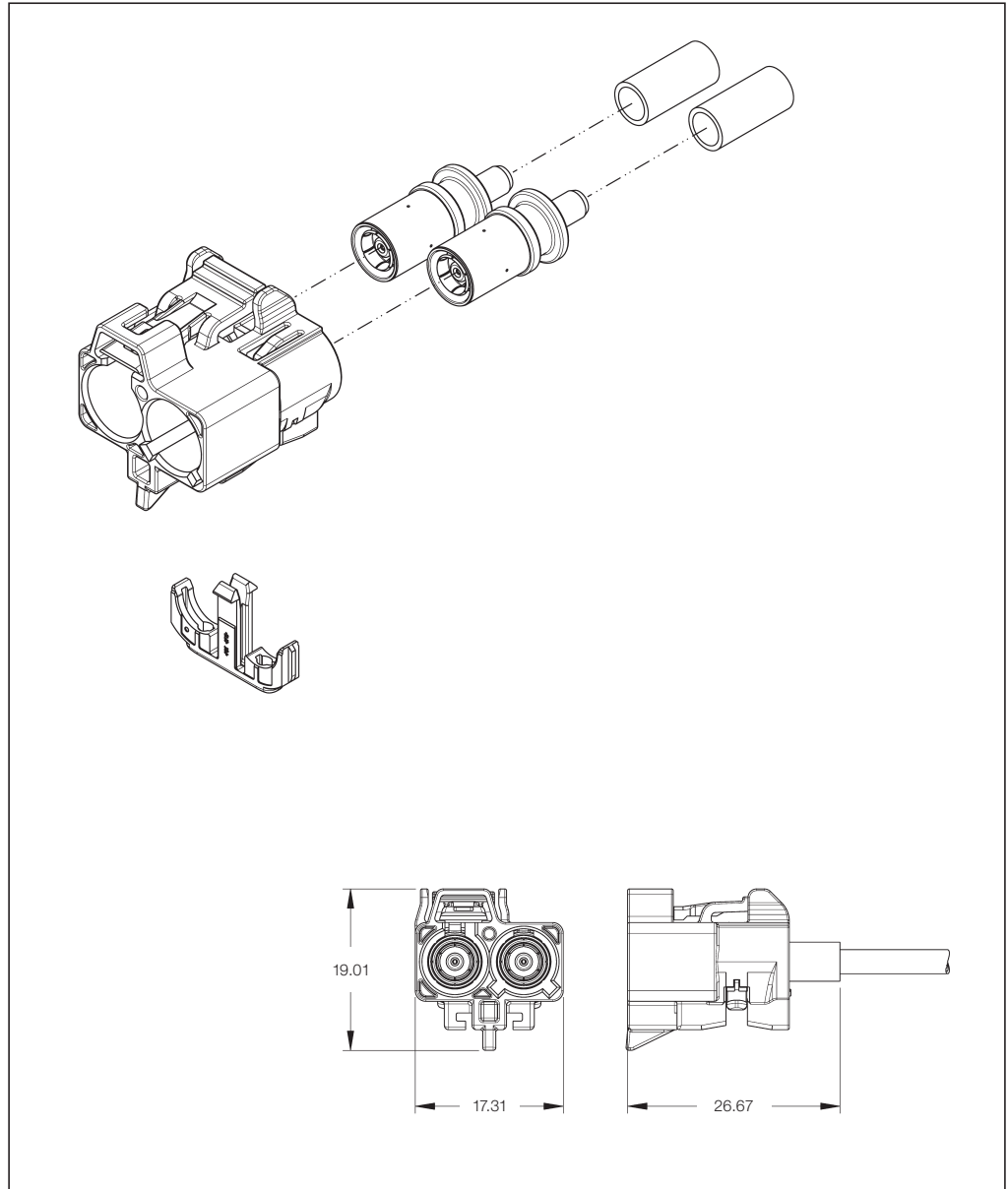
RG 174

Product Specification:

DIN 72594-1

Application Specification:

114-13157



2 Positions Plug Kit

Keying Options	Housing Color	Part Numbers		
		Plug Kit	Contacts *	Mating Jack Kit
K2	Curry	6-2098140-0	1438896-4	1-2098134-0

*) Socket Contact Part No. 1438896-4 must be purchased separately.
Part Number 6-2098140-0 has body clip slot.

2 Positions Plug Kit for RG 174 and RG 71U/M

Technical Features

No. of Positions:

2 Positions Plug Kit,
Unassembled

Housing Material:

Polyester PBT

Wire Size Range:

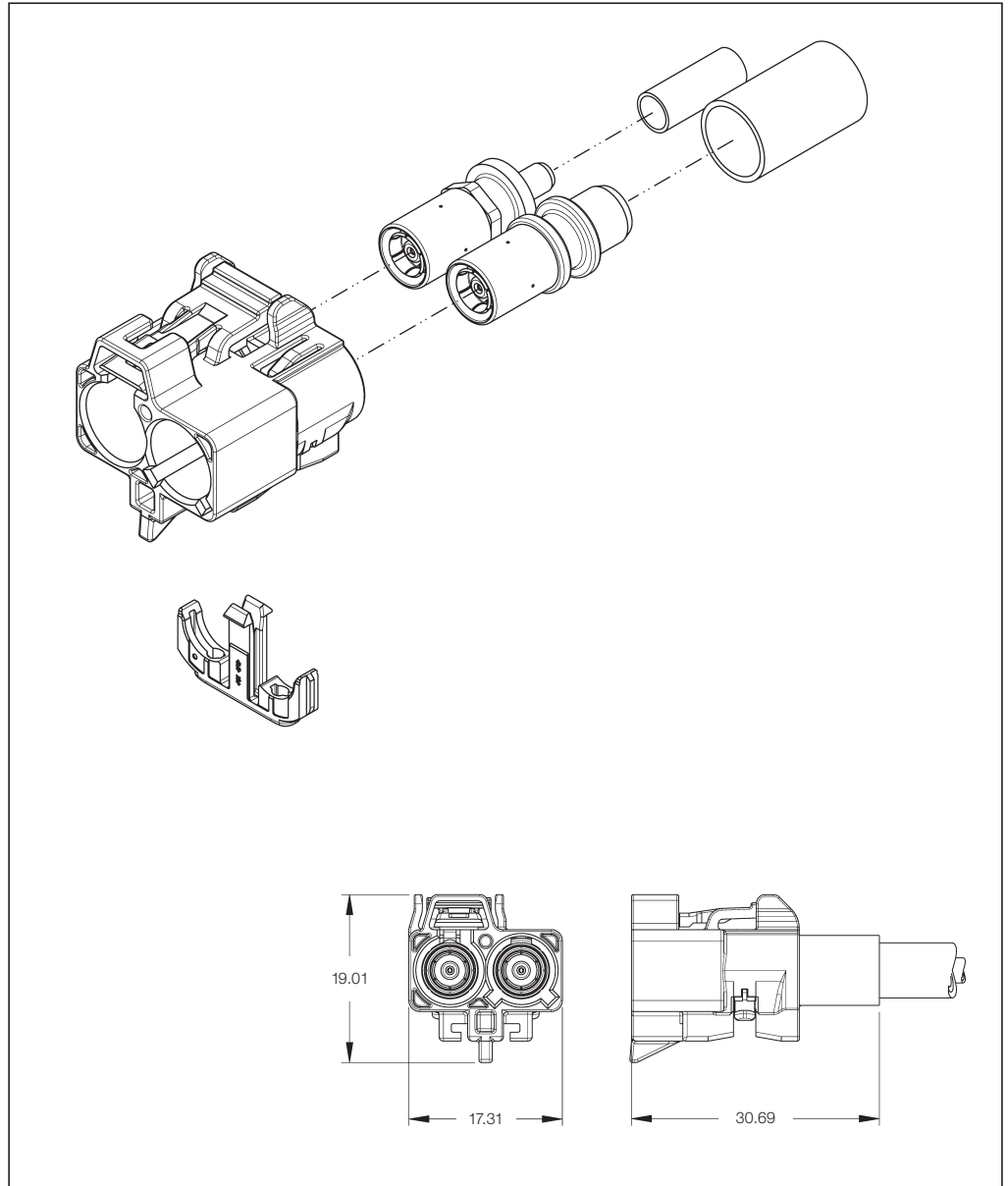
RG 174 and RG 71U/M

Product Specification:

DIN 72594-1

Application Specification:

114-13157



2 Positions Plug Kit

Keying Options	Housing Color	Part Numbers		
		Plug Kit	Contacts *	Mating Jack Kit
K2	Curry	6-2098141-0	1438896-4 and 1438896-6	1-2098135-0

*) Socket Contact Part No. 1438896-4 must be purchased separately for RG 174.
Socket Contact Part No. 1438896-6 must be purchased separately for RG 71U/M.
Part Number 6-2098141-0 has body clip slot.

2 Positions Plug Kit for 1.5DS and RG 71U/M

Technical Features

No. of Positions:

2 Positions Plug Kit,
Unassembled

Housing Material:

Polyester PBT

Wire Size Range:

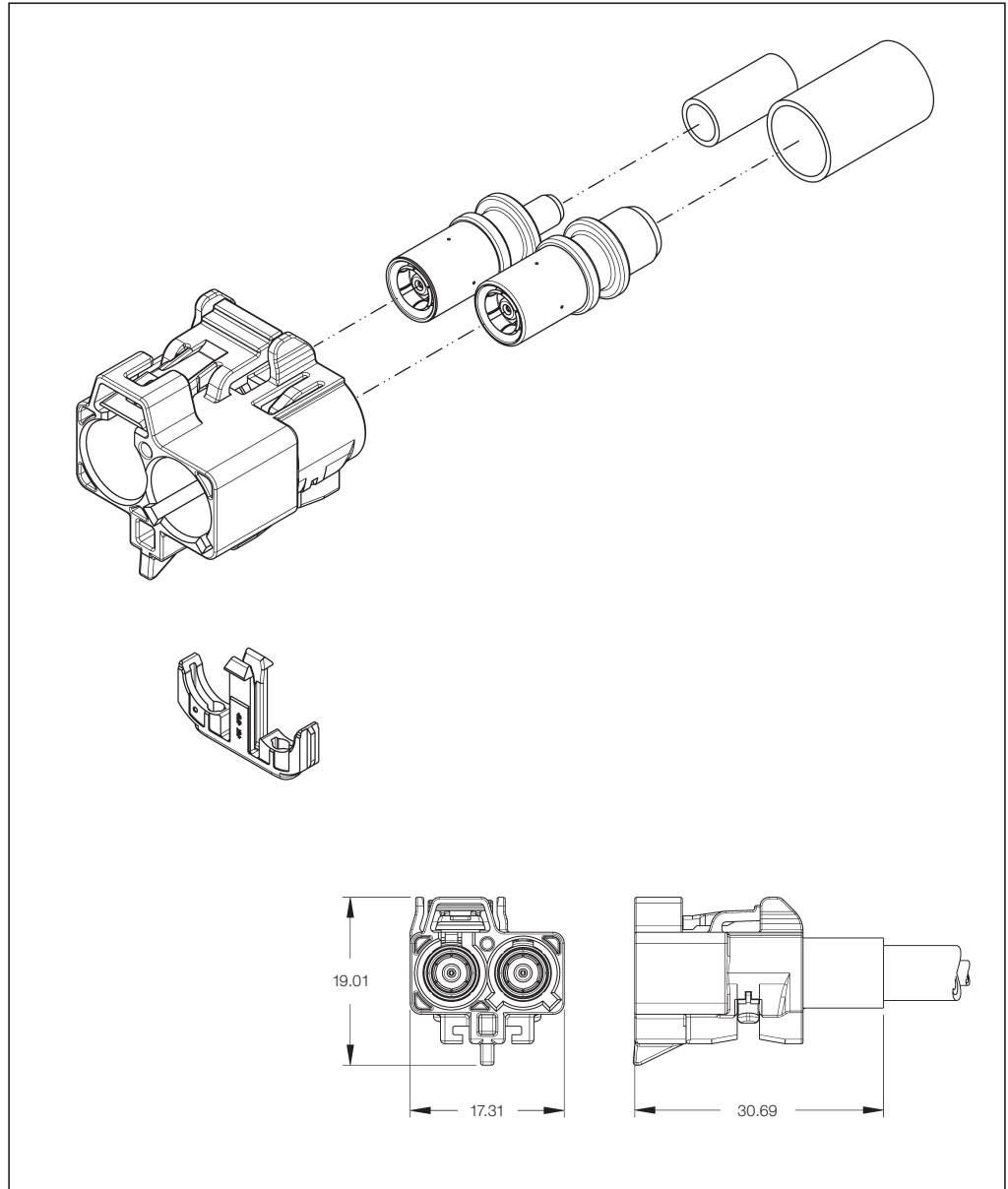
1.5DS and RG 71U/M

Product Specification:

DIN 72594-1

Application Specification:

114-13157



2 Positions Plug Kit

Keying Options	Housing Color	Part Numbers		
		Plug Kit	Contacts *	Mating Jack Kit
K2	Curry	6-2098142-0	1438896-4 and 1438896-6	1-2098136-0

*) Socket Contact Part No. 1438896-4 must be purchased separately for 1.5DS.
Socket Contact Part No. 1438896-6 must be purchased separately for RG 71U/M.
Part Number 6-2098142-0 has body clip slot.

Numerical Index

Part Number	Page	Part Number	Page	Part Number	Page	Part Number	Page
1-413889-3	7-2, 7-5, 7-6, 7-7	5-776682-4	7-52	1438891-1	7-29, 7-39, 7-40	1-1438897-0	7-29, 7-38, 7-39
539635-1	7-2, 7-3, 7-4, 7-5, 7-6, 7-7, 7-8, 7-9, 7-10, 7-11, 7-12, 7-13	5-776682-5	7-52	1438891-2	7-29, 7-39, 7-40	5-1438897-1	7-39
9-541781-7	7-3	5-776682-6	7-52	1438891-3	7-29, 7-39, 7-40	5-1438897-2	7-39
9-541782-7	7-2, 7-4, 7-5, 7-6, 7-7, 7-11, 7-12, 7-13	5-776682-7	7-52	1438891-4	7-29, 7-39, 7-40	5-1438897-3	7-39
9-541797-7	7-8, 7-9, 7-10	5-776682-8	7-52	1438891-6	7-29, 7-39, 7-40	5-1438897-4	7-39
601966-1	7-5, 7-6, 7-7, 7-8, 7-9, 7-10	6-776682-0	7-52	1438891-8	7-29, 7-39, 7-40	5-1438897-5	7-39
680900-1	7-27, 7-28	776683-1	7-37, 7-53	1-1438891-0	7-29, 7-39, 7-40	5-1438897-6	7-39
776681-1	7-37, 7-52, 7-53	776683-2	7-37, 7-53	5-1438891-1	7-29	5-1438897-7	7-39
776681-2	7-37, 7-52, 7-53	776683-3	7-37, 7-53	5-1438891-2	7-29	5-1438897-8	7-39
776681-3	7-37, 7-52, 7-53	776683-4	7-37, 7-53	5-1438891-3	7-29	6-1438897-0	7-39
776681-4	7-37, 7-52, 7-53	776683-5	7-53	5-1438891-4	7-29	1438904-1	7-29, 7-40
776681-6	7-37, 7-52, 7-53	776683-6	7-37, 7-53	5-1438891-6	7-29	1438904-2	7-29, 7-40
776681-8	7-37, 7-52, 7-53	776683-7	7-53	5-1438891-8	7-29	1438904-3	7-29, 7-40
1-776681-0	7-37, 7-52, 7-53	1-776683-0	7-37, 7-53	6-1438891-0	7-29	1438904-4	7-29, 7-40
5-776681-1	7-37	776797-1	7-38	1438896-2	7-27, 7-41, 7-42, 7-60	1438904-5	7-40
5-776681-2	7-37	776797-2	7-38	1438896-4	7-27, 7-39, 7-40, 7-41, 7-42, 7-43, 7-44, 7-47, 7-48, 7-51, 7-52, 7-53, 7-59, 7-60, 7-61, 7-62, 7-63	1438904-6	7-29, 7-40
5-776681-3	7-37	776797-3	7-38	1438896-6	7-27, 7-43, 7-44, 7-45, 7-46, 7-49, 7-50, 7-62, 7-63	1438904-7	7-40
5-776681-4	7-37	776797-4	7-38	1438897-1	7-29, 7-38, 7-39	1438904-8	7-29, 7-40
5-776681-6	7-37	776797-6	7-38	1438897-2	7-29, 7-38, 7-39	1-1438904-0	7-40
5-776681-8	7-37	776797-8	7-38	1438897-3	7-29, 7-38, 7-39	1-1438904-4	7-29
6-776681-0	7-37	1-776797-0	7-38	1438897-4	7-29, 7-38, 7-39	1438911-1	7-30, 7-41, 7-42
776682-1	7-37, 7-52	956163-2	7-3, 7-8, 7-9, 7-10	1438897-5	7-39	1438911-2	7-30, 7-41, 7-42
776682-2	7-37, 7-52	956339-1	7-3, 7-8, 7-9, 7-10	1438897-6	7-29, 7-38, 7-39	1438911-3	7-30, 7-41, 7-42
776682-3	7-37, 7-52	956339-2	7-3, 7-8, 7-9, 7-10	1438897-7	7-39	1438911-4	7-30, 7-41, 7-42
776682-4	7-37, 7-52	1385456-3	7-27, 7-28	1438897-8	7-29, 7-38, 7-39	1438911-6	7-30, 7-41, 7-42
776682-5	7-52	1385623-3	7-27, 7-28	1438897-8	7-29, 7-38, 7-39	1438911-8	7-30, 7-41, 7-42
776682-6	7-37, 7-52	1385624-3	7-27, 7-28	1438897-8	7-29, 7-38, 7-39	1-1438911-0	7-30, 7-41, 7-42
776682-7	7-52	1385675-3	7-27, 7-28	1438897-8	7-29, 7-38, 7-39	5-1438911-1	7-30
776682-8	7-37, 7-52	1418970-1	7-7, 7-13	1438897-8	7-29, 7-38, 7-39	5-1438911-2	7-30
1-776682-0	7-37, 7-52	1418971-1	7-5, 7-6, 7-11, 7-12	1438897-8	7-29, 7-38, 7-39	5-1438911-3	7-30
5-776682-1	7-52	1418972-1	7-10	1438897-8	7-29, 7-38, 7-39	5-1438911-4	7-30
5-776682-2	7-52	1418973-1	7-8, 7-9	1438897-8	7-29, 7-38, 7-39	5-1438911-6	7-30
5-776682-3	7-52	1418990-1	7-3	1438897-8	7-29, 7-38, 7-39	5-1438911-8	7-30
5-776682-3	7-52	1418993-1	7-3, 7-4	1438897-8	7-29, 7-38, 7-39	6-1438911-0	7-30
		1438890-7	7-28, 7-30, 7-55	1438897-8	7-29, 7-38, 7-39	1438912-1	7-31, 7-43, 7-44
		1438890-8	7-28, 7-29, 7-30, 7-31, 7-33, 7-35, 7-36, 7-37, 7-38, 7-54, 7-55, 7-56, 7-57, 7-58	1438897-8	7-29, 7-38, 7-39	1438912-2	7-31, 7-43, 7-44
		1438890-9	7-28, 7-31, 7-32, 7-34, 7-35, 7-57, 7-58	1438897-8	7-29, 7-38, 7-39	1438912-3	7-31, 7-43, 7-44

Numerical Index

Part Number	Page	Part Number	Page	Part Number	Page	Part Number	Page
1438912-8	7-31, 7-43, 7-44	5-1438922-5	7-45	5-1438955-8	7-47	1438959-2	7-34, 7-50
1-1438912-0	7-31, 7-43, 7-44	5-1438922-6	7-45	6-1438955-0	7-47	1438959-3	7-34, 7-50
5-1438912-1	7-31	5-1438922-7	7-45	1438956-1	7-33, 7-48	1438959-4	7-34, 7-50
5-1438912-2	7-31	5-1438922-8	7-45	1438956-2	7-33, 7-48	1438959-5	7-50
5-1438912-3	7-31	6-1438922-0	7-45	1438956-3	7-33, 7-48	1438959-6	7-34, 7-50
5-1438912-4	7-31	1438923-1	7-32, 7-46	1438956-4	7-33, 7-48	1438959-7	7-50
5-1438912-6	7-31	1438923-2	7-32, 7-46	1438956-5	7-48	1438959-8	7-34, 7-50
5-1438912-8	7-31	1438923-3	7-32, 7-46	1438956-6	7-33, 7-48	1-1438959-0	7-50
6-1438912-0	7-31	1438923-4	7-32, 7-46	1438956-7	7-48	1-1438959-4	7-34
1438919-1	7-30, 7-41	1438923-5	7-46	1438956-8	7-33, 7-48	1438960-1	7-34, 7-49, 7-50
1438919-2	7-30, 7-41	1438923-6	7-32, 7-46	1-1438956-0	7-48	1438960-2	7-34, 7-49, 7-50
1438919-3	7-30, 7-41	1438923-7	7-46	1-1438956-4	7-33	1438960-3	7-34, 7-49, 7-50
1438919-4	7-30, 7-41	1438923-8	7-32, 7-46	1438957-1	7-33, 7-47, 7-48	1438960-4	7-34, 7-49, 7-50
1438919-5	7-41	1-1438923-0	7-46	1438957-2	7-33, 7-47, 7-48	1438960-6	7-34, 7-49, 7-50
1438919-6	7-30, 7-41	1-1438923-4	7-32	1438957-3	7-33, 7-47, 7-48	1438960-8	7-34, 7-49, 7-50
1438919-7	7-41	1438924-1	7-32, 7-45, 7-46	1438957-4	7-33, 7-47, 7-48	1-1438960-0	7-34, 7-49, 7-50
1438919-8	7-30, 7-41	1438924-2	7-32, 7-45, 7-46	1438957-6	7-33, 7-47, 7-48	5-1438960-1	7-34
1-1438919-0	7-30, 7-41	1438924-3	7-32, 7-45, 7-46	1438957-8	7-33, 7-47, 7-48	5-1438960-2	7-34
5-1438919-1	7-41	1438924-4	7-32, 7-45, 7-46	1-1438957-0	7-33, 7-47, 7-48	5-1438960-3	7-34
5-1438919-2	7-41	1438924-6	7-32, 7-45, 7-46	5-1438957-1	7-33	5-1438960-4	7-34
5-1438919-3	7-41	1438924-8	7-32, 7-45, 7-46	5-1438957-2	7-33	5-1438960-6	7-34
5-1438919-4	7-41	1-1438924-0	7-32, 7-45, 7-46	5-1438957-3	7-33	5-1438960-8	7-34
5-1438919-5	7-41	5-1438924-1	7-32	5-1438957-4	7-33	6-1438960-0	7-34
5-1438919-6	7-41	5-1438924-2	7-32	5-1438957-6	7-33	1449103-1	7-2, 7-5, 7-6, 7-7
5-1438919-7	7-41	5-1438924-3	7-32	5-1438957-8	7-33	1452480-1	7-16, 7-17, 7-18
5-1438919-8	7-41	5-1438924-4	7-32	6-1438957-0	7-33	1452480-2	7-16, 7-17, 7-18
6-1438919-0	7-41	5-1438924-6	7-32	1438958-1	7-34, 7-49	1452480-3	7-16, 7-17, 7-18
1438920-1	7-30, 7-42	5-1438924-8	7-32	1438958-2	7-34, 7-49	1452480-4	7-16, 7-17, 7-18
1438920-2	7-30, 7-42	5-1438924-0	7-32	1438958-3	7-34, 7-49	1452480-5	7-16, 7-17, 7-18
1438920-3	7-30, 7-42	1438955-1	7-33, 7-47	1438958-4	7-34, 7-49	1452480-6	7-16, 7-17, 7-18
1438920-4	7-30, 7-42	1438955-2	7-33, 7-47	1438958-5	7-49	1452480-7	7-16, 7-17, 7-18
1438920-5	7-42	1438955-3	7-33, 7-47	1438958-6	7-34, 7-49	1452480-8	7-16, 7-17, 7-18
1438920-6	7-30, 7-42	1438955-4	7-33, 7-47	1438958-7	7-49	1452480-9	7-16, 7-17, 7-18
1438920-7	7-42	1438955-5	7-47	1438958-8	7-34, 7-49	1-1452480-0	7-16, 7-17, 7-18
1438920-8	7-30, 7-42	1438955-6	7-33, 7-47	1-1438958-0	7-34, 7-49		
1-1438920-0	7-42	1438955-7	7-47	5-1438958-1	7-49		
1-1438920-4	7-30	1438955-8	7-33, 7-47	5-1438958-2	7-49		
1438922-1	7-32, 7-45	1-1438955-0	7-33, 7-47	5-1438958-3	7-49		
1438922-2	7-32, 7-45	5-1438955-1	7-47	5-1438958-4	7-49		
1438922-3	7-32, 7-45	5-1438955-2	7-47	5-1438958-5	7-49		
1438922-4	7-32, 7-45	5-1438955-3	7-47	5-1438958-6	7-49		
1438922-5	7-45	5-1438955-4	7-47	5-1438958-7	7-49		
1438922-6	7-32, 7-45	5-1438955-5	7-47	5-1438958-8	7-49		
1438922-7	7-45	5-1438955-6	7-47	6-1438958-0	7-49		
1438922-8	7-32, 7-45	5-1438955-7	7-47	1438959-1	7-34, 7-50		
1-1438922-0	7-32, 7-45						
5-1438922-1	7-45						
5-1438922-2	7-45						
5-1438922-3	7-45						
5-1438922-4	7-45						

Numerical Index

Part Number	Page	Part Number	Page	Part Number	Page	Part Number	Page
1-1452480-1	7-16, 7-17, 7-18	1452581-5	7-14, 7-15, 7-21, 7-22	1488154-1	7-5	1703339-4	7-23
1452483-1	7-17, 7-18, 7-25	1452581-6	7-14, 7-15, 7-21, 7-22	1488155-1	7-5, 7-23, 7-24, 7-25	1703339-5	7-23
1452483-2	7-17, 7-18, 7-25	1452581-7	7-14, 7-15, 7-21, 7-22	1488155-2	7-5, 7-23, 7-24, 7-25	1703339-6	7-23
1452483-3	7-17, 7-18, 7-25	1452581-8	7-14, 7-15, 7-21, 7-22	1488167-1	7-8, 7-9, 7-10, 7-11, 7-12, 7-13	1703339-7	7-23
1452483-4	7-17, 7-18, 7-25	1452581-9	7-14, 7-15, 7-21, 7-22	1488168-1	7-10	1703339-8	7-23
1452483-5	7-17, 7-18, 7-25	1-1452581-0	7-14, 7-15, 7-21, 7-22	1488170-1	7-10	1703339-9	7-23
1452483-6	7-17, 7-18, 7-25	1-1452581-1	7-14, 7-15, 7-21, 7-22	1488170-2	7-10, 7-13	1-1703339-1	7-23
1452483-7	7-17, 7-18, 7-25	1452584-1	7-14, 7-15	1488171-1	7-10	1703488-1	7-4, 7-11, 7-12, 7-13
1452483-8	7-17, 7-18, 7-25	1452584-2	7-14, 7-15	1488171-2	7-10	1718080-2	7-23, 7-24
1452483-9	7-17, 7-18, 7-25	1452584-3	7-14, 7-15	1488172-1	7-8, 7-9	1718252-1	7-23
1-1452483-0	7-17, 7-18	1452584-4	7-14, 7-15	1488174-1	7-8, 7-11	1719241-1	7-3, 7-4
1-1452483-1	7-17, 7-18, 7-25	1452584-5	7-14, 7-15	1488175-1	7-8, 7-23, 7-24, 7-25	1719245-1	7-3, 7-4
2-1452483-1	7-16	1452584-6	7-14, 7-15	1488175-2	7-8, 7-23, 7-24, 7-25	1719252-1	7-3, 7-24
2-1452483-2	7-16	1452584-7	7-14, 7-15	1488269-1	7-5, 7-6	1719261-1	7-21
2-1452483-3	7-16	1452584-8	7-14, 7-15	1-1579001-1	7-2, 7-5, 7-6, 7-7, 7-8, 7-9, 7-10, 7-11, 7-12, 7-13	1719261-2	7-21
2-1452483-4	7-16	1452584-9	7-14, 7-15	1579003-4	7-5, 7-6, 7-7, 7-8, 7-9, 7-10	1719261-3	7-21
2-1452483-5	7-16	1-1452584-0	7-14, 7-15	1579021-4	7-3, 7-4	1719261-4	7-21
2-1452483-6	7-16	1-1452584-1	7-14, 7-15	1670607-1	7-25	1719261-5	7-21
2-1452483-7	7-16	1452587-1	7-19, 7-20	1670607-2	7-25	1719261-6	7-21
2-1452483-8	7-16	1452587-2	7-19, 7-20	1670607-3	7-25	1719261-7	7-21
2-1452483-9	7-16	1452587-3	7-19, 7-20	1670607-4	7-25	1719261-8	7-21
3-1452483-0	7-16	1452587-4	7-19, 7-20	1670607-5	7-25	1719261-9	7-21
3-1452483-1	7-16	1452587-5	7-19, 7-20	1670607-6	7-25	1-1719261-0	7-21
1452484-1	7-23, 7-24	1452587-6	7-19, 7-20	1670607-7	7-25	1-1719261-1	7-21
1452484-2	7-23, 7-24	1452587-7	7-19, 7-20	1670607-8	7-25	1-1719261-3	7-21
1452484-3	7-23, 7-24	1452587-8	7-19, 7-20	1670607-9	7-25	2-1719261-1	7-22
1452484-4	7-23, 7-24	1452587-9	7-19, 7-20	1-1670607-1	7-25	2-1719261-2	7-22
1452484-5	7-23, 7-24	1-1452587-0	7-19, 7-20	1670861-1	7-24	2-1719261-3	7-22
1452484-6	7-23, 7-24	1-1452587-1	7-19, 7-20	1670861-2	7-24	2-1719261-4	7-22
1452484-7	7-23, 7-24	1452697-1	7-19, 7-20	1670861-3	7-24	2-1719261-5	7-22
1452484-8	7-23, 7-24	1452697-2	7-19, 7-20	1670861-4	7-24	2-1719261-6	7-22
1452484-9	7-23, 7-24	1452697-3	7-19, 7-20	1670861-5	7-24	2-1719261-7	7-22
1-1452484-1	7-23, 7-24	1452697-4	7-19, 7-20	1670861-6	7-24	2-1719261-8	7-22
1452581-1	7-14, 7-15, 7-21, 7-22	1452697-5	7-19, 7-20	1670861-7	7-24	2-1719261-9	7-22
1452581-2	7-14, 7-15, 7-21, 7-22	1452697-6	7-19, 7-20	1670861-8	7-24	3-1719261-0	7-22
1452581-3	7-14, 7-15, 7-21, 7-22	1452697-7	7-19, 7-20	1670861-9	7-24	3-1719261-1	7-22
1452581-4	7-14, 7-15, 7-21, 7-22	1452697-8	7-19, 7-20	1-1670861-1	7-24	3-1719261-3	7-22
		1488145-1	7-7	1703339-1	7-23	6-1719261-5	7-21
		1488146-1	7-7	1703339-2	7-23	1719435-1	7-2, 7-5, 7-6, 7-7
		1488146-2	7-7	1703339-3	7-23	1719655-1	7-2, 7-23, 7-24
		1488147-1	7-7			1719656-1	7-2
		1488147-2	7-7			1719658-1	7-2
						1719685-1	7-2, 7-4
						1719791-1	7-6, 7-23, 7-24, 7-25
						1719791-2	7-6, 7-23, 7-24, 7-25
						1719792-1	7-9, 7-23, 7-24, 7-25

Numerical Index

Part Number	Page	Part Number	Page	Part Number	Page	Part Number	Page
1719792-2	7-9, 7-23, 7-24, 7-25	6-1924133-0	7-36	1924792-3	7-43	2035141-1	7-31, 7-44
1719793-1	7-6	1924134-1	7-36, 7-51	1924792-4	7-31, 7-35, 7-43	2035141-2	7-31, 7-44
1719794-1	7-12	1924134-2	7-36, 7-51	1924792-5	7-43	2035141-3	7-31, 7-44
1924127-1	7-35	1924134-3	7-36, 7-51	1924792-6	7-31, 7-35, 7-43	2035141-4	7-31, 7-44
1924127-2	7-35	1924134-4	7-36, 7-51	1924792-7	7-43	2035141-5	7-44
1924127-3	7-35	1924134-5	7-51	1924792-8	7-31, 7-35, 7-43	2035141-6	7-31, 7-44
1924127-4	7-35	1924134-6	7-36, 7-51	1-1924792-0	7-31, 7-35, 7-43	2035141-7	7-44
1924127-6	7-35	1924134-7	7-51	5-1924792-1	7-43	2035141-8	7-31, 7-44
1924127-8	7-35	1924134-8	7-36, 7-51	5-1924792-2	7-43	1-2035141-0	7-44
1-1924127-0	7-35	1-1924134-0	7-36, 7-51	5-1924792-3	7-43	1-2035141-4	7-31
1924133-1	7-36, 7-51	5-1924134-1	7-51	5-1924792-4	7-43	2035242-3	7-55, 7-60
1924133-2	7-36, 7-51	5-1924134-2	7-51	5-1924792-5	7-43	1-2035242-3	7-55
1924133-3	7-36, 7-51	5-1924134-3	7-51	5-1924792-6	7-43	2035243-3	7-55, 7-60
1924133-4	7-36, 7-51	5-1924134-4	7-51	5-1924792-7	7-43	1-2035243-3	7-60
1924133-6	7-36, 7-51	5-1924134-5	7-51	5-1924792-8	7-43	1-2098134-0	7-56, 7-61
1924133-8	7-36, 7-51	5-1924134-6	7-51	6-1924792-0	7-43	1-2098135-0	7-57, 7-62
1-1924133-0	7-36, 7-51	5-1924134-7	7-51	2035049-3	7-54, 7-59	1-2098136-0	7-58, 7-63
5-1924133-1	7-36	5-1924134-8	7-51	1-2035049-3	7-54	6-2098140-0	7-56, 7-61
5-1924133-2	7-36	6-1924134-0	7-51	2035050-3	7-54, 7-59	6-2098141-0	7-57, 7-62
5-1924133-3	7-36	1924792-1	7-31, 7-35, 7-43	1-2035050-3	7-59	6-2098142-0	7-58, 7-63
5-1924133-4	7-36	1924792-2	7-31, 7-35, 7-43				
5-1924133-6	7-36	1924792-3	7-31, 7-35				
5-1924133-8	7-36						

Disclaimer

While Tyco Electronics and its affiliates referenced herein have made every reasonable effort to ensure the accuracy of the information contained in this catalog, Tyco Electronics cannot assure that this information is error free. For this reason, Tyco Electronics does not make any representation or offer any guarantee that such information is accurate, correct, reliable or current. Tyco Electronics reserves the right to make any adjustments to the information at any time. Tyco Electronics expressly disclaims any implied warranty regarding the information contained herein, including, but not limited to, the implied warranties of merchantability or fitness for a particular purpose. Tyco Electronics' only obligations are those stated in Tyco Electronics' Standard Terms and Conditions of Sale. Tyco Electronics will in no case be liable for any incidental, indirect or consequential damages arising from or in connection with, including, but not limited to, the sale, resale, use or misuse of its products. Users should rely on their own judgment to evaluate the suitability of a product for a certain purpose and test each product for its intended application.

In case of any potential ambiguities or questions, please don't hesitate to contact us for clarification.

www.tycoelectronics.com

www.tycoelectronics.com/automotive

AMP, TE (Logo) and Tyco Electronics are trademarks of the Tyco Electronics group of companies and its licensors.

MOST and USCAR are trademarks. Other product names, logos, and company names mentioned herein may be trademarks of their respective owners.

Engineering Notes

