

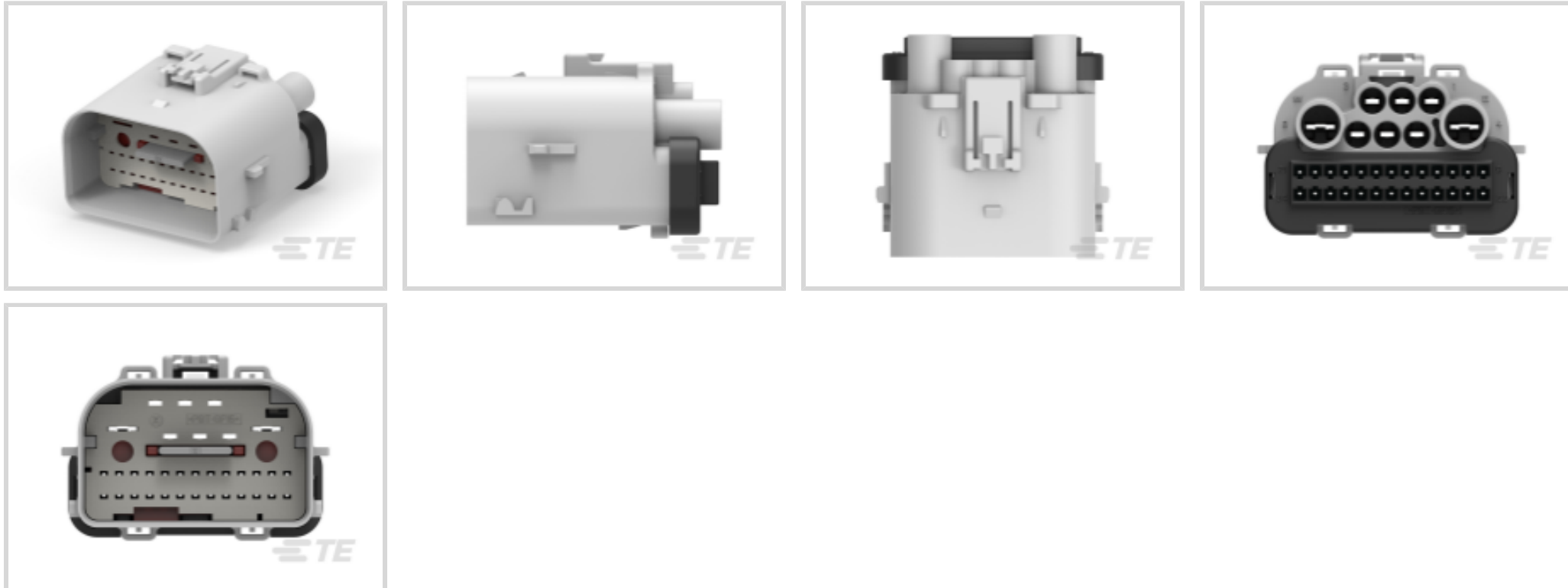


TE Internal #: 1438842-2

Housing for Male Terminals, Wire-to-Wire, 34 Position, 3.5 mm / 6.8 mm [.138 in / .268 in] Centerline, Sealable, Gray, Wire & Cable

[View on TE.com >](#)

Connectors > Automotive Connectors > Automotive Housings



Connector System: **Wire-to-Wire**

Number of Positions: **34**

Connector & Housing Type: **Housing for Male Terminals**

Centerline (Pitch): **3.5 mm, 6.8 mm [ .138 in, .268 in ]**

Sealable: **Yes**

## Features

### Product Type Features

Mixed & Hybrid Connector	Yes
Connector System	Wire-to-Wire
Connector & Housing Type	Housing for Male Terminals
Sealable	Yes
Connector & Contact Terminates To	Wire & Cable
Primary Locking Feature	On the Terminal

### Configuration Features

Number of Positions	34
Number of Rows	4

### Body Features

Primary Product Color	Gray
Connector & Keying Code	B

### Contact Features

Mating Tab Width	1.5 mm, 2.8 mm, 6.3 mm [.059 in][.11 in][.248 in]
------------------	---



**Mechanical Attachment**

Connector Mounting Type	Cable Mount (Free-Hanging)
-------------------------	----------------------------

**Housing Features**

Centerline (Pitch)	3.5 mm, 6.8 mm [.138 in] [.268 in]
--------------------	------------------------------------

**Other**

Connector Position Assurance Capable	No
--------------------------------------	----

**Product Compliance**

[For compliance documentation, visit the product page on TE.com>](#)

EU RoHS Directive 2011/65/EU	Compliant
EU ELV Directive 2000/53/EC	Compliant
China RoHS 2 Directive MIIT Order No 32, 2016	No Restricted Materials Above Threshold
EU REACH Regulation (EC) No. 1907/2006	Current ECHA Candidate List: JUNE 2024 (241) Candidate List Declared Against: JUNE 2024 (241) SVHC > Threshold: Octamethylcyclotetrasiloxane (D4) (.5% in Component Part) Dodecamethylcyclohexasiloxane (D6) (.5% in Component Part) Decamethylcyclopentasiloxane (D5) (.5% in Component Part) <b>Article Safe Usage Statements:</b> Wash thoroughly after handling. Recycle if possible and dispose of the article by following all applicable governmental regulations relevant to your geographic location.
Halogen Content	BFR/CFR/PVC Free, but Br/Cl >900 ppm in other sources.
Solder Process Capability	Not applicable for solder process capability


**Product Compliance Disclaimer**

This information is provided based on reasonable inquiry of our suppliers and represents our current actual knowledge based on the information they provided. This information is subject to change. The part numbers that TE has identified as EU RoHS compliant have a maximum concentration of 0.1% by weight in homogenous materials for lead, hexavalent chromium, mercury, PBB, PBDE, DBP, BBP, DEHP, DIBP, and 0.01% for cadmium, or qualify for an exemption to these limits as defined in the Annexes of Directive 2011/65/EU (RoHS2). Finished electrical and electronic equipment products will be CE marked as required by Directive 2011/65/EU. Components may not be CE marked. Additionally, the part numbers that TE has identified as EU ELV compliant have a maximum concentration of 0.1% by weight in homogenous materials for lead, hexavalent chromium, and mercury, and 0.01% for cadmium, or qualify for an exemption to these limits as defined in the Annexes of Directive 2000/53/EC (ELV). Regarding the REACH Regulation, the information TE provides on SVHC in articles for this part number is based on the latest European Chemicals Agency (ECHA) 'Guidance on requirements for substances in articles' posted at this URL: <https://echa.europa.eu/guidance-documents/guidance-on-reach>

## Compatible Parts



TE Part # 1438841-2  
34WAY IN-LINE PLUG ASSY, INDEX B



TE Part # 6-2203356-4  
34WAY IN-LINE CAP ASSY, KEY A BLKD

TE Part # 2-1438841-4  
34WAY IN-LINE PLUG ASSY, INDEX A

TE Part # 2-1438841-7  
34WAY IN-LINE PLUG ASSY, INDEX A



TE Part # 6-2203356-7  
34WAY IN-LINE CAP ASSY, KEY A BLKD

TE Part # 1-2203654-1  
34WAY IN-LINE PLUG ASSY, INDEX B

TE Part # 1-2203654-4  
34WAY IN-LINE PLUG ASSY, INDEX A

TE Part # 1-2203654-7  
34WAY IN-LINE PLUG ASSY, INDEX A

TE Part # 1438841-7  
34WAY IN-LINE PLUG ASSY, INDEX A BLKD

TE Part # 2-1438841-1  
34WAY IN-LINE PLUG ASSY, INDEX A



TE Part # 2-2203654-6  
34WAY IN-LINE PLUG ASSY, INDEX B

TE Part # 6-2203356-0  
34WAY IN-LINE CAP ASSY, KEY A BLKD

TE Part # 6-2203356-1  
34WAY IN-LINE CAP ASSY, KEY A BLKD

TE Part # 6-2203356-2  
34WAY IN-LINE CAP ASSY, KEY A BLKD

TE Part # 6-2203356-3  
34WAY IN-LINE CAP ASSY, KEY A BLKD

TE Part # 6-2203356-5  
34WAY IN-LINE CAP ASSY, KEY A BLKD

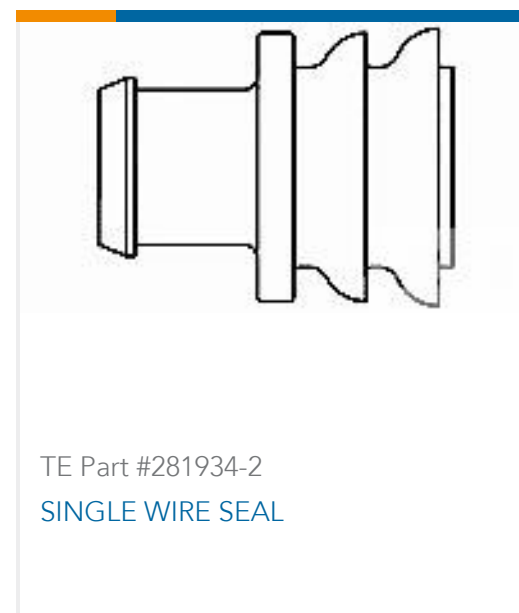
TE Part # 6-2203356-6  
34WAY IN-LINE CAP ASSY, KEY A BLKD

TE Part # 6-2203356-9  
34WAY IN-LINE CAP ASSY, KEY B GRAY



TE Part # 8-1438841-9  
34WAY IN-LINE PLUG ASSY, INDEX B

## Customers Also Bought



## Documents

### Product Drawings

#### 34WAY IN-LINE CAP ASSY, INDEX B

English

### CAD Files

#### 3D PDF

3D

#### Customer View Model

[ENG\\_CVM\\_CVM\\_1438842-2\\_GN.2d\\_dxf.zip](#)

English

#### Customer View Model

[ENG\\_CVM\\_CVM\\_1438842-2\\_GN.3d\\_igs.zip](#)

English

#### Customer View Model

[ENG\\_CVM\\_CVM\\_1438842-2\\_GN.3d\\_stp.zip](#)

English

By downloading the CAD file I accept and agree to the [Terms and Conditions](#) of use.

### Instruction Sheets

#### Instruction Sheet (U.S.)

English

#### Instruction Sheet (U.S.)

English