

Flush-type connector - SACC-CI-M12FS-8CON-L90 SCO



1436990

<https://www.phoenixcontact.com/pc/products/1436990>

Please be informed that the data shown in this PDF document is generated from our Online Catalog. Please find the complete data in the user documentation. Our General Terms of Use for Downloads are valid.



Sensor/actuator flush-type connector, socket, 8-pos., A-coded, with angled solder connection, only contact insert

Your advantages

- Reduced mounting costs thanks to two-piece device connector
- All common pin assignments and codings available
- Easy device integration thanks to mechanical port screw connections with threaded attachment, press-in contour or direct integration in the front plate
- Additional gasket for the device when not plugged in

Flush-type connector - SACC-CI-M12FS-8CON-L90 SCO



1436990

<https://www.phoenixcontact.com/pc/products/1436990>

Commercial Data

Item number	1436990
Packing unit	20 pc
Minimum order quantity	1 pc
Note	Made to Order (non-returnable)
Product Key	ABQCAD
Catalog Page	Page 252 (C-2-2013)
GTIN	4046356438568
Weight per Piece (including packing)	5.502 g
Weight per Piece (excluding packing)	5.195 g
Customs tariff number	85366990
Country of origin	DE

Flush-type connector - SACC-CI-M12FS-8CON-L90 SCO



1436990

<https://www.phoenixcontact.com/pc/products/1436990>

Technical Data

Notes

Notes on operation	The electrical and mechanical data specified assume that the connector pair is correctly locked and mounted. If the connector is unlocked and if there is a danger of contamination, the connector must be sealed using a protective cap > IP54. Influences arising from litz wires, cables or PCB assembly must also be taken into consideration.
--------------------	--

Product properties

Product type	Contact insert
Number of positions	8
Coding	A - standard

Insulation characteristics

Overvoltage category	III
Degree of pollution	3

Electrical properties

Rated surge voltage	0.8 kV
Contact resistance	$\leq 3 \text{ m}\Omega$
Insulation resistance	$\geq 100 \text{ M}\Omega$
Nominal voltage U_N	30 V
Nominal current I_N	2 A

LED signaling

Status display	No
Status display present	No

Material specifications

Flammability rating according to UL 94	V0
Sealing material	FKM / EPDM
Contact material	CuZn
Contact surface material	Au
Contact carrier material	PA 6.6

Connector

Insertion/withdrawal cycles	> 100
-----------------------------	-------

Header 1

Head design	Socket
Head cable outlet	straight
Coding	A-coded

Environmental and real-life conditions

Flush-type connector - SACC-CI-M12FS-8CON-L90 SCO



1436990

<https://www.phoenixcontact.com/pc/products/1436990>

Ambient conditions

Degree of protection	IP67
Degree of protection	IP67
Ambient temperature (operation)	-25 °C ... 85 °C (Plug / socket)
	-40 °C ... 85 °C (without mechanical actuation)

Standards and regulations

M12

Standards/specifications	IEC 61076-2-101
--------------------------	-----------------

Mounting

Mounting type	PCB mounting
---------------	--------------

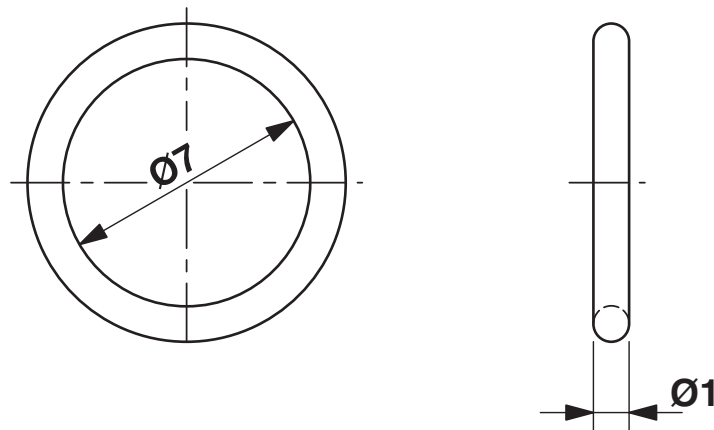
Flush-type connector - SACC-CI-M12FS-8CON-L90 SCO

1436990

<https://www.phoenixcontact.com/pc/products/1436990>

Drawings

Dimensional drawing

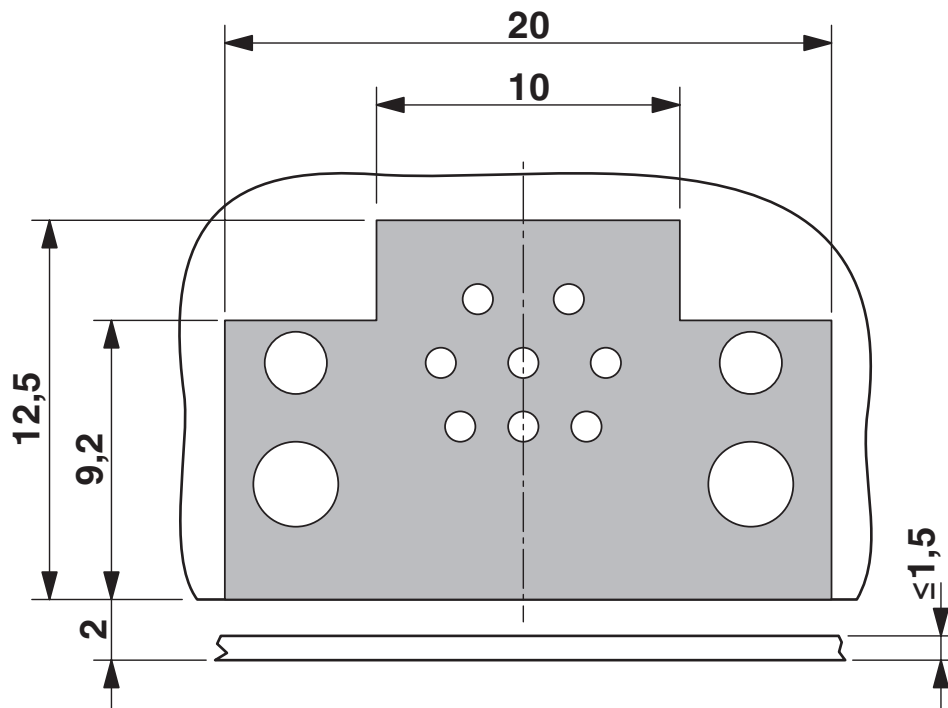


Optionally with O-ring (green) for tight seal when plugged in.

- the axial mating force of 80 N per connector may not be exceeded when using with assembled O-ring!

- Avoid radial forces!

Dimensional drawing



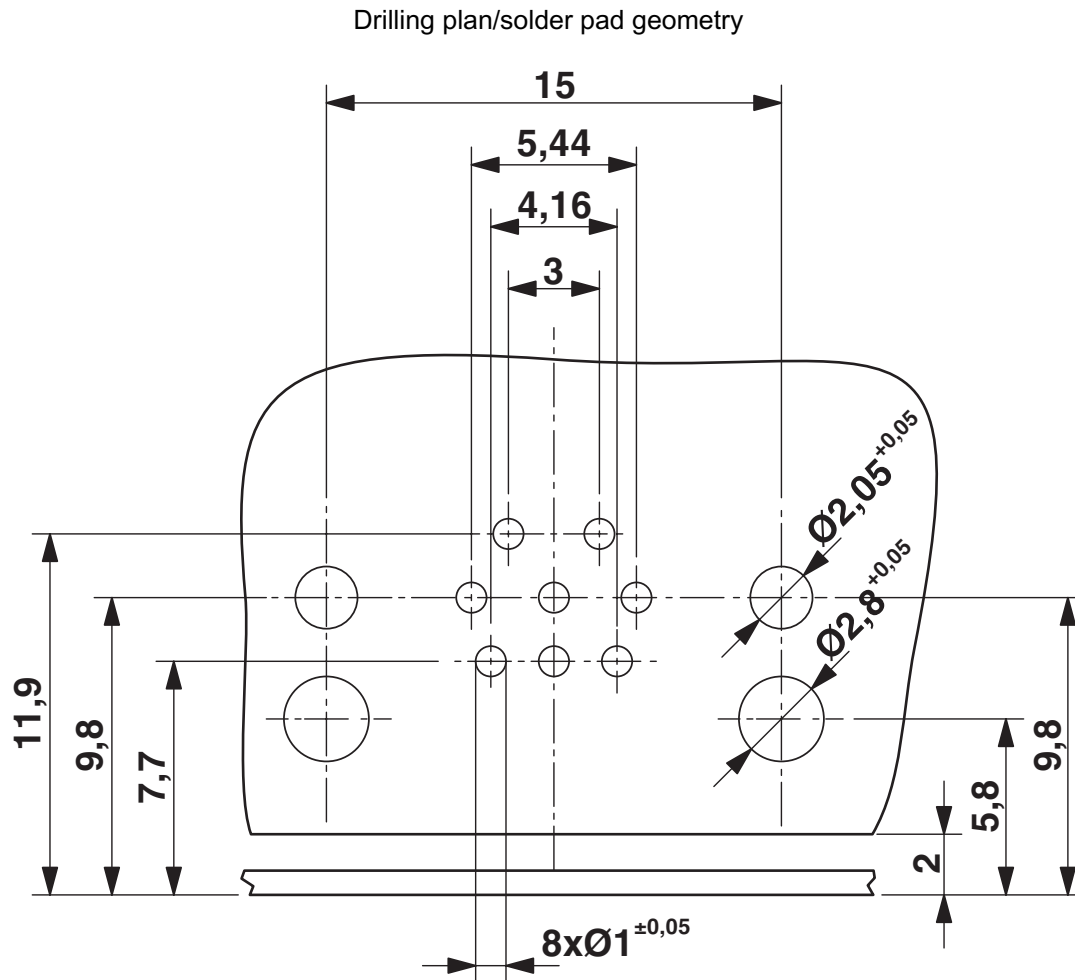
Locked area on the PCB

Flush-type connector - SACC-CI-M12FS-8CON-L90 SCO



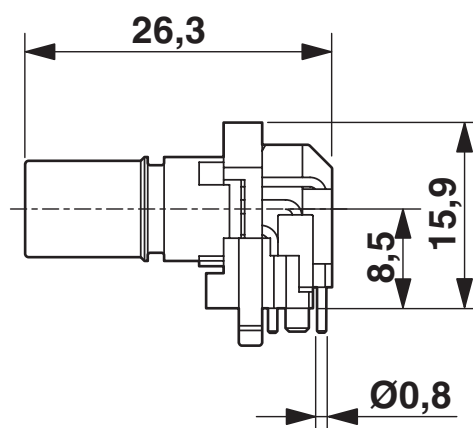
1436990

<https://www.phoenixcontact.com/pc/products/1436990>



Drilling diagram only valid in connection with the SACC-M12-SCO NUT L90 housing (Item No. 1432460)

Dimensional drawing



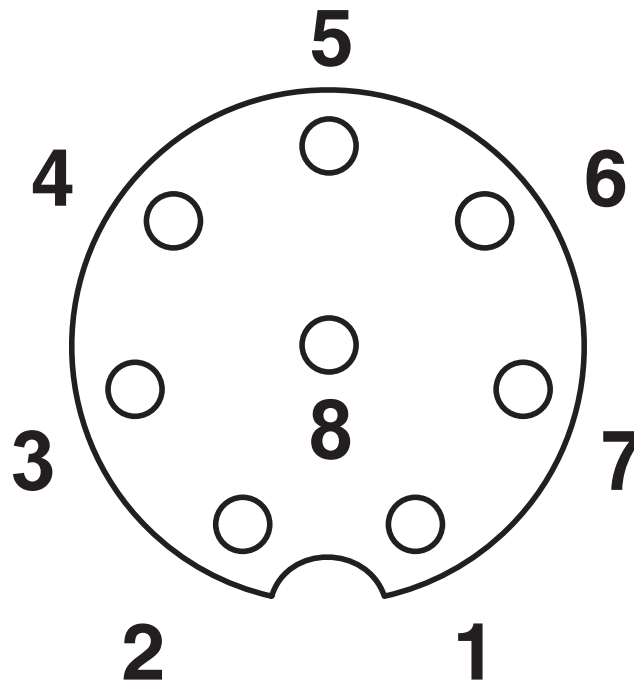
M12 flush-type connector, socket, contact carrier, side view

Flush-type connector - SACC-CI-M12FS-8CON-L90 SCO

1436990

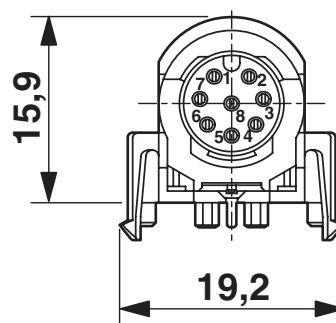
<https://www.phoenixcontact.com/pc/products/1436990>

Schematic diagram



Pin assignment M12 socket, 8-pos., A-coded, view female side

Dimensional drawing



M12 flush-type connector, socket, contact carrier, front view


Flush-type connector - SACC-CI-M12FS-8CON-L90 SCO




1436990

<https://www.phoenixcontact.com/pc/products/1436990>

Approvals

	UL Recognized Approval ID: FILE E 118976				
	Nominal Voltage U_N	Nominal Current I_N	Cross Section AWG	Cross Section mm^2	
	30 V	2 A	- 24	-	

	EAC Approval ID: B.01687				
---	------------------------------------	--	--	--	--

Flush-type connector - SACC-CI-M12FS-8CON-L90 SCO



1436990

<https://www.phoenixcontact.com/pc/products/1436990>

Classifications

ECLASS

ECLASS-10.0.1	27440102
ECLASS-9.0	27440102
ECLASS-11.0	27440102

ETIM

ETIM 8.0	EC002635
----------	----------

UNSPSC

UNSPSC 21.0	39121400
-------------	----------

Flush-type connector - SACC-CI-M12FS-8CON-L90 SCO



1436990

<https://www.phoenixcontact.com/pc/products/1436990>

Environmental Product Compliance

REACH SVHC	Lead 7439-92-1
China RoHS	Environmentally Friendly Use Period = 50 years
	For information on hazardous substances, refer to the manufacturer's declaration available under "Downloads"

Flush-type connector - SACC-CI-M12FS-8CON-L90 SCO



1436990

<https://www.phoenixcontact.com/pc/products/1436990>

Accessories

Screw plug

Screw plug - PROT-M12 - 1680539

<https://www.phoenixcontact.com/pc/products/1680539>



An M12 screw plug for the unoccupied M12 sockets of the sensor/actuator cable, boxes and flush-type connectors

Housing screw connection

Housing screw connection - SACC-M12-SCO NUT - 1552243

<https://www.phoenixcontact.com/pc/products/1552243>



M12 SPEEDCON housing screw connection for M12 female inserts, with O-ring, for all SPEEDCON-capable THR and wave soldering contact carriers

Flush-type connector - SACC-CI-M12FS-8CON-L90 SCO



1436990

<https://www.phoenixcontact.com/pc/products/1436990>

Screw plug

Screw plug - PROT-M12 SH - 1503302

<https://www.phoenixcontact.com/pc/products/1503302>



An M12 screw plug for the unoccupied M12 sockets of the shielded sensor/actuator cable, boxes and flush-type connectors

Housing screw connection

Housing screw connection - SACC-DSIV-M12-NUT - 1416144

<https://www.phoenixcontact.com/pc/products/1416144>



Housing screw connection with M12 standard thread, with O-ring, for the two-piece straight M12 THR contact carrier and for the two-piece angled M12 contact carrier

Flush-type connector - SACC-CI-M12FS-8CON-L90 SCO

1436990

<https://www.phoenixcontact.com/pc/products/1436990>

Screw plug

Screw plug - PROT-M12 FB - 1555538

<https://www.phoenixcontact.com/pc/products/1555538>



M12 high-grade steel screw plug, for unoccupied M12 sockets of the sensor/actuator cables, boxes and flush-type connectors for the food industry

Housing screw connection

Housing screw connection - SACC-M12-SCO NUT L 90 - 1432460

<https://www.phoenixcontact.com/pc/products/1432460>



M12-SPEEDCON housing screw connection for M12 female inserts, with flat gasket, for all Speedcon-compatible THR and wave soldering contact carriers

Flush-type connector - SACC-CI-M12FS-8CON-L90 SCO

1436990

<https://www.phoenixcontact.com/pc/products/1436990>

Housing screw connection

Housing screw connection - SACC-BP-F-M12/M15-6-THR - 1414004

<https://www.phoenixcontact.com/pc/products/1414004>



Housing screw connection, Socket, M12, Rear mounting, M15 x 1

Housing screw connection

Housing screw connection - SACC-BP-F-M12/M15-7-THR - 1414003

<https://www.phoenixcontact.com/pc/products/1414003>



Housing screw connection, Socket, M12, Rear mounting, M15 x 1

Flush-type connector - SACC-CI-M12FS-8CON-L90 SCO

1436990

<https://www.phoenixcontact.com/pc/products/1436990>

Housing screw connection

Housing screw connection - SACC-BP-F-M12/M15-6-THR SCO - 1414020

<https://www.phoenixcontact.com/pc/products/1414020>



Housing screw connection, Socket, M12-SPEEDCON, Rear mounting, M15 x 1

Housing screw connection

Housing screw connection - SACC-BP-F-M12/M15-7-THR SCO - 1414005

<https://www.phoenixcontact.com/pc/products/1414005>



Housing screw connection, Socket, M12-SPEEDCON, Rear mounting, M15 x 1

Flush-type connector - SACC-CI-M12FS-8CON-L90 SCO

1436990

<https://www.phoenixcontact.com/pc/products/1436990>

Housing screw connection

Housing screw connection - SACC-M12 NUT PRESS - 1437889

<https://www.phoenixcontact.com/pc/products/1437889>



Housing screw connection for two-piece M12 connectors for the reflow soldering process.

Housing screw connection

Housing screw connection - SACC-BP-F-M12-THR PP - 1027662

<https://www.phoenixcontact.com/pc/products/1027662>



Housing screw connection, Socket, M12-Push-Pull, Rear mounting, M16, THR- und Wellenlötkontakte

Flush-type connector - SACC-CI-M12FS-8CON-L90 SCO



1436990

<https://www.phoenixcontact.com/pc/products/1436990>

Housing screw connection

Housing screw connection - SACC-FP-F-M12-THR PP - 1027678

<https://www.phoenixcontact.com/pc/products/1027678>



Housing screw connection, Socket, M12-Push-Pull, Front mounting, M14 x 1,
THR- und Wellenlötkontakte

Phoenix Contact 2022 © - all rights reserved

<https://www.phoenixcontact.com>

PHOENIX CONTACT GmbH & Co. KG

Flachsmarktstraße 8

D-32825 Blomberg

+49 (0) 5235-3 00

info@phoenixcontact.com