

Flush-type connector - SACC-CI-M12MS-8CON-L90 SCO



1436987

<https://www.phoenixcontact.com/pc/products/1436987>

Please be informed that the data shown in this PDF document is generated from our Online Catalog. Please find the complete data in the user documentation. Our General Terms of Use for Downloads are valid.



Sensor/actuator flush-type connector, plug, 8-pos., A-coded, with angled solder connection, only contact insert

Your advantages

- Reduced mounting costs thanks to two-piece device connector
- All common pin assignments and codings available
- Easy device integration thanks to mechanical port screw connections with threaded attachment, press-in contour or direct integration in the front plate
- Additional gasket for the device when not plugged in

Flush-type connector - SACC-CI-M12MS-8CON-L90 SCO



1436987

<https://www.phoenixcontact.com/pc/products/1436987>

Commercial Data

Item number	1436987
Packing unit	20 pc
Minimum order quantity	20 pc
Note	Made to Order (non-returnable)
Product Key	ABQCAC
Catalog Page	Page 252 (C-2-2013)
GTIN	4046356438551
Weight per Piece (including packing)	5.235 g
Weight per Piece (excluding packing)	4.875 g
Customs tariff number	85366990
Country of origin	DE

Flush-type connector - SACC-CI-M12MS-8CON-L90 SCO



1436987

<https://www.phoenixcontact.com/pc/products/1436987>

Technical Data

Notes

Notes on operation	The electrical and mechanical data specified assume that the connector pair is correctly locked and mounted. If the connector is unlocked and if there is a danger of contamination, the connector must be sealed using a protective cap > IP54. Influences arising from litz wires, cables or PCB assembly must also be taken into consideration.
--------------------	--

Product properties

Product type	Contact insert
Number of positions	8
Coding	A - standard

Insulation characteristics

Overvoltage category	III
Degree of pollution	3

Electrical properties

Rated surge voltage	0.8 kV
Contact resistance	$\leq 3 \text{ m}\Omega$
Insulation resistance	$\geq 100 \text{ M}\Omega$
Nominal voltage U_N	30 V
Nominal current I_N	2 A

LED signaling

Status display	No
Status display present	No

Material specifications

Flammability rating according to UL 94	V0
Sealing material	FKM / EPDM
Contact material	CuZn
Contact surface material	Au
Contact carrier material	PA 6.6

Connector

Insertion/withdrawal cycles	> 100
-----------------------------	-------

Header 1

Head design	Plug
Head cable outlet	straight
Coding	A-coded

Environmental and real-life conditions

Flush-type connector - SACC-CI-M12MS-8CON-L90 SCO



1436987

<https://www.phoenixcontact.com/pc/products/1436987>

Ambient conditions

Degree of protection	IP67
Degree of protection	IP67
Ambient temperature (operation)	-25 °C ... 85 °C (Plug / socket)
	-40 °C ... 85 °C (without mechanical actuation)

Standards and regulations

M12

Standards/specifications	IEC 61076-2-101
--------------------------	-----------------

Mounting

Mounting type	PCB mounting
---------------	--------------

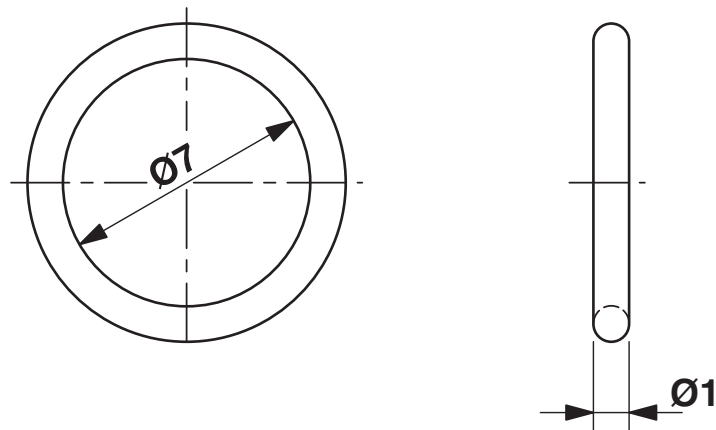
Flush-type connector - SACC-CI-M12MS-8CON-L90 SCO

1436987

<https://www.phoenixcontact.com/pc/products/1436987>

Drawings

Dimensional drawing

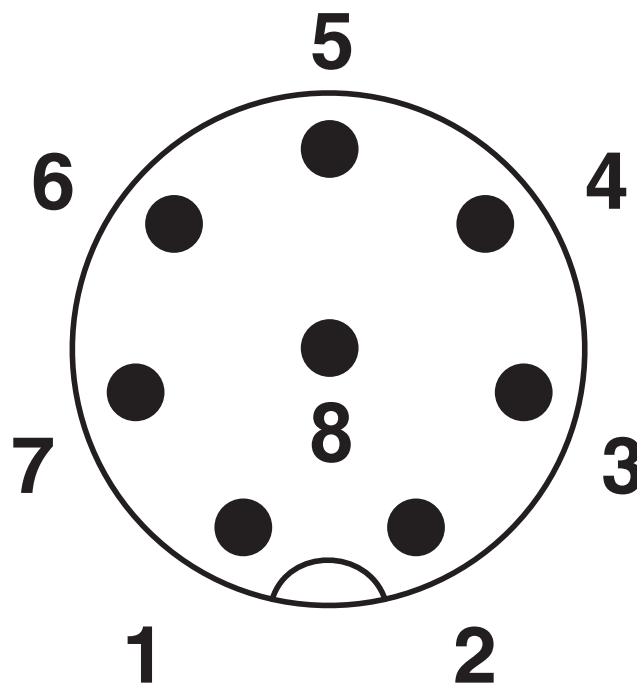


Optionally with O-ring (green) for tight seal when plugged in.

- the axial mating force of 80 N per connector may not be exceeded when using with assembled O-ring!

- Avoid radial forces!

Schematic diagram

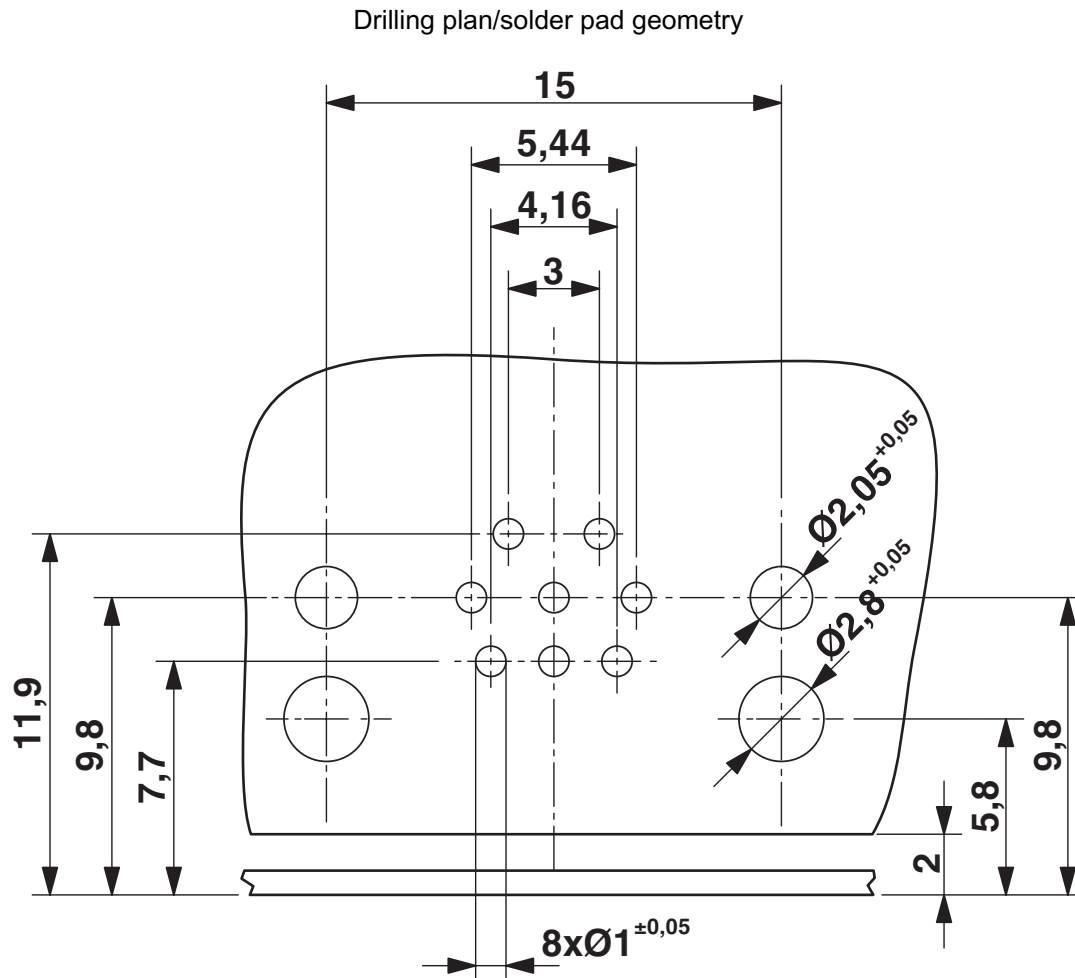


Pin assignment M12 plug, 8-pos., A-coded, view plug side

Flush-type connector - SACC-CI-M12MS-8CON-L90 SCO

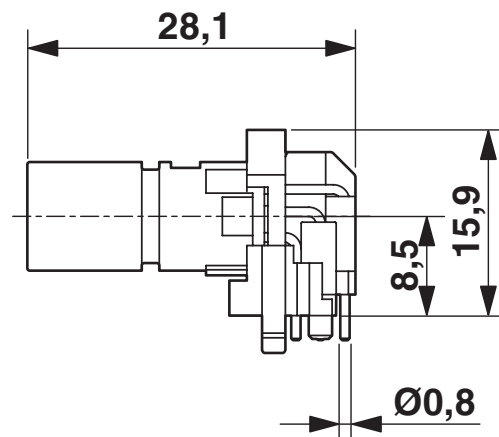
1436987

<https://www.phoenixcontact.com/pc/products/1436987>



Drilling diagram only valid in connection with the SACC-M12-SCO PLUG L90 housing (Item No. 1436709)

Dimensional drawing



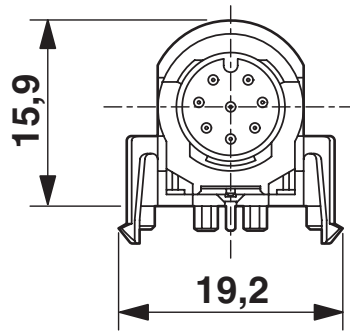
M12 flush-type connector, plug, contact carrier, side view

Flush-type connector - SACC-CI-M12MS-8CON-L90 SCO

1436987

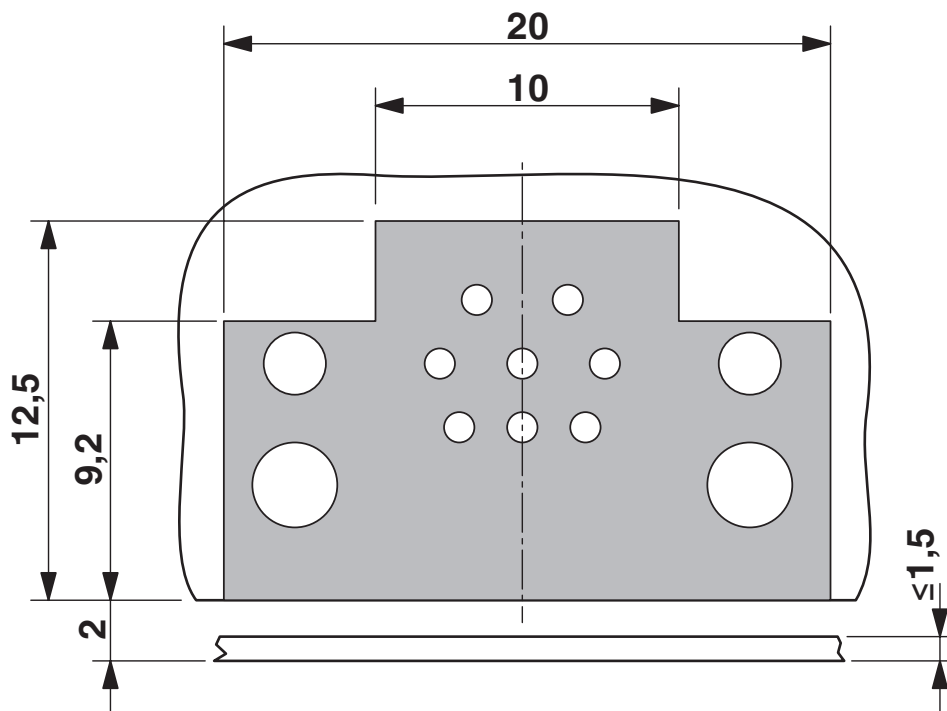
<https://www.phoenixcontact.com/pc/products/1436987>

Dimensional drawing



M12 flush-type connector, plug, contact carrier, front view

Dimensional drawing



Locked area on the PCB


Flush-type connector - SACC-CI-M12MS-8CON-L90 SCO




1436987

<https://www.phoenixcontact.com/pc/products/1436987>

Approvals

 UL Recognized Approval ID: FILE E 118976	Nominal Voltage U_N	Nominal Current I_N	Cross Section AWG	Cross Section mm^2
	30 V	2 A	- 24	-

 EAC Approval ID: B.01687
--

Flush-type connector - SACC-CI-M12MS-8CON-L90 SCO



1436987

<https://www.phoenixcontact.com/pc/products/1436987>

Classifications

ECLASS

ECLASS-9.0	27440102
ECLASS-10.0.1	27440102
ECLASS-11.0	27440102

ETIM

ETIM 8.0	EC002635
----------	----------

UNSPSC

UNSPSC 21.0	39121400
-------------	----------

Flush-type connector - SACC-CI-M12MS-8CON-L90 SCO



1436987

<https://www.phoenixcontact.com/pc/products/1436987>

Environmental Product Compliance

REACH SVHC	Lead 7439-92-1
China RoHS	Environmentally Friendly Use Period = 50 years
	For information on hazardous substances, refer to the manufacturer's declaration available under "Downloads"

Flush-type connector - SACC-CI-M12MS-8CON-L90 SCO



1436987

<https://www.phoenixcontact.com/pc/products/1436987>

Accessories

Sealing cap

Sealing cap - PROT-M12 FS - 1560251

<https://www.phoenixcontact.com/pc/products/1560251>



M12 sealing cap for unoccupied M12 plugs of the sensor/actuator cable, flush-type plugs and I/O devices in the field

Housing screw connection

Housing screw connection - SACC-M12-SCO PLUG - 1551493

<https://www.phoenixcontact.com/pc/products/1551493>



M12 SPEEDCON housing screw connection for M12 male inserts, with O-ring, for all SPEEDCON-capable THR and wave soldering contact carriers

Flush-type connector - SACC-CI-M12MS-8CON-L90 SCO

1436987

<https://www.phoenixcontact.com/pc/products/1436987>

Sealing cap

Sealing cap - PROT-M12 FS-M - 1430488

<https://www.phoenixcontact.com/pc/products/1430488>



M12 metal sealing cap for unoccupied M12 plugs of the sensor/actuator cable, flush-type plugs and I/O devices in the field

Housing screw connection

Housing screw connection - SACC-DSIV-M12-PLUG - 1416145

<https://www.phoenixcontact.com/pc/products/1416145>



Housing screw connection with M12 standard thread, with O-ring, for the two-piece straight M12 THR contact carrier and for the two-piece angled M12 contact carrier

Flush-type connector - SACC-CI-M12MS-8CON-L90 SCO

1436987

<https://www.phoenixcontact.com/pc/products/1436987>

Seal

Seal - SACC-DSIV-M12MS-SEAL - 1405751

<https://www.phoenixcontact.com/pc/products/1405751>



O-ring 7.5 x 1 mm

Housing screw connection

Housing screw connection - SACC-M12-SCO PLUG L90 - 1436709

<https://www.phoenixcontact.com/pc/products/1436709>



M12-SPEEDCON housing screw connection for M12 male inserts, with flat gasket, for all Speedcon-compatible THR and wave soldering contact carriers

Flush-type connector - SACC-CI-M12MS-8CON-L90 SCO

1436987

<https://www.phoenixcontact.com/pc/products/1436987>

Housing screw connection

Housing screw connection - SACC-BP-M-M12/M15-6-THR - 1413997

<https://www.phoenixcontact.com/pc/products/1413997>



Housing screw connection, Plug, M12, Rear mounting, M15 x 1

Housing screw connection

Housing screw connection - SACC-BP-M-M12/M15-7-THR - 1413996

<https://www.phoenixcontact.com/pc/products/1413996>



Housing screw connection, Plug, M12, Rear mounting, M15 x 1

Flush-type connector - SACC-CI-M12MS-8CON-L90 SCO



1436987

<https://www.phoenixcontact.com/pc/products/1436987>

Housing screw connection

Housing screw connection - SACC-BP-M-M12/M15-6-THR SCO - 1413999

<https://www.phoenixcontact.com/pc/products/1413999>



M12 SPEEDCON housing screw connection for M12 male inserts, with O-ring, for all SPEEDCON-capable THR and wave soldering contact carriers

Housing screw connection

Housing screw connection - SACC-BP-M-M12/M15-7-THR SCO - 1413998

<https://www.phoenixcontact.com/pc/products/1413998>



Housing screw connection, Plug, M12-SPEEDCON, Rear mounting, M15 x 1

Flush-type connector - SACC-CI-M12MS-8CON-L90 SCO

1436987

<https://www.phoenixcontact.com/pc/products/1436987>

Housing screw connection

Housing screw connection - SACC-M12 PLUG PRESS - 1437892

<https://www.phoenixcontact.com/pc/products/1437892>



M12 pin, housing screw connection, press-in version, for all Speedcon-compatible THR and wave soldering contact carriers

Housing screw connection

Housing screw connection - SACC-DSIV-M12-PLUG-9 THR - 1417984

<https://www.phoenixcontact.com/pc/products/1417984>



M12 pin, front mounting THR with M14 screw fastening

Flush-type connector - SACC-CI-M12MS-8CON-L90 SCO



1436987

<https://www.phoenixcontact.com/pc/products/1436987>

Housing screw connection

Housing screw connection - SACC-BP-M-M12-THR PP - 1027661

<https://www.phoenixcontact.com/pc/products/1027661>



Housing screw connection, Plug, M12-Push-Pull, Rear mounting, M15 x 1, THR- und Wellenlötkontakte

Housing screw connection

Housing screw connection - SACC-FP-M-M12-THR PP - 1027679

<https://www.phoenixcontact.com/pc/products/1027679>



Housing screw connection, Plug, M12-Push-Pull, Front mounting, THR- und Wellenlötkontakte

Phoenix Contact 2022 © - all rights reserved
<https://www.phoenixcontact.com>

PHOENIX CONTACT GmbH & Co. KG
Flachsmarktstraße 8
D-32825 Blomberg
+49 (0) 5235-3 00
info@phoenixcontact.com