

Device connector, rear mounting - SACC-DSIV-FSB-5CON-L90 SCO



1436576

<https://www.phoenixcontact.com/us/products/1436576>

Please be informed that the data shown in this PDF document is generated from our Online Catalog. Please find the complete data in the user documentation. Our General Terms of Use for Downloads are valid.



Sensor/actuator flush-type connector, socket, 5-pos., M12 SPEEDCON, B-coded, rear/screw mounting with M12 thread, with polarity protection, with angled solder connection

Device connector, rear mounting - SACC-DSIV-FSB-5CON-L90 SCO



1436576

<https://www.phoenixcontact.com/us/products/1436576>

Commercial Data

Item number	1436576
Packing unit	1 pc
Minimum order quantity	10 pc
Sales Key	A11
Product Key	ABQCAD
Catalog Page	Page 189 (C-2-2013)
GTIN	4046356438643
Weight per Piece (including packing)	13.92 g
Weight per Piece (excluding packing)	13.4 g
Customs tariff number	85366990
Country of origin	DE

Device connector, rear mounting - SACC-DSIV-FSB-5CON-L90 SCO



1436576

<https://www.phoenixcontact.com/us/products/1436576>

Technical Data

Product properties

Product type	Circular connectors (device side)
Number of positions	5
Shielded	no
Coding	B - inverse

Insulation characteristics

Overvoltage category	II
Degree of pollution	3

Ambient conditions

Degree of protection	IP67
Degree of protection	IP67
Ambient temperature (operation)	-25 °C ... 85 °C (Plug / socket)

Connector

Header 1

Head design	Socket
Head cable outlet	straight
Head thread type	M12
Head locking type	SPEEDCON
Coding	B-coded

Electrical properties

Contact resistance	$\leq 3 \text{ m}\Omega$
Insulation resistance	$\geq 100 \text{ M}\Omega$
Nominal voltage U_N	60 V
Nominal current I_N	4 A

Material specifications

Flammability rating according to UL 94	V0
Sealing material	NBR
Contact material	CuZn
Contact surface material	Ni/Au
Contact carrier material	PA 6.6
Cable gland material	Zinc die-cast, nickel-plated

Connection data

Conductor connection

Connection method	Solder pins
-------------------	-------------

Device connector, rear mounting - SACC-DSIV-FSB-5CON-L90 SCO



1436576

<https://www.phoenixcontact.com/us/products/1436576>

Mounting

Mounting type	Rear mounting M12 x 1 With flat nut
Assembly instructions	With flat nut

Standards and regulations

M12

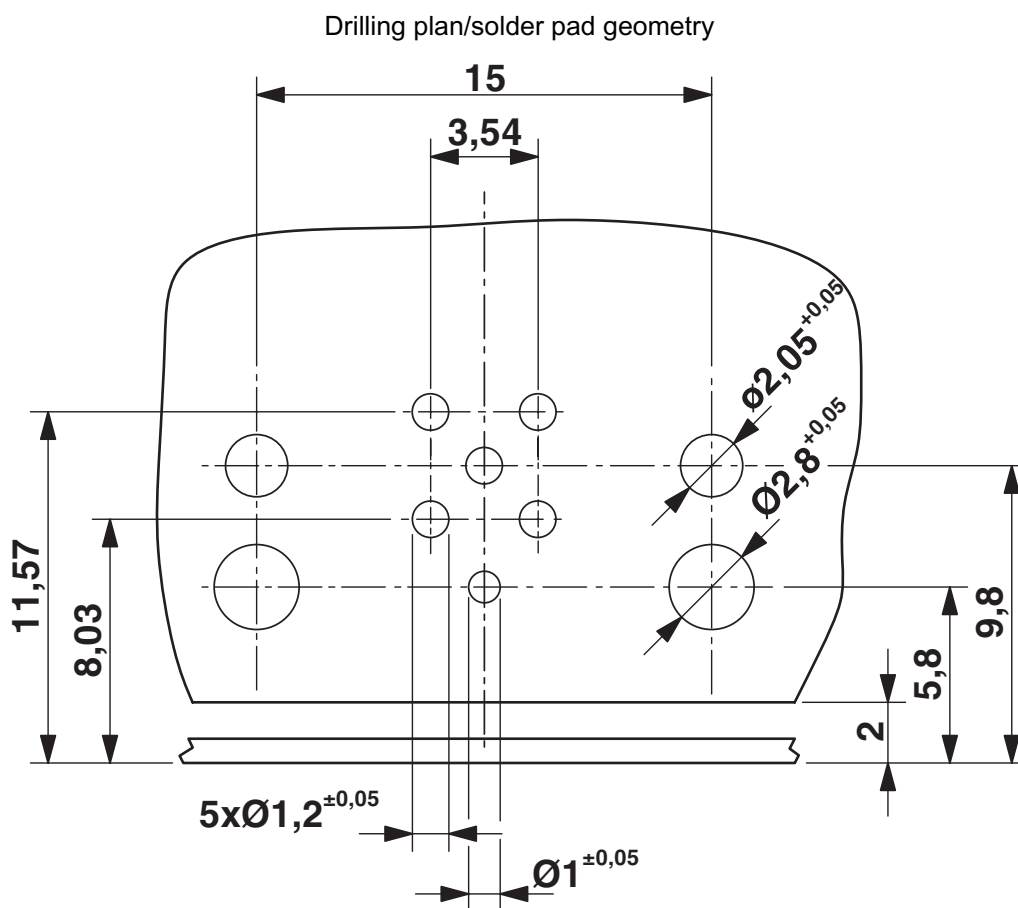
Standards/specifications	IEC 61076-2-101
--------------------------	-----------------

Device connector, rear mounting - SACC-DSIV-FSB-5CON-L90 SCO

1436576

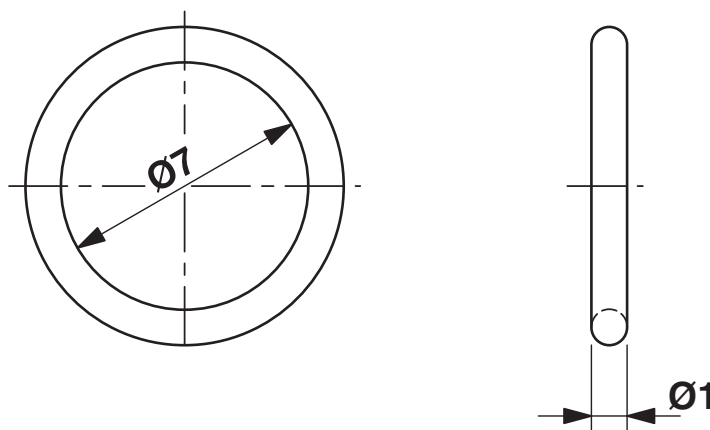
<https://www.phoenixcontact.com/us/products/1436576>

Drawings



Drilling diagram

Dimensional drawing



Optionally with O-ring (green) for tight seal when plugged in.

- the axial mating force of 80 N per connector may not be exceeded when using with assembled O-ring!

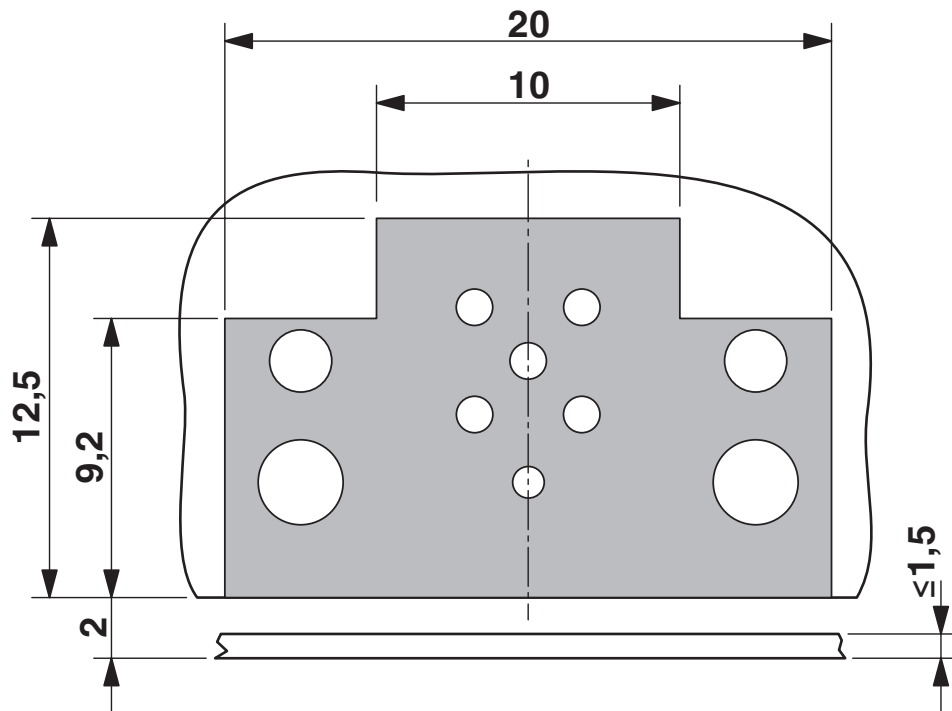
- Avoid radial forces!

Device connector, rear mounting - SACC-DSIV-FSB-5CON-L90 SCO

1436576

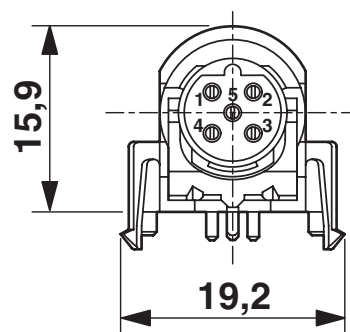
<https://www.phoenixcontact.com/us/products/1436576>

Dimensional drawing



Locked area on the PCB

Dimensional drawing



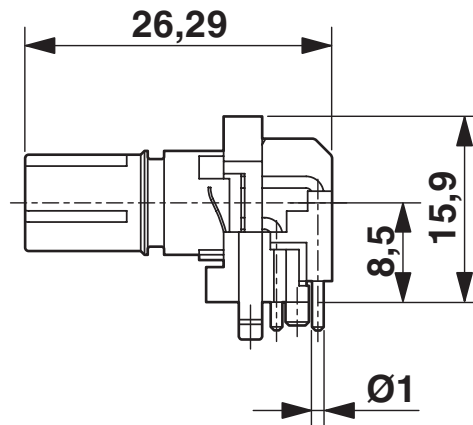
M12 flush-type connector, socket, contact carrier, front view

Device connector, rear mounting - SACC-DSIV-FSB-5CON-L90 SCO

1436576

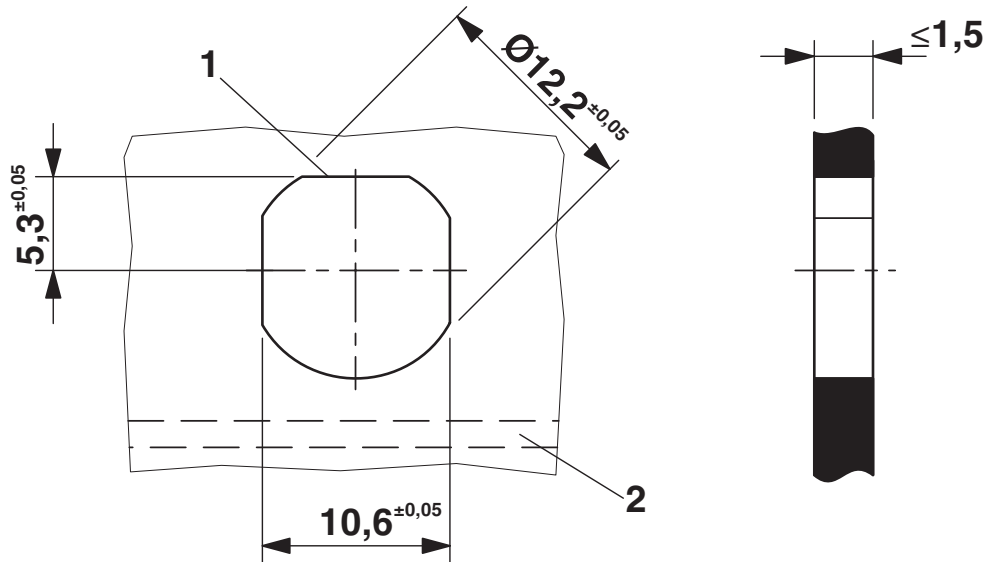
<https://www.phoenixcontact.com/us/products/1436576>

Dimensional drawing



M12 flush-type connector, socket, contact carrier, side view

Dimensional drawing



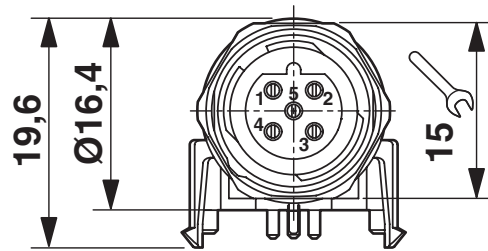
Housing cutout for M12 fastening thread, mounting panel with feed-through hole (alternative with surface as protection against rotation)

Device connector, rear mounting - SACC-DSIV-FSB-5CON-L90 SCO

1436576

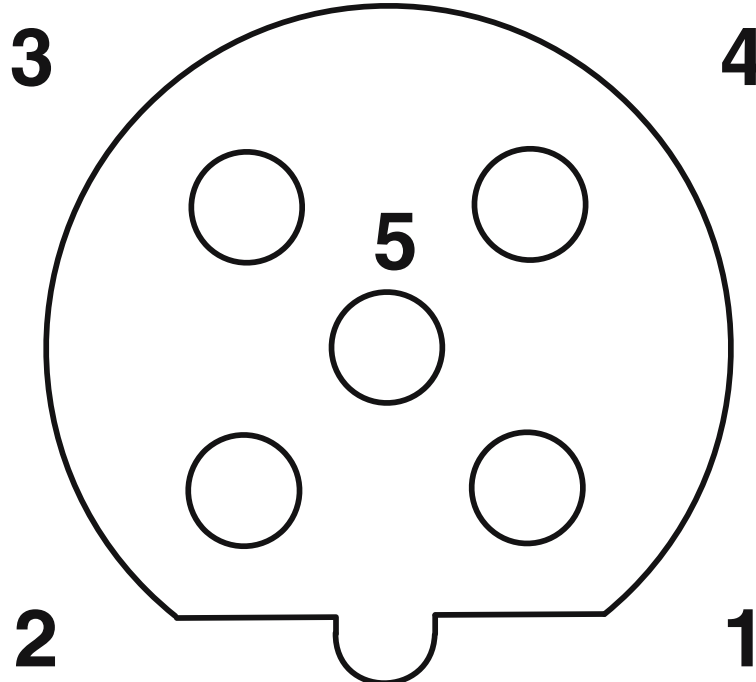
<https://www.phoenixcontact.com/us/products/1436576>

Dimensional drawing



M12 flush-type connector, socket, front view

Schematic diagram



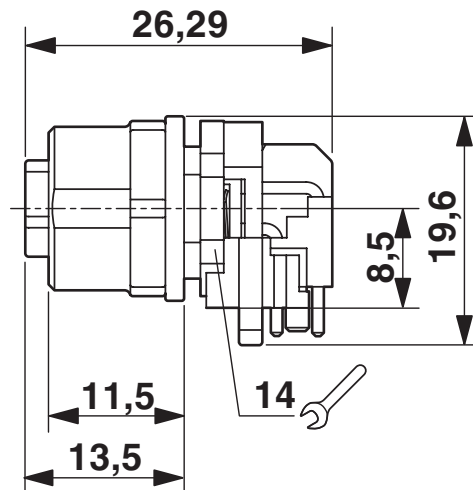
Pin assignment M12 socket, 5-pos., B-coded, female side

Device connector, rear mounting - SACC-DSIV-FSB-5CON-L90 SCO

1436576

<https://www.phoenixcontact.com/us/products/1436576>

Dimensional drawing



M12 flush-type connector, socket, side view

Device connector, rear mounting - SACC-DSIV-FSB-5CON-L90 SCO



1436576

<https://www.phoenixcontact.com/us/products/1436576>

Approvals



UL Recognized

Approval ID: FILE E 118976

	Nominal Voltage U_N	Nominal Current I_N	Cross Section AWG	Cross Section mm^2
	60 V	4 A	- 22	-



EAC

Approval ID: B.01687

Device connector, rear mounting - SACC-DSIV-FSB-5CON-L90 SCO



1436576

<https://www.phoenixcontact.com/us/products/1436576>

Classifications

ECLASS

ECLASS-9.0	27440102
ECLASS-10.0.1	27440102
ECLASS-11.0	27440102

ETIM

ETIM 8.0	EC002635
----------	----------

UNSPSC

UNSPSC 21.0	39121400
-------------	----------

Device connector, rear mounting - SACC-DSIV-FSB-5CON-L90 SCO



1436576

<https://www.phoenixcontact.com/us/products/1436576>

Environmental Product Compliance

REACH SVHC	Lead 7439-92-1
China RoHS	Environmentally Friendly Use Period = 50 years
	For information on hazardous substances, refer to the manufacturer's declaration available under "Downloads"

Phoenix Contact 2022 © - all rights reserved
<https://www.phoenixcontact.com>

Phoenix Contact USA
586 Fulling Mill Road
Middletown, PA 17057, United States
(+717) 944-1300
info@phoenixcon.com