

Flush-type connector - SACC-DSIV-FS-5CON-L90 SCO - 1436563

Please be informed that the data shown in this PDF Document is generated from our Online Catalog. Please find the complete data in the user's documentation. Our General Terms of Use for Downloads are valid (<http://phoenixcontact.com/download>)



Sensor/actuator flush-type connector, socket, 5-pos., M12 SPEEDCON, A-coded, rear/screw mounting with M12 thread, with polarity protection, with angled solder connection



Key Commercial Data

| | |
|--------------------------------------|----------|
| Packing unit | 1 pc |
| Minimum order quantity | 10 pc |
| Weight per Piece (excluding packing) | 12.0 g |
| Custom tariff number | 85366990 |
| Country of origin | Germany |

Technical data

Ambient conditions

| | |
|---------------------------------|----------------------------------|
| Ambient temperature (operation) | -25 °C ... 85 °C (Plug / socket) |
| Degree of protection | IP67 |

General

| | |
|-----------------------|-------------------------------------|
| Rated current at 40°C | 4 A |
| Rated voltage | 60 V |
| Number of positions | 5 |
| Contact resistance | ≤ 3 mΩ |
| Insulation resistance | ≥ 100 MΩ |
| Coding | A - standard |
| Status display | No |
| Overvoltage category | II |
| Pollution degree | 3 |
| Connection method | Solder pins |
| Mounting type | Rear mounting M12 x 1 With flat nut |

Flush-type connector - SACC-DSIV-FS-5CON-L90 SCO - 1436563

Technical data

Material

| | |
|--|------------------------------|
| Flammability rating according to UL 94 | V0 |
| Contact material | CuZn |
| Contact surface material | Au |
| Contact carrier material | PA 66 |
| Material, knurls | Zinc die-cast, nickel-plated |
| Sealing material | NBR |

Classifications

eCl@ss

| | |
|------------|----------|
| eCl@ss 4.0 | 27250313 |
| eCl@ss 4.1 | 27250313 |
| eCl@ss 5.0 | 27143423 |
| eCl@ss 5.1 | 27143423 |
| eCl@ss 6.0 | 27143423 |
| eCl@ss 7.0 | 27449001 |
| eCl@ss 8.0 | 27440103 |

ETIM

| | |
|----------|----------|
| ETIM 3.0 | EC002061 |
| ETIM 4.0 | EC002061 |
| ETIM 5.0 | EC002061 |

UNSPSC

| | |
|---------------|----------|
| UNSPSC 6.01 | 31251501 |
| UNSPSC 7.0901 | 31251501 |
| UNSPSC 11 | 31251501 |
| UNSPSC 12.01 | 31251501 |
| UNSPSC 13.2 | 31251501 |

Approvals

Approvals

Approvals

UL Recognized

Flush-type connector - SACC-DSIV-FS-5CON-L90 SCO - 1436563

Approvals

Ex Approvals

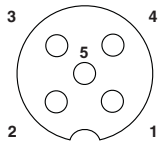
Approvals submitted

Approval details

| | |
|--------------------------------|-------|
| UL Recognized | |
| mm ² /AWG/kcmil | 26-20 |
| Nominal current I _N | 4 A |
| Nominal voltage U _N | 60 V |

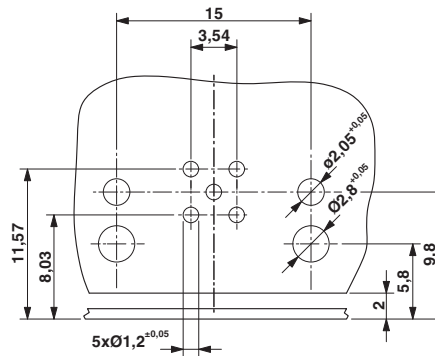
Drawings

Schematic diagram



Pin assignment M12 socket, 5-pos., A-coded, socket side view

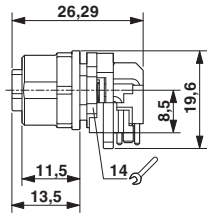
Drilling diagram



Drilling diagram

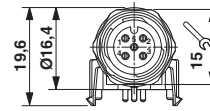
Flush-type connector - SACC-DSIV-FS-5CON-L90 SCO - 1436563

Dimensional drawing



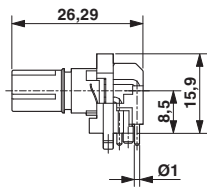
M12 flush-type connector, socket, side view

Dimensional drawing



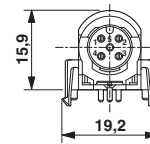
M12 flush-type connector, socket, front view

Dimensional drawing



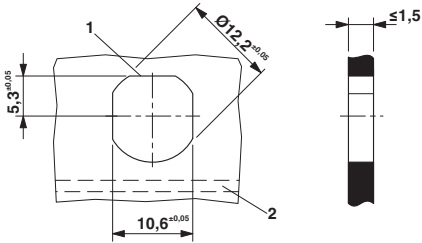
M12 flush-type connector, socket, contact carrier, side view

Dimensional drawing



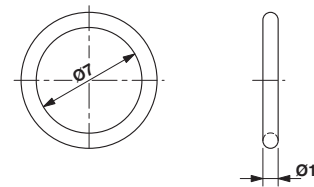
M12 flush-type connector, socket, contact carrier, front view

Dimensional drawing



Housing cutout for M12 fastening thread, mounting panel with feed-through hole (alternative with surface as protection against rotation)

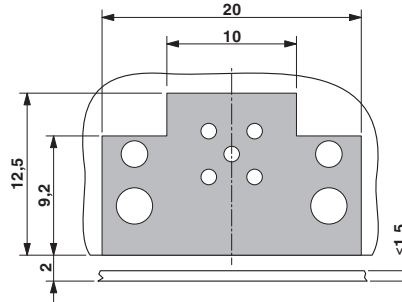
Dimensional drawing



Optionally with O-ring (green) for tight seal when plugged in.
 - the axial mating force of 80 N per connector may not be exceeded when using with assembled O-ring!
 - Avoid radial forces!

Flush-type connector - SACC-DSIV-FS-5CON-L90 SCO - 1436563

Dimensional drawing



Locked area on the PCB

Phoenix Contact 2015 © - all rights reserved
<http://www.phoenixcontact.com>