

Bus system cable - SAC-5PY-F/2X10,0-920



1436149

<https://www.phoenixcontact.com/pc/products/1436149>

Please be informed that the data shown in this PDF document is generated from our Online Catalog. Please find the complete data in the user documentation. Our General Terms of Use for Downloads are valid.



Bus system cable, CANopen[®], DeviceNet[™], 5-position, PUR halogen-free, red lilac RAL 4001, shielded, Socket straight M12 SPEEDCON, coding: A, on free cable end and free cable end, cable length: 10 m, Connector unshielded, Shield connected to pin 1

Commercial Data

Item number	1436149
Packing unit	1 pc
Minimum order quantity	1 pc
Product Key	BF1GAD
Catalog Page	Page 434 (C-2-2019)
GTIN	4046356432399
Weight per Piece (including packing)	1,180.8 g
Weight per Piece (excluding packing)	1,143.27 g
Customs tariff number	85444290
Country of origin	PL

Technical Data

Product properties

Product type	Data cable preassembled
Number of positions	5
Application	Standard
Shielded	no
Coding	A - standard

Insulation characteristics

Overvoltage category	II
Degree of pollution	3

Interfaces

Bus system	CANopen [®] /DeviceNet [™]
Signal type/category	CANopen [®] DeviceNet [™]

LED signaling

Status display	No
Status display present	No

Electrical properties

Contact resistance	≤ 5 mΩ
Insulation resistance	≥ 100 MΩ
Nominal voltage U _N	48 V AC
	60 V DC
Nominal current I _N	4 A
Transmission medium	Copper

Material specifications

Color Handle area	black
Flammability rating according to UL 94	HB
Sealing material	NBR
Material of grip body	TPU, hardly inflammable, self-extinguishing
Contact material	CuSn
Contact surface material	Ni/Au
Contact carrier material	TPU GF
Material for screw connection	Zinc die-cast, nickel-plated

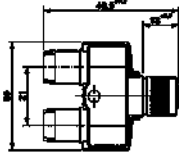
Dimensions

Bus system cable - SAC-5PY-F/2X10,0-920



1436149

<https://www.phoenixcontact.com/pc/products/1436149>

Dimensional drawing	
Center distance	21 mm

Connection data

Pin assignment

Contact Color (signal designation) Contact (optional)	1 (Distributor) = SR (shield)
	2 (Distributor) = RD (V+)
	3 (Distributor) = BK (V-)
	4 (Distributor) = WH (CAN_H)
	5 (Distributor) = BU (CAN_L)

Connector

Connection 1

Head design	Socket
Head cable outlet	straight
Head thread type	M12
Head locking type	SPEEDCON
Coding	A


Connection 2

Head design	free cable end
-------------	----------------

Cable / line

Cable length	10 m
--------------	------

CANopen[®]/DeviceNet[™], PUR, violet [920]

Dimensional drawing	
Cable weight	90 kg/km
UL AWM Style	21198 (80°C/300 V)
Number of positions	4
Shielded	yes
Cable type	CANopen [®] /DeviceNet [™] , PUR, violet [920]

Bus system cable - SAC-5PY-F/2X10,0-920



1436149

<https://www.phoenixcontact.com/pc/products/1436149>

Conductor structure	2xAWG24/19+2xAWG22/19
Conductor structure signal line	19x 0.13 mm
AWG signal line	24
Conductor cross section	2x 0.25 mm ² (Data cable)
	2x 0.34 mm ² (Power supply)
	1x 0.34 mm ² (Drain wire)
Wire diameter incl. insulation	1.95 mm ±0.05 mm (Data cable)
	1.4 mm ±0.05 mm (Power supply)
External cable diameter	6.7 mm ±0.3 mm
Outer sheath, material	PUR
External sheath, color	red lilac RAL 4001
Conductor material	Tin-plated Cu litz wires
Material wire insulation	Foamed PE (Data cable)
	PE (Power supply)
Single wire, color	red-black, blue-white
Twisted pairs	2 cores to the pair
Type of pair shielding	Plastic-coated aluminum foil, aluminum side outside
Overall twist	2 pairs around a drain wire in the center to the core
Optical shield covering	80 %
Insulation resistance	≥ 5 GΩ*km (Data cable)
	≥ 5 GΩ*km (Power supply)
Loop resistance	≤ 181.80 Ω/km (Data cable)
	≤ 114.80 Ω/km (Power supply)
Wave impedance	120 Ω ±10 % (with 1 MHz)
Cable capacity	nom. 40 nF/km (Data cable)
Nominal voltage, cable	≤ 300 V (Peak value, not for high-power applications)
Test voltage Core/Core	2000 V (50 Hz, 1 min.)
Test voltage Core/Shield	2000 V (50 Hz, 1 min.)
Minimum bending radius, fixed installation	5 x D
Minimum bending radius, flexible installation	10 x D
Max. bending cycles	5000000
Shield attenuation	≤ 22.9 dB/km (with 1 MHz)
	≤ 16.4 dB/km (At 500 kHz)
	≤ 9.5 dB/km (At 125 kHz)
Halogen-free	in accordance with DIN VDE 0472 part 815
	according to IEC 60754-1
Flame resistance	IEC 60332-1-2
	in accordance with ISO 6722-1 5.22 (UN ECE-R 118.01)
Other resistance	Low adhesion
Ambient temperature (operation)	-40 °C ... 80 °C (cable, fixed installation)
	-30 °C ... 70 °C (Cable, flexible installation)
	-20 °C ... 60 °C (for installation)
	-20 °C ... 60 °C (cable, drag chain applications)

Bus system cable - SAC-5PY-F/2X10,0-920



1436149

<https://www.phoenixcontact.com/pc/products/1436149>

Ambient conditions

Degree of protection	IP65
	IP67
Ambient temperature (operation)	-25 °C ... 90 °C (Plug / socket)
	-40 °C ... 80 °C (cable, fixed installation)
	-20 °C ... 75 °C (Cable, flexible installation)

Standards and regulations

Standards/specifications	IEC 61076-2-101
--------------------------	-----------------

Bus system cable - SAC-5PY-F/2X10,0-920

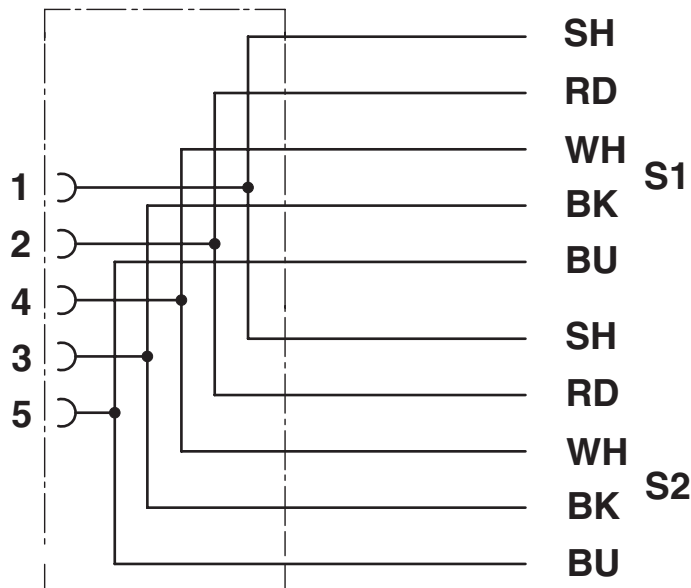
1436149

<https://www.phoenixcontact.com/pc/products/1436149>

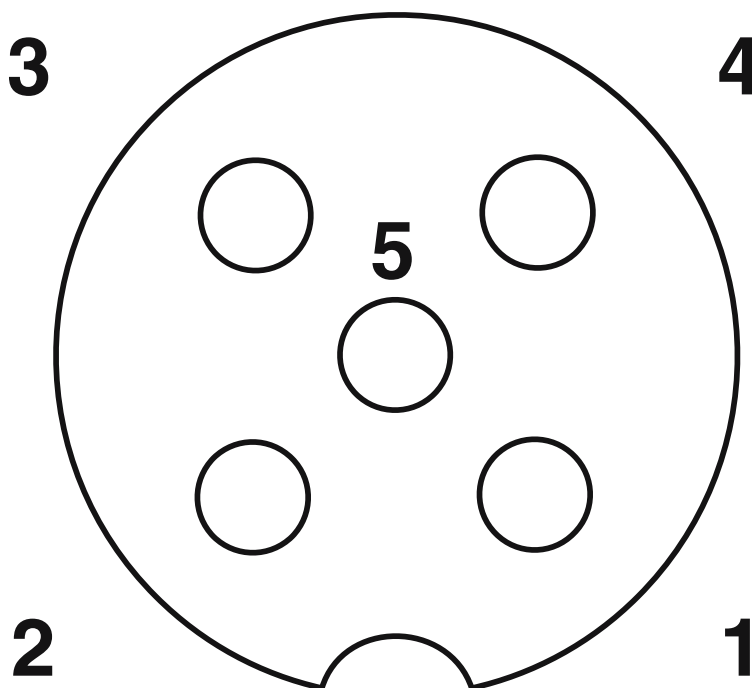


Drawings

Circuit diagram



Schematic diagram



Pin assignment M12 socket, 5-pos., A-coded, socket side view

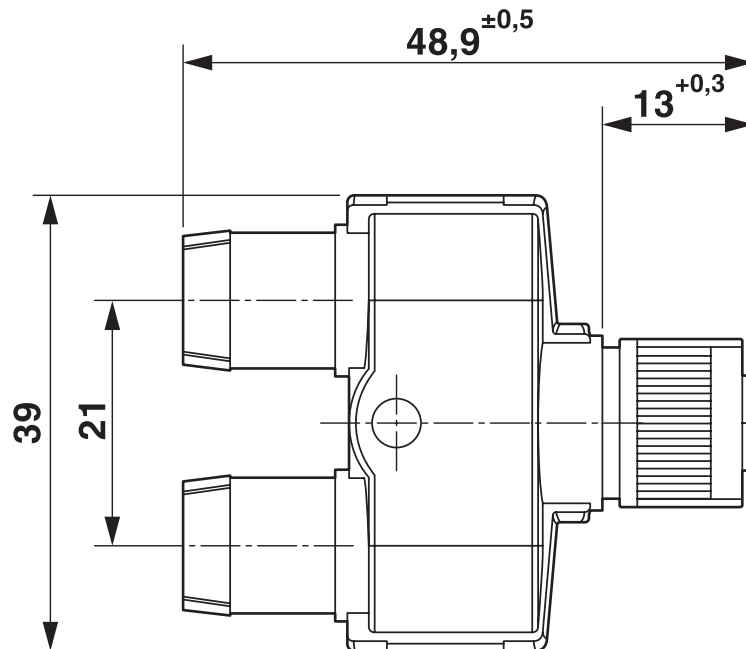
Bus system cable - SAC-5PY-F/2X10,0-920

1436149

<https://www.phoenixcontact.com/pc/products/1436149>



Dimensional drawing



M12-SPEEDCON socket, Y-distributor

Bus system cable - SAC-5PY-F/2X10,0-920



1436149

<https://www.phoenixcontact.com/pc/products/1436149>

Approvals



EAC

Approval ID: RU C-DE.BL08.B.00286



UL Listed

Approval ID: FILE E 221474

	Nominal Voltage U_N	Nominal Current I_N	Cross Section AWG	Cross Section mm^2
	125 V	4 A	-	-



cUL Listed

Approval ID: FILE E 221474

	Nominal Voltage U_N	Nominal Current I_N	Cross Section AWG	Cross Section mm^2
	125 V	4 A	-	-



EAC

Approval ID: RU D-DE.HB35.B.00387

cULus Listed

Bus system cable - SAC-5PY-F/2X10,0-920



1436149

<https://www.phoenixcontact.com/pc/products/1436149>

Classifications

ECLASS

ECLASS-9.0	27060308
ECLASS-10.0.1	27060308
ECLASS-11.0	27060307

ETIM

ETIM 8.0	EC001855
----------	----------

UNSPSC

UNSPSC 21.0	26121600
-------------	----------

Bus system cable - SAC-5PY-F/2X10,0-920



1436149

<https://www.phoenixcontact.com/pc/products/1436149>

Environmental Product Compliance

China RoHS	Environmentally friendly use period: unlimited = EFUP-e
	No hazardous substances above threshold values

Bus system cable - SAC-5PY-F/2X10,0-920

1436149

<https://www.phoenixcontact.com/pc/products/1436149>

Accessories

Torque screwdriver

Torque screwdriver - TSD 04 SAC - 1208429

<https://www.phoenixcontact.com/pc/products/1208429>



Torque screwdriver, with preset torque of 0.4 Nm and 4 mm hexagonal drive for M12 connectors

Torque screwdriver

Torque screwdriver - TSD-M 1,2NM - 1212224

<https://www.phoenixcontact.com/pc/products/1212224>



Torque screw driver, accuracy as per EN ISO 6789 standard, adjustable from 0.3 - 1.2 Nm

Bus system cable - SAC-5PY-F/2X10,0-920

1436149

<https://www.phoenixcontact.com/pc/products/1436149>

Adapter insert

Adapter insert - TSD-M SAC-BIT ADAPTER - 1212600

<https://www.phoenixcontact.com/pc/products/1212600>



Adapter bit for TSD-M...torque tools, E6.3-1/4" drive with 4 mm hexagon to accommodate SAC bits

Tool

Tool - SAC BIT M12-D15 - 1208432

<https://www.phoenixcontact.com/pc/products/1208432>



Nut for assembling sensor/actuator cables with M12 connector and M12 connectors for assembly, with a knurl diameter of 15 mm, for 4 mm hexagonal drive

Bus system cable - SAC-5PY-F/2X10,0-920

1436149

<https://www.phoenixcontact.com/pc/products/1436149>

Screw plug

Screw plug - PROT-M12 MS-PA-CHAIN - 1430899

<https://www.phoenixcontact.com/pc/products/1430899>

M12 sealing cap with fixing band, for sensor cables, for free M12 sockets



Locking clip

Locking clip - SAC-M12-EXCLIP-F - 1558991

<https://www.phoenixcontact.com/pc/products/1558991>

Locking clip for the socket side of sensor/actuator cables with M12 connector and M12 connectors for assembly, for knurl diameter: 15 mm or for Allen key with a wrench size of 14 mm, prevents the disconnection of plug-in connections without tools



Bus system cable - SAC-5PY-F/2X10,0-920

1436149

<https://www.phoenixcontact.com/pc/products/1436149>

Data connector

Data connector - SACC-M12FS-5PL SH DN - 1424672

<https://www.phoenixcontact.com/pc/products/1424672>



Data connector, CANopen[®], DeviceNet[™], 5-position, shielded, Socket straight M12, A-coded, Push-lock spring connection, knurl material: Zinc die-cast, nickel-plated, external cable diameter 4 mm ... 8 mm

Data connector

Data connector - SACC-M12MS-5PL SH DN - 1424670

<https://www.phoenixcontact.com/pc/products/1424670>



Data connector, CANopen[®], DeviceNet[™], 5-position, shielded, Plug straight M12, A-coded, Push-lock spring connection, knurl material: Zinc die-cast, nickel-plated, external cable diameter 4 mm ... 8 mm

Bus system cable - SAC-5PY-F/2X10,0-920

1436149

<https://www.phoenixcontact.com/pc/products/1436149>

Data connector

Data connector - SACC-M12FR-5PL SH DN - 1424673

<https://www.phoenixcontact.com/pc/products/1424673>



Data connector, CANopen[®], DeviceNet[™], 5-position, shielded, Socket angled M12, A-coded, Push-lock spring connection, knurl material: Zinc die-cast, nickel-plated, external cable diameter 4 mm ... 8 mm

Data connector

Data connector - SACC-M12MR-5PL SH DN - 1424671

<https://www.phoenixcontact.com/pc/products/1424671>



Data connector, CANopen[®], DeviceNet[™], 5-position, shielded, Plug angled M12, A-coded, Push-lock spring connection, knurl material: Zinc die-cast, nickel-plated, external cable diameter 4 mm ... 8 mm

Bus system cable - SAC-5PY-F/2X10,0-920

1436149

<https://www.phoenixcontact.com/pc/products/1436149>

Data connector

Data connector - SACC-M12FS-5QO SH DN - 1422760

<https://www.phoenixcontact.com/pc/products/1422760>



Data connector, CANopen[®], DeviceNet[™], 5-position, halogen-free, shielded, Socket straight M12 SPEEDCON, A-coded, Insulation displacement connection, knurl material: Zinc die-cast, nickel-plated, external cable diameter 5 mm ... 9.7 mm

Data connector

Data connector - SACC-M12MS-5QO SH DN - 1422759

<https://www.phoenixcontact.com/pc/products/1422759>



Data connector, CANopen[®], DeviceNet[™], 5-position, halogen-free, shielded, Plug straight M12 SPEEDCON, A-coded, Insulation displacement connection, knurl material: Zinc die-cast, nickel-plated, external cable diameter 5 mm ... 9.7 mm

Bus system cable - SAC-5PY-F/2X10,0-920

1436149

<https://www.phoenixcontact.com/pc/products/1436149>

H distributor

H distributor - SAC-5PH-M-F/2XF SH1 SCO - 1417414

<https://www.phoenixcontact.com/pc/products/1417414>



H distributor, 5-position, shielded, Plug straight M12, coding: A, on Socket straight M12, coding: A and Socket straight M12, coding: A, Thread M12 not rotatable, Parallel distributor

T distributor

T distributor - SAC-5P-M12T/2XM12 VP - 1541186

<https://www.phoenixcontact.com/pc/products/1541186>



T distributor, 5-position, unshielded, Plug straight M12, coding: A, on Socket straight M12, coding: A and Socket straight M12, coding: A, Parallel distributor

Bus system cable - SAC-5PY-F/2X10,0-920



1436149

<https://www.phoenixcontact.com/pc/products/1436149>

T distributor

T distributor - SAC-5PT-F/F-M VP - 1424712

<https://www.phoenixcontact.com/pc/products/1424712>



T distributor, CANopen[®], DeviceNet[™], 5-position, unshielded, Socket straight M12, coding: A - standard, on Socket straight M12, coding: A - standard and Plug straight M12, coding: A - standard, Parallel distributor

Termination resistor

Termination resistor - SAC-5P-M12MS CAN TR - 1507816

<https://www.phoenixcontact.com/pc/products/1507816>



Terminating resistor CANopen[®]/DeviceNet[™] M12

Phoenix Contact 2022 © - all rights reserved
<https://www.phoenixcontact.com>

PHOENIX CONTACT GmbH & Co. KG
Flachsmarktstraße 8
D-32825 Blomberg
+49 (0) 5235-3 00
info@phoenixcontact.com