

Sensor/actuator cable - SAC-17P- 1,5-35T/FR SH SCO



1430323

<https://www.phoenixcontact.com/pc/products/1430323>

Please be informed that the data shown in this PDF document is generated from our Online Catalog. Please find the complete data in the user documentation. Our General Terms of Use for Downloads are valid.



Sensor/actuator cable, 17-position, PUR/PVC, black RAL 9005, shielded, free cable end, on Socket angled M12 SPEEDCON, coding: A, cable length: 1.5 m

Your advantages

- Easy and safe: 100% electrically tested plug-in components
- Save time, thanks to installation with SPEEDCON fast locking system
- Save space – with high-pos. connectors
- Reliable signal transmission – 360° shielding in environments with electromagnetic interference

Commercial Data

| | |
|--------------------------------------|---------------------|
| Item number | 1430323 |
| Packing unit | 1 pc |
| Minimum order quantity | 1 pc |
| Product Key | BF1CNA |
| Catalog Page | Page 215 (C-2-2019) |
| GTIN | 4046356322591 |
| Weight per Piece (including packing) | 189.6 g |
| Weight per Piece (excluding packing) | 188.6 g |
| Customs tariff number | 85444290 |
| Country of origin | DE |

Sensor/actuator cable - SAC-17P- 1,5-35T/FR SH SCO



1430323

<https://www.phoenixcontact.com/pc/products/1430323>

Technical Data

Product properties

| | |
|----------------------|-----------------------|
| Product type | Sensor/actuator cable |
| Number of positions | 17 |
| Application | Standard |
| No. of cable outlets | 1 |
| Shielded | yes |
| Coding | A - standard |

Insulation characteristics

| | |
|----------------------|----|
| Overvoltage category | II |
| Degree of pollution | 3 |

Material specifications

| | |
|--|---|
| Flammability rating according to UL 94 | V0 |
| Sealing material | NBR |
| Material of grip body | TPU, hardly inflammable, self-extinguishing |
| Contact material | CuZn |
| Contact surface material | Ni/Au |
| Contact carrier material | PA 6.6 |
| Material for screw connection | Zinc die-cast, nickel-plated |

Electrical properties

| | |
|-----------------------|----------------------------|
| Contact resistance | $\leq 5 \text{ m}\Omega$ |
| Insulation resistance | $\geq 100 \text{ M}\Omega$ |
| Nominal voltage U_N | 30 V AC |
| | 30 V DC |
| Nominal current I_N | 1.5 A |
| Protective circuit | unwired |

LED signaling

| | |
|------------------------|----|
| Status display | No |
| Status display present | No |

Connection data

Conductor connection

| | |
|-------------------|------------------------|
| Tightening torque | 0.4 Nm (M12 connector) |
|-------------------|------------------------|

Connector

Connection 1

| | |
|-------------|----------------|
| Head design | free cable end |
|-------------|----------------|

Connection 2

Sensor/actuator cable - SAC-17P- 1,5-35T/FR SH SCO

1430323


<https://www.phoenixcontact.com/pc/products/1430323>

| | |
|-------------------|----------|
| Head design | Socket |
| Head cable outlet | angled |
| Head thread type | M12 |
| Head locking type | SPEEDCON |
| Coding | A |

Cable / line

| | |
|--------------|-------|
| Cable length | 1.5 m |
|--------------|-------|

Black PUR/PVC twisted pair [35T]

| | |
|---|---|
| Dimensional drawing |  |
| Cable weight | 105 kg/km |
| UL AWM Style | 20233 / 1061 (80°C/300 V) |
| Number of positions | 17 |
| Shielded | yes |
| Cable type | Black PUR/PVC twisted pair [35T] |
| Conductor structure signal line | 18x 0.10 mm |
| AWG signal line | 26 |
| Conductor cross section | 17x 0.14 mm ² (Signal line) |
| Wire diameter incl. insulation | 1 mm ±0.05 mm (Signal line) |
| External cable diameter | 9.2 mm ±0.2 mm |
| Outer sheath, material | PUR |
| External sheath, color | black RAL 9005 |
| Conductor material | Tin-plated Cu litz wires |
| Material wire insulation | PVC |
| Single wire, color | white-brown, green-yellow, gray-pink, blue-red, black-violet, gray/pink-red/blue, white/green-brown/green, white/yellow-yellow/brown-white/gray |
| Overall twist | 7 pairs and 1 three-way unit, intertwisted |
| Optical shield covering | 85 % |
| Max. conductor resistance | 142 Ω/km (at 20 °C) |
| Insulation resistance | ≥ 10 MΩ*km (at 20 °C) |
| Nominal voltage, cable | 42 V AC |
| Test voltage | 1500 V AC |
| Minimum bending radius, fixed installation | 5 x D |
| Minimum bending radius, flexible installation | 10 x D |
| Max. bending cycles | 4000000 |
| Flame resistance | According to DIN EN 60332-1-2 |

Sensor/actuator cable - SAC-17P- 1,5-35T/FR SH SCO



1430323

<https://www.phoenixcontact.com/pc/products/1430323>

| | |
|---------------------------------|--|
| | According to VW-1 |
| Resistance to oil | in accordance with DIN EN 60811-2-1 |
| Other resistance | hydrolysis and microbe resistant in accordance with EN 50396 |
| Special properties | Flexible cable conduit capable |
| Ambient temperature (operation) | -30 °C ... 80 °C (cable, fixed installation) |
| | -5 °C ... 80 °C (Cable, flexible installation) |

Ambient conditions

| | |
|---------------------------------|--|
| Degree of protection | IP65 |
| | IP67 |
| Ambient temperature (operation) | -25 °C ... 85 °C (Plug / socket) |
| | -40 °C ... 80 °C (cable, fixed installation) |
| | -5 °C ... 80 °C (Cable, flexible installation) |

Standards and regulations

| | |
|--------------------------|-----------------|
| Standards/specifications | IEC 61076-2-101 |
|--------------------------|-----------------|

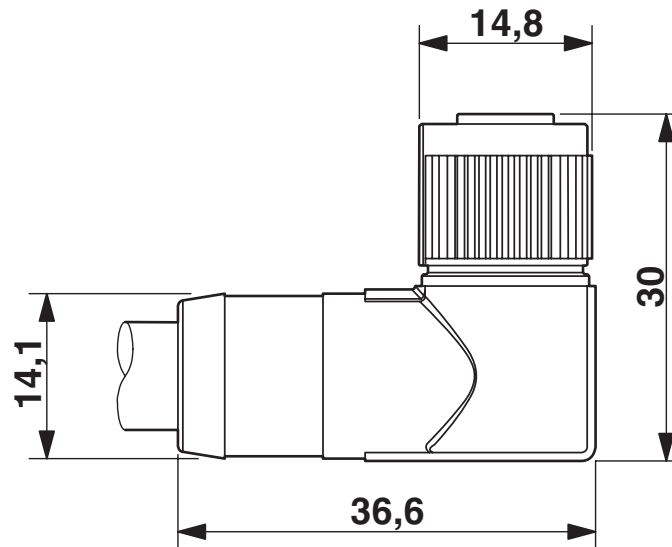
Sensor/actuator cable - SAC-17P- 1,5-35T/FR SH SCO

1430323

<https://www.phoenixcontact.com/pc/products/1430323>

Drawings

Dimensional drawing



Socket M12-SPEEDCON, angled, shielded

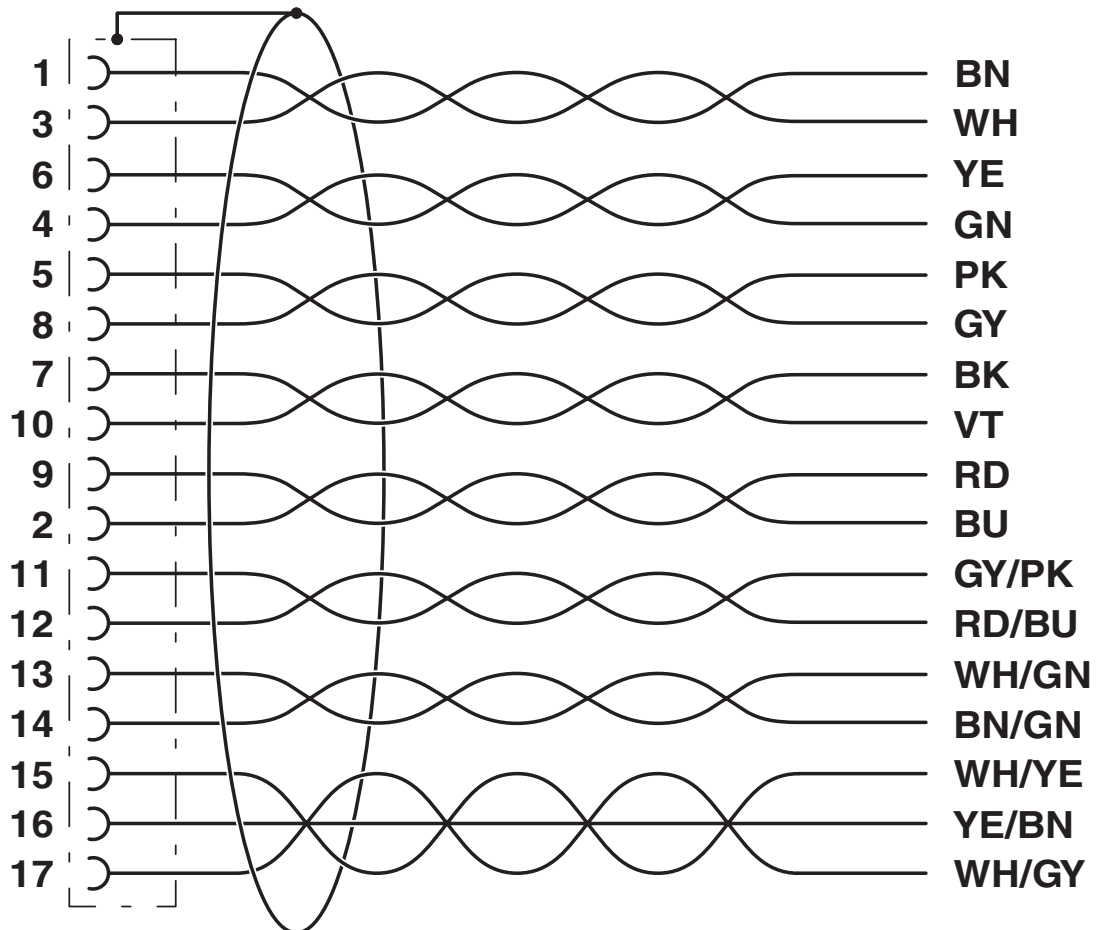
Sensor/actuator cable - SAC-17P- 1,5-35T/FR SH SCO



1430323

<https://www.phoenixcontact.com/pc/products/1430323>

Circuit diagram

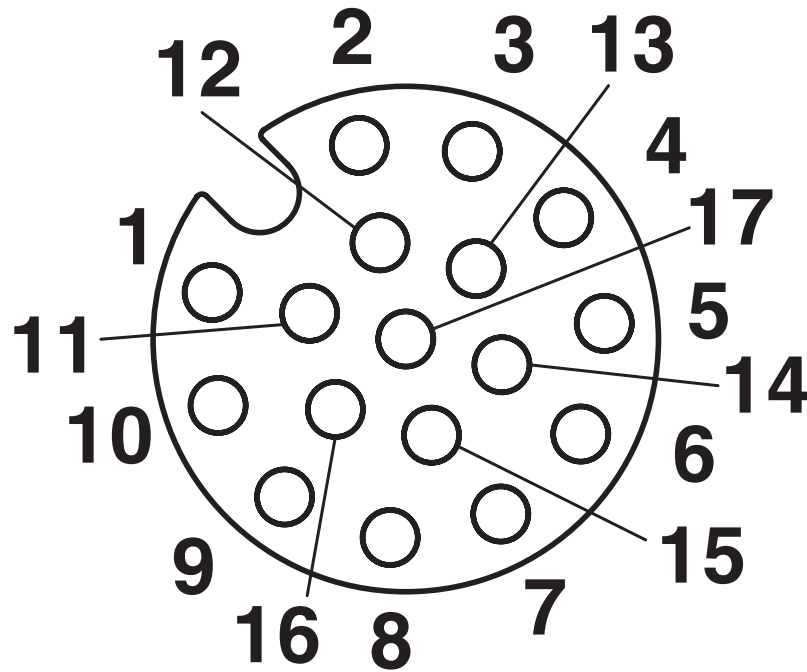


Sensor/actuator cable - SAC-17P- 1,5-35T/FR SH SCO

1430323

<https://www.phoenixcontact.com/pc/products/1430323>

Schematic diagram



Pin assignment M12, 17-pos., socket side view

Sensor/actuator cable - SAC-17P- 1,5-35T/FR SH SCO



1430323

<https://www.phoenixcontact.com/pc/products/1430323>

Approvals



EAC

Approval ID: RU C-DE.BL08.B.00286



UL Listed

Approval ID: FILE E 221474

| | Nominal Voltage U_N | Nominal Current I_N | Cross Section AWG | Cross Section mm^2 |
|--|-----------------------|-----------------------|-------------------|-----------------------------|
| | 30 V | 1 A | - | - |



EAC

Approval ID: RU D-DE.HB35.B.00387

Sensor/actuator cable - SAC-17P- 1,5-35T/FR SH SCO



1430323

<https://www.phoenixcontact.com/pc/products/1430323>

Classifications

ECLASS

| | |
|---------------|----------|
| ECLASS-9.0 | 27060311 |
| ECLASS-10.0.1 | 27060311 |
| ECLASS-11.0 | 27060311 |

ETIM

| | |
|----------|----------|
| ETIM 8.0 | EC001855 |
|----------|----------|

UNSPSC

| | |
|-------------|----------|
| UNSPSC 21.0 | 26121600 |
|-------------|----------|

Sensor/actuator cable - SAC-17P- 1,5-35T/FR SH SCO



1430323

<https://www.phoenixcontact.com/pc/products/1430323>

Environmental Product Compliance

| | |
|------------|---|
| China RoHS | Environmentally friendly use period: unlimited = EFUP-e |
| | No hazardous substances above threshold values |

Sensor/actuator cable - SAC-17P- 1,5-35T/FR SH SCO



1430323

<https://www.phoenixcontact.com/pc/products/1430323>

Accessories

Insert label

Insert label - PABA WH/23 - 1013779

<https://www.phoenixcontact.com/pc/products/1013779>



Insert label, Strip, white, unlabeled, can be labeled with: CMS-P1-PLOTTER, mounting type: slide-on, cable diameter range: 1.5 ... 35 mm, lettering field size: 23 x 4 mm, Number of individual labels: 20

Insert label

Insert label - PABA YE/23 - 1013782

<https://www.phoenixcontact.com/pc/products/1013782>



Insert label, Strip, yellow, unlabeled, can be labeled with: CMS-P1-PLOTTER, mounting type: slide-on, cable diameter range: 1.5 ... 35 mm, lettering field size: 23 x 4 mm, Number of individual labels: 20

Sensor/actuator cable - SAC-17P- 1,5-35T/FR SH SCO



1430323

<https://www.phoenixcontact.com/pc/products/1430323>

Marker pen

Marker pen - B-STIFT - 1051993

<https://www.phoenixcontact.com/pc/products/1051993>



Marker pen, for manual labeling of unprinted Zack strips, smear-proof and waterproof, line thickness 0.5 mm

Diagonal cutter

Diagonal cutter - CUTFOX-S VDE - 1212207

<https://www.phoenixcontact.com/pc/products/1212207>



Diagonal cutter for hard (piano wire) and soft wires, VDE 1000 V AC/1500 V DC tested

Sensor/actuator cable - SAC-17P- 1,5-35T/FR SH SCO

1430323

<https://www.phoenixcontact.com/pc/products/1430323>

Stripping tool

Stripping tool - WIREFOX SAC-1 - 1212757

<https://www.phoenixcontact.com/pc/products/1212757>



Stripping pliers, for halogen-free sensor/actuator cables (SAC cables), with PUR and PVC insulation, from Ø of 3.2 to 4.4 mm, any stripping length

Stripping tool

Stripping tool - WIREFOX SAC - 1212623

<https://www.phoenixcontact.com/pc/products/1212623>



Stripping pliers, for halogen-free sensor/actuator cables (SAC cables), with PUR and PVC insulation, from Ø of 4.4 to 7 mm, any stripping length

Sensor/actuator cable - SAC-17P- 1,5-35T/FR SH SCO

1430323

<https://www.phoenixcontact.com/pc/products/1430323>

Stripping tool

Stripping tool - WIREFOX 10 - 1212150

<https://www.phoenixcontact.com/pc/products/1212150>



Stripping tool, for cables and conductors from 0.02 - 10 mm², self-adjusting, stripping length of up to 18 mm, cutting capacity of up to 10 mm² stranded/1.5 mm² solid, replaceable stripping blade

Protective hose adapter

Protective hose adapter - WP-CTA POM 13,0 BK - 1422884

<https://www.phoenixcontact.com/pc/products/1422884>



Protective hose adapter, for corrugated hoses with a nominal size of 13 (10 x 13), corrugated in parallel

Sensor/actuator cable - SAC-17P- 1,5-35T/FR SH SCO

1430323

<https://www.phoenixcontact.com/pc/products/1430323>

Protective hose

Protective hose - WP-PA HF 13,0 BK - 3240681

<https://www.phoenixcontact.com/pc/products/3240681>



Protective hose, material: PA 6, UV-resistant: yes, flexible, degree of protection: IP68, color: black, flammability rating in acc. with UL 94: V0, inner diameter: 10 mm, Total length: 50 m

Protective hose

Protective hose - WP-PA HF-HB 13,0 BK - 3240839

<https://www.phoenixcontact.com/pc/products/3240839>



Protective hose, material: PA 6, UV-resistant: yes, flexible, degree of protection: IP68, color: black, flammability rating in acc. with UL 94: HB, inner diameter: 10 mm, Total length: 50 m

Sensor/actuator cable - SAC-17P- 1,5-35T/FR SH SCO



1430323

<https://www.phoenixcontact.com/pc/products/1430323>

Screw plug

Screw plug - PROT-M12 MS-PA-CHAIN - 1430899

<https://www.phoenixcontact.com/pc/products/1430899>

M12 sealing cap with fixing band, for sensor cables, for free M12 sockets



Locking clip

Locking clip - SAC-M12-EXCLIP-F - 1558991

<https://www.phoenixcontact.com/pc/products/1558991>

Locking clip for the socket side of sensor/actuator cables with M12 connector and M12 connectors for assembly, for knurl diameter: 15 mm or for Allen key with a wrench size of 14 mm, prevents the disconnection of plug-in connections without tools



Sensor/actuator cable - SAC-17P- 1,5-35T/FR SH SCO



1430323

<https://www.phoenixcontact.com/pc/products/1430323>

Torque screwdriver

Torque screwdriver - TSD 04 SAC - 1208429

<https://www.phoenixcontact.com/pc/products/1208429>



Torque screwdriver, with preset torque of 0.4 Nm and 4 mm hexagonal drive for M12 connectors

Torque screwdriver

Torque screwdriver - TSD-M 1,2NM - 1212224

<https://www.phoenixcontact.com/pc/products/1212224>



Torque screw driver, accuracy as per EN ISO 6789 standard, adjustable from 0.3 - 1.2 Nm

Sensor/actuator cable - SAC-17P- 1,5-35T/FR SH SCO



1430323

<https://www.phoenixcontact.com/pc/products/1430323>

Adapter insert

Adapter insert - TSD-M SAC-BIT ADAPTER - 1212600

<https://www.phoenixcontact.com/pc/products/1212600>



Adapter bit for TSD-M...torque tools, E6.3-1/4" drive with 4 mm hexagon to accommodate SAC bits

Tool

Tool - SAC BIT M12-D15 - 1208432

<https://www.phoenixcontact.com/pc/products/1208432>



Nut for assembling sensor/actuator cables with M12 connector and M12 connectors for assembly, with a knurl diameter of 15 mm, for 4 mm hexagonal drive

Phoenix Contact 2023 © - all rights reserved

<https://www.phoenixcontact.com>

PHOENIX CONTACT GmbH & Co. KG

Flachsmarktstraße 8

D-32825 Blomberg

+49 (0) 5235-3 00

info@phoenixcontact.com