

**Industrial Ethernet
IE-PCBR-M12X-S-180**

Weidmüller Interface GmbH & Co. KG
Klingenbergstraße 16
D-32758 Detmold
Germany
Fon: +49 5231 14-0
Fax: +49 5231 14-292083
www.weidmueller.com



M12 X type cat. 6A PCB socket, pre-assembled or 2-piece, reflow compatible

General ordering data

Type	IE-PCBR-M12X-S-180
Order No.	1427670000
Version	PCB plug-in connector, M12, Solder connection, Cat.6 _A / Class E _A (ISO/IEC 11801 2010), IP67, when screwed in, Reflow compatible, Back panel mounting, 1-part
GTIN (EAN)	4050118231915
Qty.	10 pc(s).

**Industrial Ethernet
IE-PCBR-M12X-S-180**

Weidmüller Interface GmbH & Co. KG
 Klingenbergstraße 16
 D-32758 Detmold
 Germany
 Fon: +49 5231 14-0
 Fax: +49 5231 14-292083
 www.weidmueller.com

Technical data
Dimensions and weights

Wall thickness, max.	2.5 mm	Wall thickness, min.	0.9 mm
Net weight	16.2 g		

Temperatures

Operating temperature, max.	85 °C	Operating temperature, min.	-40 °C
Operating temperature	-40 °C...85 °C	Storage temperature	
Installation temperature			

General Info

Connection 1	M12	Connection 2	Solder connection
Configuration	Reflow compatible, Back panel mounting	Housing main material	CuZn
Category	Cat.6 _A / Class E _A (ISO/IEC 11801 2010)	connection thread	M12
Contact material	CuZn	Contact surface	Gold over nickel
Shielding material	CuSn	Shielding	360° all-round enclosure
Protection degree	IP67, when screwed in	Plugging cycles	≥ 100

Electrical properties

Current-carrying capacity at 50 °C	0.5 A @ 40 °C	Insulation resistance	100 MΩ
Rated voltage	48 V		

Standards

Connector standard	IEC 61076-2-109	Certificate no. (cULus)	E316369
--------------------	-----------------	-------------------------	---------

Downloads

UL Approval	DUXR.E316369.pdf
-------------	------------------

Classifications

ETIM 6.0	EC002638	eClass 6.2	27-25-05-04
eClass 7.1	27-25-05-04	eClass 8.1	19-17-01-25
eClass 9.0	19-17-01-25	eClass 9.1	27-44-03-09

Approvals

Approvals



ROHS

Conform

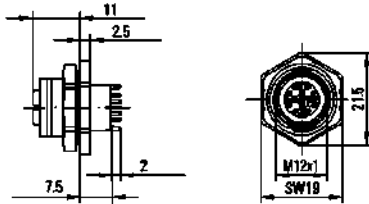
Data sheet

**Industrial Ethernet
IE-PCBR-M12X-S-180**

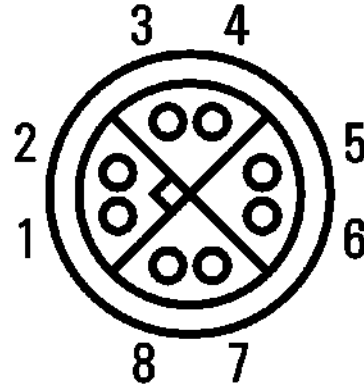
Weidmüller Interface GmbH & Co. KG
 Klingenbergstraße 16
 D-32758 Detmold
 Germany
 Fon: +49 5231 14-0
 Fax: +49 5231 14-292083
 www.weidmueller.com

Drawings

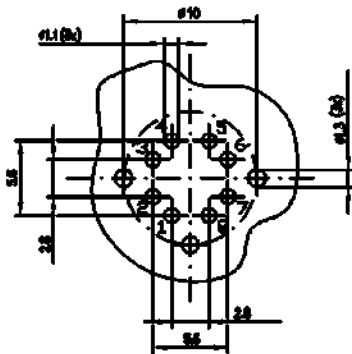
Dimensioned drawing



Pinning



Drilling template



Installation cut-out

