

# Device connector, rear mounting - SACC-DSI-M12FSK4PE-M16/0,2-1,5

1425638

<https://www.phoenixcontact.com/au/products/1425638>

Please be informed that the data shown in this PDF document is generated from our Online Catalog. Please find the complete data in the user documentation. Our General Terms of Use for Downloads are valid.



Device connector, rear mounting, Power, 5-position, Socket, M12, K - Power, Rear mounting, M16 x 1.5, Individual wires, cable length: 0.2 m, 1.31 mm<sup>2</sup>, UL/cUL stranded hook-up wire

## Your advantages

- For compact devices: transmit high power in a confined space
- Easy-to-install, optimized XL housing contour with wrench size 19
- Mechanical tightening limitation for long-term-stable gasket
- Pre-assembled with litz wires for immediate use
- Customer-specific assemblies and litz wire lengths available
- Sealed on the litz wire side for optimum leak-tightness
- For high transmission safety: shield connection to the housing with optional EMC nut

# Device connector, rear mounting - SACC-DSI-M12FSK4PE-M16/0,2-1,5



1425638

<https://www.phoenixcontact.com/au/products/1425638>

## Commercial Data

Item number	1425638
Packing unit	1 pc
Minimum order quantity	1 pc
Sales Key	ABQEAB
Product Key	ABQEAB
Catalog Page	Page 284 (C-2-2019)
GTIN	4055626425924
Weight per Piece (including packing)	48 g
Weight per Piece (excluding packing)	48 g
Customs tariff number	85444290
Country of origin	DE

# Device connector, rear mounting - SACC-DSI-M12FSK4PE-M16/0,2-1,5



1425638

<https://www.phoenixcontact.com/au/products/1425638>

## Technical Data

### Notes

#### Notes on operation

The electrical and mechanical data specified assume that the connector pair is correctly locked and mounted. If the connector is unlocked and if there is a danger of contamination, the connector must be sealed using a protective cap > IP54. Influences arising from litz wires, cables or PCB assembly must also be taken into consideration.

#### Safety note

#### Safety note

**WARNING:** The connectors may not be plugged in or disconnected under load. Ignoring the warning or improper use may damage persons and/or property.

- **WARNING:** Commission properly functioning products only. The products must be regularly inspected for damage. Decommission defective products immediately. Replace damaged products. Repairs are not possible.

- **WARNING:** Only electrically qualified personnel may install and operate the product. They must observe the following safety notes. The qualified personnel must be familiar with the basics of electrical engineering. They must be able to recognize and prevent danger. The relevant symbol on the packaging indicates that only personnel familiar with electrical engineering are allowed to install and operate the product.

- The products are suitable for applications in plant, controller, and electrical device engineering.

- When operating the connectors in outdoor applications, they must be separately protected against environmental influences.

- Assembled products may not be manipulated or improperly opened.

- Only use mating connectors that are specified in the technical data of the standards listed (e.g. the ones listed in the product accessories online at [phoenixcontact.com/products](https://www.phoenixcontact.com/products)).

- When using the product in direct connection with third-party manufacturers, the user is responsible.

- For operating voltages > 50 V AC, conductive connector housings must be grounded

- Ensure that when laying the cable, the tensile load on the connectors does not exceed the upper limit specified in the standards.

- Observe the corresponding technical data. You will find information:

- o On the product

- o On the packing label

- o In the supplied documentation

- o Online at [phoenixcontact.com/products](https://www.phoenixcontact.com/products) under the product

- Only use tools recommended by Phoenix Contact

- Use a protective cap to protect connectors that are not in use. The suitable accessories are available online in the accessory section of the product at [phoenixcontact.com/products](https://www.phoenixcontact.com/products)

# Device connector, rear mounting - SACC-DSI-M12FSK4PE-M16/0,2-1,5



1425638

<https://www.phoenixcontact.com/au/products/1425638>

	<ul style="list-style-type: none"><li>• Ensure that the protective or functional ground has been properly connected.</li><li>• VDE 0100/1.97 § 411.1.3.2 and DIN EN 60 204/11.98 § 14.1.3 are applicable when combining several circuits in a cable and/or connector</li><li>• The connector warms up in normal operation. Depending on the ambient conditions, the surface of the connector can continue to warm up. In this case, the user is responsible for posting warnings (e.g. DIN EN ISO 13732-1:2008-12).</li></ul>
--	---

## Product properties

Product type	Circular connectors (device side)
Number of positions	5
No. of cable outlets	1
Shielded	no
Coding	K - Power

## Insulation characteristics

Overvoltage category	III
Degree of pollution	3

## Ambient conditions

Degree of protection	IP67
Degree of protection	IP65/IP67
Ambient temperature (operation)	-25 °C ... 85 °C (Plug / socket)
	-40 °C ... 85 °C (without mechanical actuation)
	-25 °C ... 105 °C (Cable, flexible installation)
	-40 °C ... 105 °C (cable, fixed installation)

## Connector

Insertion/withdrawal cycles	> 100
-----------------------------	-------

## Header 1

Head design	Socket
Head thread type	M12
Coding	K - Power

## Electrical properties

Rated voltage in acc. with IEC 61076-2-101	630 V
Rated surge voltage	6 kV
Rated surge voltage	6 kV
Nominal voltage $U_N$	630 V
Nominal current $I_N$	12 A
Test voltage	6 kV

## Material specifications

# Device connector, rear mounting - SACC-DSI-M12FSK4PE-M16/0,2-1,5



1425638

<https://www.phoenixcontact.com/au/products/1425638>

Material	PU 2K (Grout material)
Flammability rating according to UL 94	V0
Sealing material	FKM
Contact material	CuZn
Contact surface material	Au
Contact carrier material	PA
Cable gland material	Zinc die-cast, nickel-plated

## Connection data

### Conductor connection

Connection method	Individual wires
-------------------	------------------

## Mounting

Mounting type	Rear mounting
Assembly instructions	Tightening limitation

## Standards and regulations

Flame resistance	in acc. to UL 1581 VW1
------------------	------------------------

### M12

Standards/specifications	IEC 61076-2-111
--------------------------	-----------------

## Cable / line

Cable length	0.2 m
--------------	-------

### Cable structure

Cable type	UL/cUL stranded hook-up wire
Signal type/category	Power
Conductor material	Bare Cu litz wires
AWG signal line	16
Material wire insulation	mPPE
Wire diameter incl. insulation	2.2 mm
Single wire, color	Black 1, black 2, black 3, black 4, green/yellow

### Ambient conditions

Halogen-free	yes
Flame resistance	in acc. to UL 1581 VW1
Ambient temperature (operation)	-25 °C ... 105 °C (Cable, flexible installation) -40 °C ... 105 °C (cable, fixed installation)

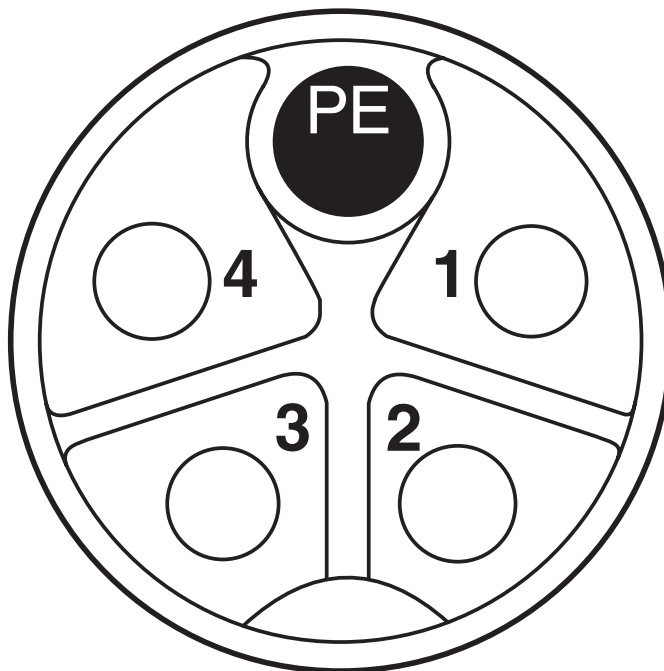
# Device connector, rear mounting - SACC-DSI-M12FSK4PE-M16/0,2-1,5

1425638

<https://www.phoenixcontact.com/au/products/1425638>

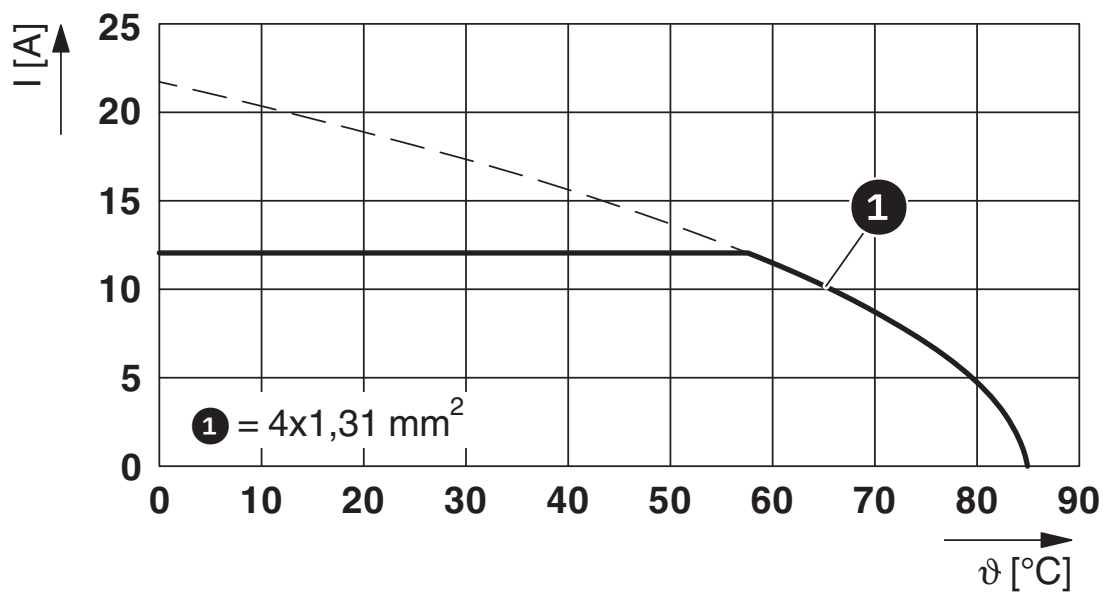
## Drawings

Schematic diagram



Pin assignment of M12 socket, 5-pos., K-coded, socket side view

Diagram



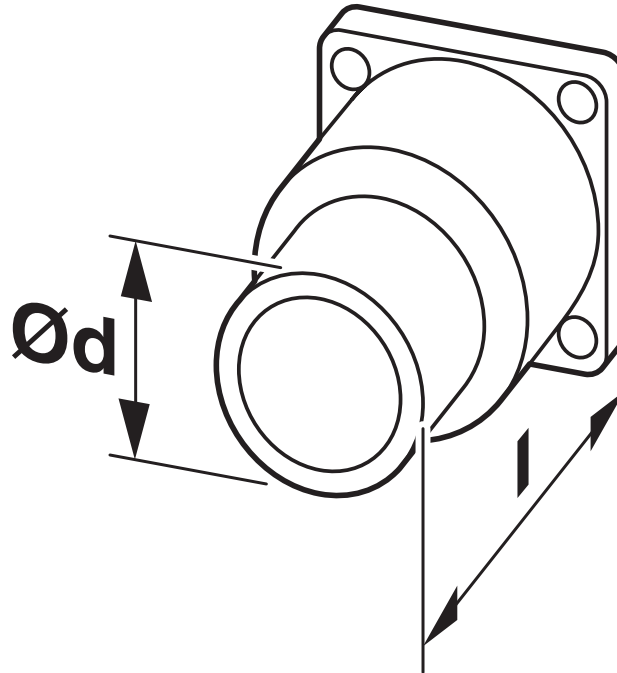
$I$  = current strength,  $T$  = ambient temperature

# Device connector, rear mounting - SACC-DSI-M12FSK4PE-M16/0,2-1,5

1425638

<https://www.phoenixcontact.com/au/products/1425638>

Dimensional drawing



Technical drawings can be found under Downloads

# Device connector, rear mounting - SACC-DSI-M12FSK4PE-M16/0,2-1,5



1425638

<https://www.phoenixcontact.com/au/products/1425638>

## Approvals



**EAC**

Approval ID: B.01687



**cULus Recognized**

Approval ID: E468743-20180113

	Nominal Voltage $U_N$	Nominal Current $I_N$	Cross Section AWG	Cross Section $\text{mm}^2$
	600 V	12 A	- 16	-

# Device connector, rear mounting - SACC-DSI-M12FSK4PE-M16/0,2-1,5



1425638

<https://www.phoenixcontact.com/au/products/1425638>

## Classifications

### ECLASS

ECLASS-9.0	27440102
ECLASS-10.0.1	27440102
ECLASS-11.0	27440102

### ETIM

ETIM 8.0	EC002635
----------	----------

### UNSPSC

UNSPSC 21.0	39121400
-------------	----------

# Device connector, rear mounting - SACC-DSI-M12FSK4PE-M16/0,2-1,5



1425638

<https://www.phoenixcontact.com/au/products/1425638>

## Environmental Product Compliance

REACH SVHC	Lead 7439-92-1
China RoHS	Environmentally Friendly Use Period = 50 years
	For information on hazardous substances, refer to the manufacturer's declaration available under "Downloads"

# Device connector, rear mounting - SACC-DSI-M12FSK4PE-M16/0,2-1,5



1425638

<https://www.phoenixcontact.com/au/products/1425638>

## Accessories

### Screw plug

Screw plug - PROT M12 MS PWR - 1092802

<https://www.phoenixcontact.com/au/products/1092802>



An M12 screw plug for the unoccupied M12 females of the M12 POWER connectors, boxes, and flush-type connectors

---

Phoenix Contact 2022 © - all rights reserved  
<https://www.phoenixcontact.com>

PHOENIX CONTACT PTY Ltd  
Unit 7, 2-8 South Street  
Rydalmere NSW 2116  
1300 786 411  
[customerservice@phoenixcontact.com.au](mailto:customerservice@phoenixcontact.com.au)