

Flush-type connector - SACC-E-M12FSK4PE-M16XL/0,2-1,5



1425636

<https://www.phoenixcontact.com/pc/products/1425636>

Please be informed that the data shown in this PDF document is generated from our Online Catalog. Please find the complete data in the user documentation. Our General Terms of Use for Downloads are valid.



Flush-type connector, Power, 5-position, Socket, M12, K - Power, Front mounting, M16 x 1.5, Individual wires, cable length: 0.2 m, 1.31 mm², UL/cUL stranded hook-up wire

Your advantages

- For compact devices: transmit high power in a confined space
- Easy-to-install, optimized XL housing contour with wrench size 19
- Mechanical tightening limitation for long-term-stable gasket
- Pre-assembled with litz wires for immediate use
- Customer-specific assemblies and litz wire lengths available
- Sealed on the litz wire side for optimum leak-tightness
- For high transmission safety: shield connection to the housing with optional EMC nut

Flush-type connector - SACC-E-M12FSK4PE-M16XL/0,2-1,5



1425636

<https://www.phoenixcontact.com/pc/products/1425636>

Commercial Data

Item number	1425636
Packing unit	1 pc
Minimum order quantity	1 pc
Note	Made to Order (non-returnable)
Product Key	ABQEAB
Catalog Page	Page 284 (C-2-2019)
GTIN	4055626425870
Weight per Piece (including packing)	43.625 g
Weight per Piece (excluding packing)	33.2 g
Customs tariff number	85444290
Country of origin	DE

Flush-type connector - SACC-E-M12FSK4PE-M16XL/0,2-1,5



1425636

<https://www.phoenixcontact.com/pc/products/1425636>

Technical Data

Notes

Notes on operation	The electrical and mechanical data specified assume that the connector pair is correctly locked and mounted. If the connector is unlocked and if there is a danger of contamination, the connector must be sealed using a protective cap > IP54. Influences arising from litz wires, cables or PCB assembly must also be taken into consideration.
Safety note	<p>WARNING: The connectors may not be plugged in or disconnected under load. Ignoring the warning or improper use may damage persons and/or property.</p> <ul style="list-style-type: none">• WARNING: Commission properly functioning products only. The products must be regularly inspected for damage. Decommission defective products immediately. Replace damaged products. Repairs are not possible.• WARNING: Only electrically qualified personnel may install and operate the product. They must observe the following safety notes. The qualified personnel must be familiar with the basics of electrical engineering. They must be able to recognize and prevent danger. The relevant symbol on the packaging indicates that only personnel familiar with electrical engineering are allowed to install and operate the product.• The products are suitable for applications in plant, controller, and electrical device engineering.• When operating the connectors in outdoor applications, they must be separately protected against environmental influences.• Assembled products may not be manipulated or improperly opened.• Only use mating connectors that are specified in the technical data of the standards listed (e.g. the ones listed in the product accessories online at phoenixcontact.com/products).• When using the product in direct connection with third-party manufacturers, the user is responsible.• For operating voltages > 50 V AC, conductive connector housings must be grounded• Ensure that when laying the cable, the tensile load on the connectors does not exceed the upper limit specified in the standards.• Observe the corresponding technical data. You will find information:<ul style="list-style-type: none">o On the producto On the packing labelo In the supplied documentationo Online at phoenixcontact.com/products under the product• Only use tools recommended by Phoenix Contact• Use a protective cap to protect connectors that are not in use. The suitable accessories are available online in the accessory section of the product at phoenixcontact.com/products• Ensure that the protective or functional ground has been properly connected.

Flush-type connector - SACC-E-M12FSK4PE-M16XL/0,2-1,5



1425636

<https://www.phoenixcontact.com/pc/products/1425636>

	<ul style="list-style-type: none"> • VDE 0100/1.97 § 411.1.3.2 and DIN EN 60 204/11.98 § 14.1.3 are applicable when combining several circuits in a cable and/or connector • The connector warms up in normal operation. Depending on the ambient conditions, the surface of the connector can continue to warm up. In this case, the user is responsible for posting warnings (e.g. DIN EN ISO 13732-1:2008-12).
--	---

Product properties

Product type	Circular connectors (device side)
Number of positions	5
No. of cable outlets	1
Shielded	no
Coding	K - Power

Insulation characteristics

Overvoltage category	III
Degree of pollution	3

Ambient conditions

Degree of protection	IP67
Degree of protection	IP65/IP67
Ambient temperature (operation)	-25 °C ... 85 °C (Plug / socket)
	-40 °C ... 85 °C (without mechanical actuation)
	-25 °C ... 105 °C (Cable, flexible installation)
	-40 °C ... 105 °C (cable, fixed installation)

Connector

Insertion/withdrawal cycles	> 100
-----------------------------	-------

Header 1

Head design	Socket
Head thread type	M12
Coding	K - Power

Electrical properties

Rated voltage in acc. with IEC 61076-2-101	630 V
Rated surge voltage	6 kV
Rated surge voltage	6 kV
Contact resistance	≤ 3 mΩ
Insulation resistance	≥ 100 MΩ
Nominal voltage U_N	630 V
Nominal current I_N	12 A
Test voltage	6 kV

Material specifications

Material	PU 2K (Grout material)
----------	------------------------

Flush-type connector - SACC-E-M12FSK4PE-M16XL/0,2-1,5



1425636

<https://www.phoenixcontact.com/pc/products/1425636>

Flammability rating according to UL 94	V0
Sealing material	FKM
Contact material	CuZn
Contact surface material	Au
Contact carrier material	PA
Cable gland material	Zinc die-cast, nickel-plated

Connection data

Conductor connection

Connection method	Individual wires
-------------------	------------------

Mounting

Mounting type	Front mounting
Assembly instructions	Tightening limitation

Standards and regulations

Flame resistance	in acc. to UL 1581 VW1
------------------	------------------------

M12

Standards/specifications	IEC 61076-2-111
--------------------------	-----------------

Cable / line

Cable length	0.2 m
--------------	-------

Cable structure

Cable type	UL/cUL stranded hook-up wire
Signal type/category	Power
Conductor material	Bare Cu litz wires
AWG signal line	16
Material wire insulation	mPPE
Wire diameter incl. insulation	2.2 mm
Single wire, color	Black 1, black 2, black 3, black 4, green/yellow

Ambient conditions

Halogen-free	yes
Flame resistance	in acc. to UL 1581 VW1
Ambient temperature (operation)	-25 °C ... 105 °C (Cable, flexible installation) -40 °C ... 105 °C (cable, fixed installation)

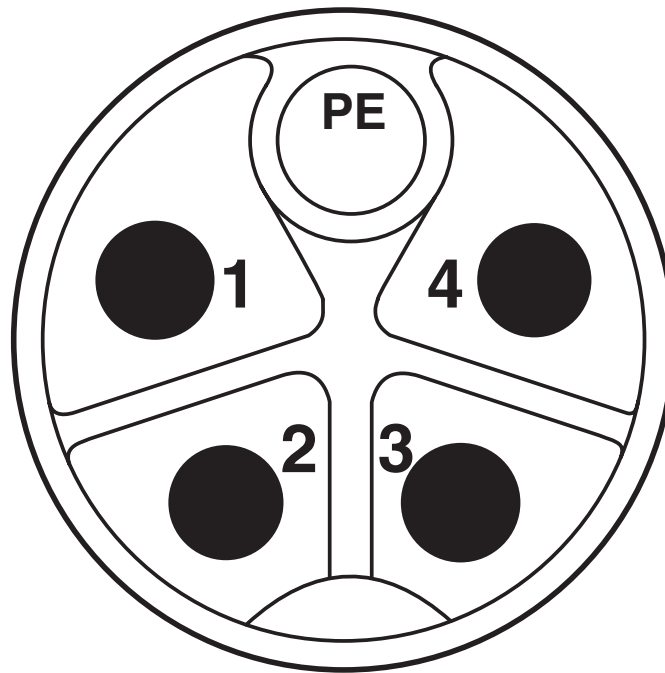
Flush-type connector - SACC-E-M12FSK4PE-M16XL/0,2-1,5

1425636

<https://www.phoenixcontact.com/pc/products/1425636>

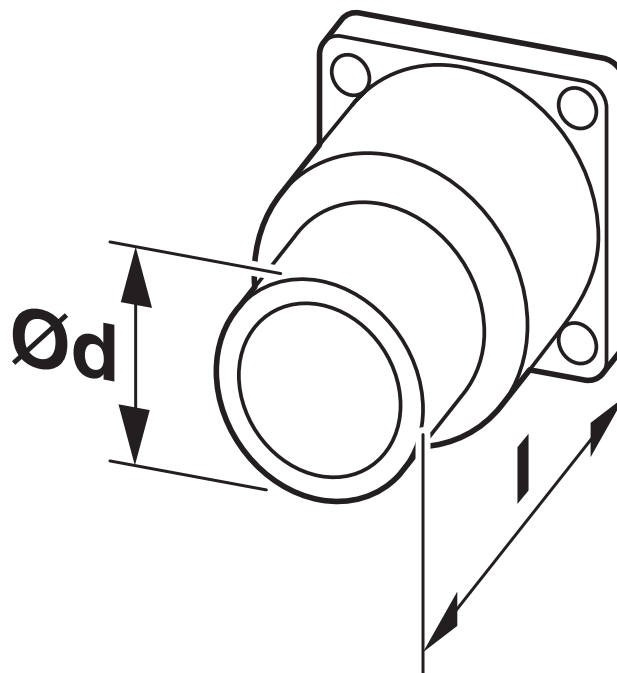
Drawings

Schematic diagram



Connector pin assignment of M12 plug, 5-pos., K-coded, pin side view

Dimensional drawing



Technical drawings can be found under Downloads

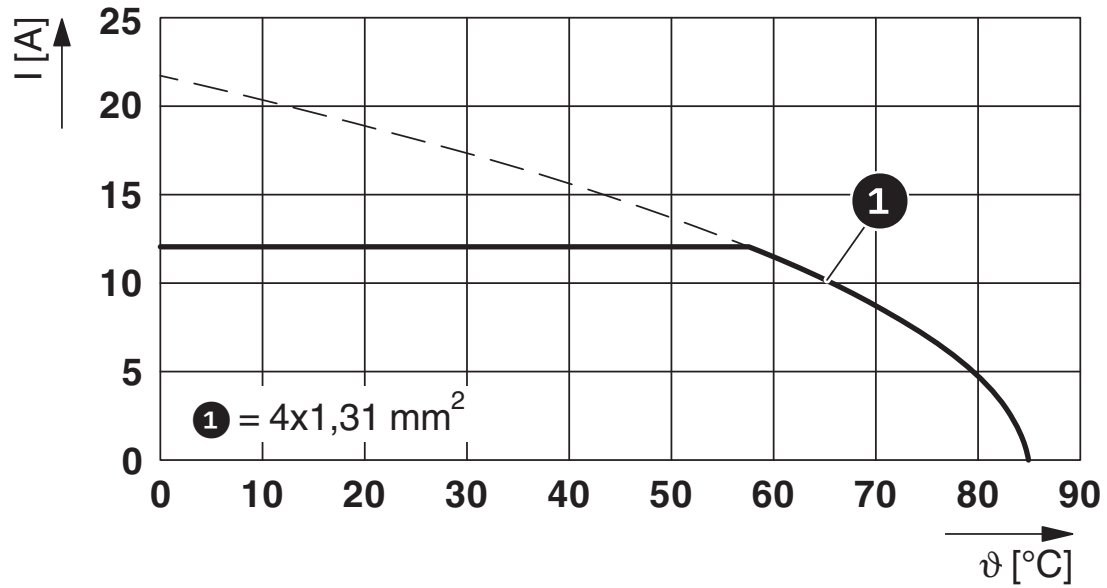
Flush-type connector - SACC-E-M12FSK4PE-M16XL/0,2-1,5



1425636

<https://www.phoenixcontact.com/pc/products/1425636>

Diagram



I = current strength, T = ambient temperature

Flush-type connector - SACC-E-M12FSK4PE-M16XL/0,2-1,5



1425636

<https://www.phoenixcontact.com/pc/products/1425636>

Approvals



EAC

Approval ID: B.01687



cULus Recognized

Approval ID: E468743-20180113

	Nominal Voltage U_N	Nominal Current I_N	Cross Section AWG	Cross Section mm^2
	600 V	12 A	- 16	-

Flush-type connector - SACC-E-M12FSK4PE-M16XL/0,2-1,5



1425636

<https://www.phoenixcontact.com/pc/products/1425636>

Classifications

ECLASS

ECLASS-9.0	27440102
ECLASS-10.0.1	27440102
ECLASS-11.0	27440102

ETIM

ETIM 8.0	EC002635
----------	----------

UNSPSC

UNSPSC 21.0	39121400
-------------	----------

Flush-type connector - SACC-E-M12FSK4PE-M16XL/0,2-1,5



1425636

<https://www.phoenixcontact.com/pc/products/1425636>

Environmental Product Compliance

REACH SVHC	Lead 7439-92-1
China RoHS	Environmentally Friendly Use Period = 50 years
	For information on hazardous substances, refer to the manufacturer's declaration available under "Downloads"

Flush-type connector - SACC-E-M12FSK4PE-M16XL/0,2-1,5

1425636

<https://www.phoenixcontact.com/pc/products/1425636>

Accessories

Flat nut

Flat nut - SACC-E-MU-M16 - 1504097

<https://www.phoenixcontact.com/pc/products/1504097>

Flat nut with M16 thread



Screw plug

Screw plug - PROT M12 MS PWR - 1092802

<https://www.phoenixcontact.com/pc/products/1092802>

An M12 screw plug for the unoccupied M12 females of the M12 POWER connectors, boxes, and flush-type connectors



Phoenix Contact 2022 © - all rights reserved

<https://www.phoenixcontact.com>

PHOENIX CONTACT GmbH & Co. KG

Flachmarktstraße 8

D-32825 Blomberg

+49 (0) 5235-3 00

info@phoenixcontact.com