

Flush-type connector - SACC-CI-M12MSL-4FE-L180 THR SH GR R



1425601

<https://www.phoenixcontact.com/pc/products/1425601>

Please be informed that the data shown in this PDF document is generated from our Online Catalog. Please find the complete data in the user documentation. Our General Terms of Use for Downloads are valid.



Flush-type connector, Power, 5-position, Plug, straight, L - Power, PCB mounting, THR solder connection

Your advantages

- For compact devices: transmit high power in a confined space
- Reduced mounting costs thanks to two-piece device connector
- Packaging available for automated pick and place assembly
- All common pin assignments and codings available
- Easy device integration, thanks to mechanical port screw connections with threaded fastening
- Additional gasket for the device when not plugged in

Flush-type connector - SACC-CI-M12MSL-4FE-L180 THR SH GR R



1425601

<https://www.phoenixcontact.com/pc/products/1425601>

Commercial Data

Item number	1425601
Packing unit	60 pc
Minimum order quantity	60 pc
Note	Made to Order (non-returnable)
Product Key	ABQEAC
GTIN	4055626498553
Weight per Piece (including packing)	11.383 g
Weight per Piece (excluding packing)	10.79 g
Customs tariff number	85366990
Country of origin	DE

Flush-type connector - SACC-CI-M12MSL-4FE-L180 THR SH GR R



1425601

<https://www.phoenixcontact.com/pc/products/1425601>

Technical Data

Notes

Notes on operation	The electrical and mechanical data specified assume that the connector pair is correctly locked and mounted. If the connector is unlocked and if there is a danger of contamination, the connector must be sealed using a protective cap > IP54. Influences arising from litz wires, cables or PCB assembly must also be taken into consideration.
Notes on operation	FE not connected to metal parts that can be touched, no protective function

Product properties

Product type	Contact insert
Number of positions	5
Shielded	yes
Coding	L - Power

Insulation characteristics

Overvoltage category	III
Degree of pollution	3

Electrical properties

Rated surge voltage	1.5 kV
Nominal voltage U_N	63 V
Nominal current I_N	16 A

Interfaces

Signal type/category	Power
----------------------	-------

Material specifications

Flammability rating according to UL 94	V0
Sealing material	FKM
Contact material	CuZn
Contact surface material	Au
Contact carrier material	PA4T

Connector

Insertion/withdrawal cycles	> 100
-----------------------------	-------

Header 1

Head design	Plug
Head cable outlet	straight
Coding	L - Power

Flush-type connector - SACC-CI-M12MSL-4FE-L180 THR SH GR R



1425601

<https://www.phoenixcontact.com/pc/products/1425601>

Cable / line

Cable structure

Signal type/category	Power
----------------------	-------

Environmental and real-life conditions

Ambient conditions

Degree of protection (when plugged in)	IP67 (correctly plugged in and locked)
Degree of protection	IP67 (correctly plugged in and locked)
Degree of protection	IP67, when plugged in
Ambient temperature (operation)	-25 °C ... 105 °C
	-40 °C ... 105 °C (without mechanical actuation)

Standards and regulations

M12

Standards/specifications	IEC 61076-2-111
--------------------------	-----------------

Mounting

Mounting type	PCB mounting
---------------	--------------

Packaging specifications

Type of packaging	Belt
Delivery state	with assembly pad

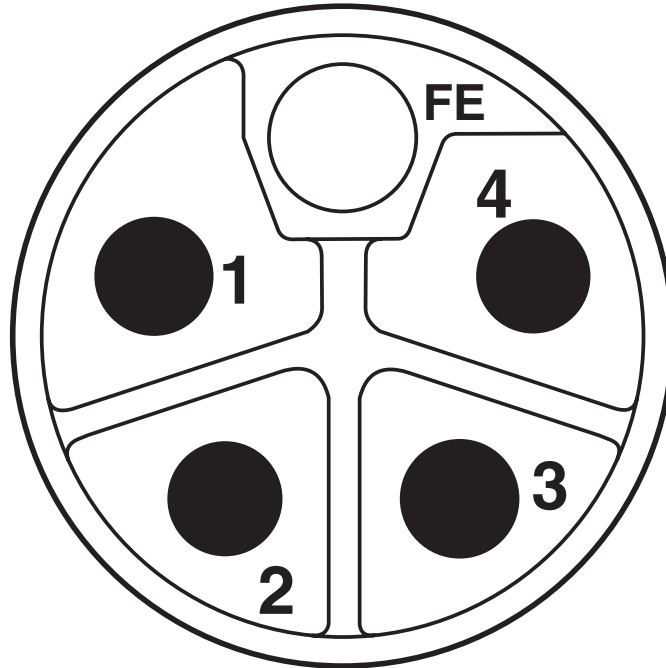
Flush-type connector - SACC-CI-M12MSL-4FE-L180 THR SH GR R

1425601

<https://www.phoenixcontact.com/pc/products/1425601>

Drawings

Schematic diagram



Pin assignment of M12 connector, 5-pos., L-coded, pin side view

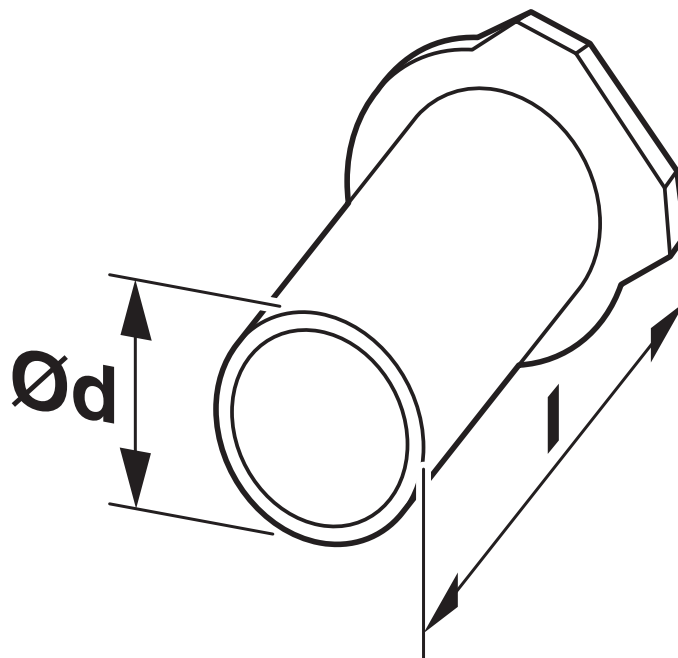
Flush-type connector - SACC-CI-M12MSL-4FE-L180 THR SH GR R



1425601

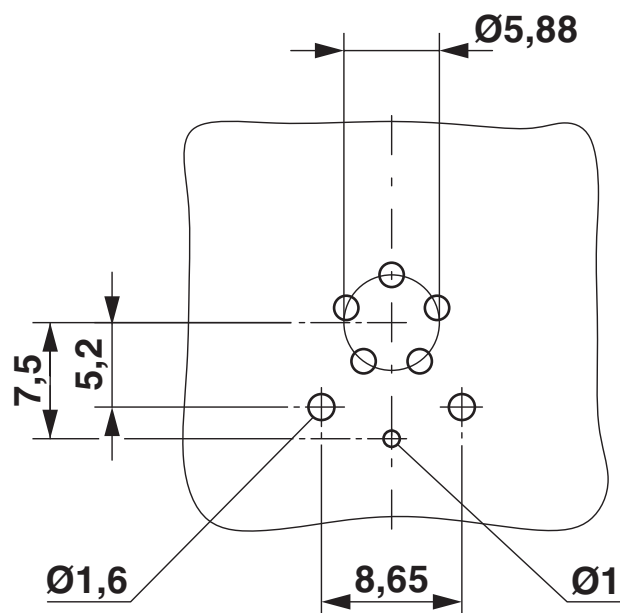
<https://www.phoenixcontact.com/pc/products/1425601>

Dimensional drawing



Technical drawings can be found under Downloads

Drilling plan/solder pad geometry



Soldering pad geometry

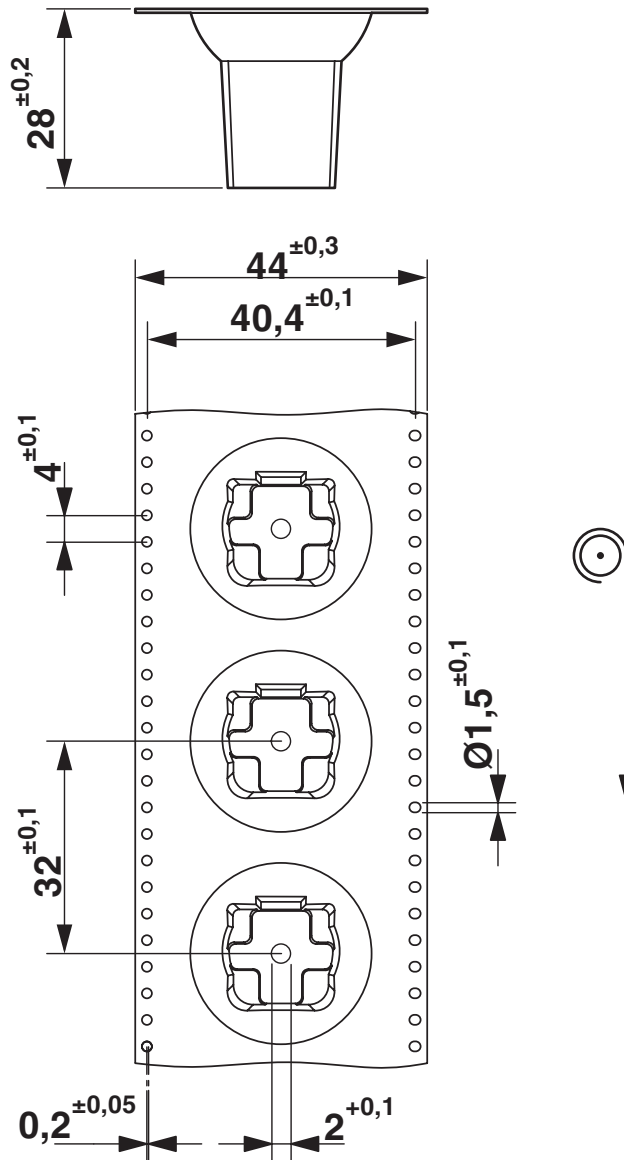
Flush-type connector - SACC-CI-M12MSL-4FE-L180 THR SH GR R



1425601

<https://www.phoenixcontact.com/pc/products/1425601>

Dimensional drawing



THR tape-on-reel packing

Flush-type connector - SACC-CI-M12MSL-4FE-L180 THR SH GR R



1425601

<https://www.phoenixcontact.com/pc/products/1425601>

Approvals



EAC

Approval ID: B.01687



cULus Recognized

Approval ID: E468743-20180113

	Nominal Voltage U_N	Nominal Current I_N	Cross Section AWG	Cross Section mm^2
	63 V	16 A	-	-

Flush-type connector - SACC-CI-M12MSL-4FE-L180 THR SH GR R



1425601

<https://www.phoenixcontact.com/pc/products/1425601>

Classifications

ECLASS

ECLASS-9.0	27440103
ECLASS-10.0.1	27440109
ECLASS-11.0	27440109

ETIM

ETIM 8.0	EC003569
----------	----------

UNSPSC

UNSPSC 21.0	39121400
-------------	----------

Flush-type connector - SACC-CI-M12MSL-4FE-L180 THR SH GR R



1425601

<https://www.phoenixcontact.com/pc/products/1425601>

Environmental Product Compliance

China RoHS	Environmentally friendly use period: unlimited = EFUP-e
	No hazardous substances above threshold values

Flush-type connector - SACC-CI-M12MSL-4FE-L180 THR SH GR R



1425601

<https://www.phoenixcontact.com/pc/products/1425601>

Accessories

Housing screw connection

Housing screw connection - SACC-FP-M-M12/M14 THR PW - 1420824

<https://www.phoenixcontact.com/pc/products/1420824>



Housing screw connection with M12 standard thread, with O-ring, for 2-piece K, L, and M-coded THR contact carriers

Housing screw connection

Housing screw connection - SACC-BP-M-M12/M15-6-THR PW - 1420826

<https://www.phoenixcontact.com/pc/products/1420826>



Housing screw connection with M12 standard thread, with O-ring, for 2-piece K, L, and M-coded THR contact carriers

Flush-type connector - SACC-CI-M12MSL-4FE-L180 THR SH GR R



1425601

<https://www.phoenixcontact.com/pc/products/1425601>

Housing screw connection

Housing screw connection - SACC-FP-M-M12-THR PW PP - 1108115

<https://www.phoenixcontact.com/pc/products/1108115>



Housing screw connection with M12 standard thread, push-pull, with O-ring, for 2-piece K-, L-, and M-coded THR contact carriers

Housing screw connection

Housing screw connection - SACC-BP-M-M12-THR PW PP - 1108101

<https://www.phoenixcontact.com/pc/products/1108101>



Housing screw connection with M12 standard thread, push-pull, with O-ring, for 2-piece K-, L-, and M-coded THR contact carriers

Phoenix Contact 2022 © - all rights reserved

<https://www.phoenixcontact.com>

PHOENIX CONTACT GmbH & Co. KG

Flachsmarktstraße 8

D-32825 Blomberg

+49 (0) 5235-3 00

info@phoenixcontact.com