

# Device connector, rear mounting - SACC-DSI-M12MSL4CON-M16XL-L180

1425592

<https://www.phoenixcontact.com/au/products/1425592>

Please be informed that the data shown in this PDF document is generated from our Online Catalog. Please find the complete data in the user documentation. Our General Terms of Use for Downloads are valid.

---



Device connector, rear mounting, Power, 4-position, Plug, straight, M12, L-coded, Rear mounting, M16 x 1.5, Solder pins

---

## Your advantages

- Easy PCB assembly: one-piece connectors for wave soldering
- For compact devices: transmit high power in a confined space
- Easy-to-install, optimized XL housing contour with wrench size 19
- Mechanical tightening limitation for long-term-stable gasket

# Device connector, rear mounting - SACC-DSI-M12MSL4CON-M16XL-L180



1425592

<https://www.phoenixcontact.com/au/products/1425592>

## Commercial Data

Item number	1425592
Packing unit	20 pc
Minimum order quantity	20 pc
Note	Made to Order (non-returnable)
Sales Key	ABQEAC
Product Key	ABQEAC
GTIN	4055626428451
Weight per Piece (including packing)	17.8 g
Weight per Piece (excluding packing)	17.8 g
Customs tariff number	85366990
Country of origin	DE

# Device connector, rear mounting - SACC-DSI-M12MSL4CON-M16XL-L180



1425592

<https://www.phoenixcontact.com/au/products/1425592>

## Technical Data

### Notes

Notes on operation	The electrical and mechanical data specified assume that the connector pair is correctly locked and mounted. If the connector is unlocked and if there is a danger of contamination, the connector must be sealed using a protective cap > IP54. Influences arising from litz wires, cables or PCB assembly must also be taken into consideration.
--------------------	--

### Product properties

Product type	Circular connectors (device side)
Number of positions	4
Coding	L - Power

### Insulation characteristics

Overvoltage category	III
Degree of pollution	3

### Ambient conditions

Degree of protection	IP67
Degree of protection	IP65/IP67
Ambient temperature (operation)	-25 °C ... 85 °C (Plug / socket) -40 °C ... 85 °C (without mechanical actuation)

### Connector

Insertion/withdrawal cycles	> 100
-----------------------------	-------

### Header 1

Head design	Plug
Head cable outlet	straight
Head thread type	M12
Coding	L-coded

### Electrical properties

Rated surge voltage	1.5 kV
Nominal voltage $U_N$	63 V DC
Nominal current $I_N$	16 A

### Material specifications

Material	PU 2K (Grout material)
Flammability rating according to UL 94	V0
Sealing material	FKM
Contact material	CuZn
Contact surface material	Au

# Device connector, rear mounting - SACC-DSI-M12MSL4CON-M16XL-L180



1425592

<https://www.phoenixcontact.com/au/products/1425592>

Contact carrier material	PA
Cable gland material	Zinc die-cast, nickel-plated

## Connection data

### Conductor connection

Connection method	Solder pins
-------------------	-------------

## Mounting

Mounting type	Rear mounting, M16 x 1.5 thread with flat nut
Assembly instructions	With flat nut

## Standards and regulations

### M12

Standards/specifications	IEC 61076-2-111
--------------------------	-----------------

## Cable / line

### Cable structure

Signal type/category	Power
----------------------	-------

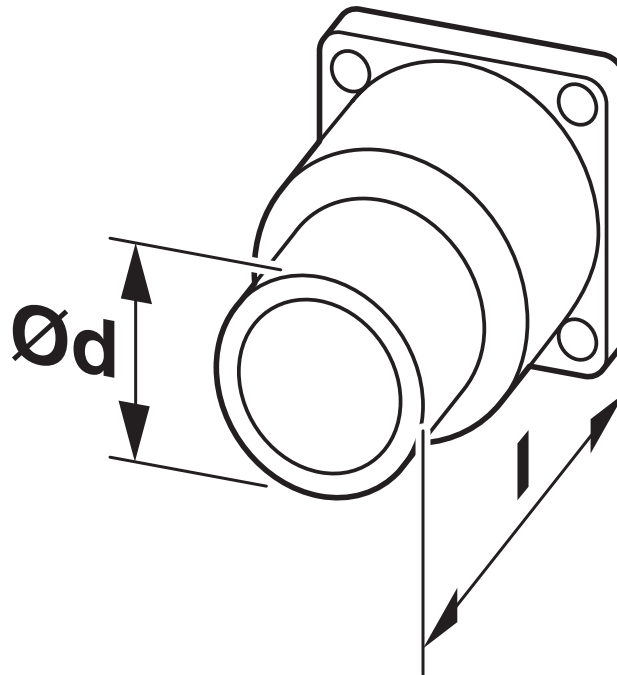
# Device connector, rear mounting - SACC-DSI-M12MSL4CON-M16XL-L180

1425592

<https://www.phoenixcontact.com/au/products/1425592>

## Drawings

Dimensional drawing



Technical drawings can be found under Downloads

# Device connector, rear mounting - SACC-DSI-M12MSL4CON-M16XL-L180

1425592

<https://www.phoenixcontact.com/au/products/1425592>

Schematic diagram



Pin assignment of M12 connector, 4-pos., L-coded, pin side view

# Device connector, rear mounting - SACC-DSI-M12MSL4CON-M16XL-L180



1425592

<https://www.phoenixcontact.com/au/products/1425592>

## Approvals



**EAC**

Approval ID: B.01687



**cULus Recognized**

Approval ID: E468743-20180113

	Nominal Voltage $U_N$	Nominal Current $I_N$	Cross Section AWG	Cross Section $\text{mm}^2$
	63 V	16 A	-	-

# Device connector, rear mounting - SACC-DSI-M12MSL4CON-M16XL-L180



1425592

<https://www.phoenixcontact.com/au/products/1425592>

## Classifications

### ECLASS

ECLASS-9.0	27440102
ECLASS-10.0.1	27440102
ECLASS-11.0	27440102

### ETIM

ETIM 8.0	EC002635
----------	----------

### UNSPSC

UNSPSC 21.0	39121400
-------------	----------

# Device connector, rear mounting - SACC-DSI-M12MSL4CON-M16XL-L180



1425592

<https://www.phoenixcontact.com/au/products/1425592>

## Environmental Product Compliance

REACH SVHC	Lead 7439-92-1
China RoHS	Environmentally Friendly Use Period = 50 years For information on hazardous substances, refer to the manufacturer's declaration available under "Downloads"

# Device connector, rear mounting - SACC-DSI-M12MSL4CON-M16XL-L180



1425592

<https://www.phoenixcontact.com/au/products/1425592>

## Accessories

### Sealing cap

Sealing cap - PROT-M12 FS - 1560251

<https://www.phoenixcontact.com/au/products/1560251>



M12 sealing cap for unoccupied M12 plugs of the sensor/actuator cable, flush-type plugs and I/O devices in the field

### Sealing cap

Sealing cap - PROT-M12 FS-M - 1430488

<https://www.phoenixcontact.com/au/products/1430488>



M12 metal sealing cap for unoccupied M12 plugs of the sensor/actuator cable, flush-type plugs and I/O devices in the field

Phoenix Contact 2022 © - all rights reserved  
<https://www.phoenixcontact.com>

PHOENIX CONTACT PTY Ltd  
Unit 7, 2-8 South Street  
Rydalmere NSW 2116  
1300 786 411  
[customerservice@phoenixcontact.com.au](mailto:customerservice@phoenixcontact.com.au)