

Device connector, rear mounting - SACC-DSI-M12MSL4FEM16XL-L180GR

1425590

<https://www.phoenixcontact.com/au/products/1425590>

Please be informed that the data shown in this PDF document is generated from our Online Catalog. Please find the complete data in the user documentation. Our General Terms of Use for Downloads are valid.



Device connector, rear mounting, Power, 5-position, Plug, straight, M12, L-coded, Rear mounting, M16 x 1.5, Solder pins

Your advantages

- Easy PCB assembly: one-piece connectors for wave soldering
- For compact devices: transmit high power in a confined space
- Easy-to-install, optimized XL housing contour with wrench size 19
- Mechanical tightening limitation for long-term-stable gasket

Device connector, rear mounting - SACC-DSI-M12MSL4FEM16XL-L180GR



1425590

<https://www.phoenixcontact.com/au/products/1425590>

Commercial Data

Item number	1425590
Packing unit	20 pc
Minimum order quantity	20 pc
Sales Key	ABQEAC
Product Key	ABQEAC
GTIN	4055626428437
Weight per Piece (including packing)	18.59 g
Weight per Piece (excluding packing)	18.59 g
Customs tariff number	85366990
Country of origin	DE

Device connector, rear mounting - SACC-DSI-M12MSL4FEM16XL-L180GR



1425590

<https://www.phoenixcontact.com/au/products/1425590>

Technical Data

Notes

Notes on operation	The electrical and mechanical data specified assume that the connector pair is correctly locked and mounted. If the connector is unlocked and if there is a danger of contamination, the connector must be sealed using a protective cap > IP54. Influences arising from litz wires, cables or PCB assembly must also be taken into consideration.
Notes on operation	FE not connected to metal parts that can be touched, no protective function

Product properties

Product type	Circular connectors (device side)
Number of positions	5
Coding	L - Power

Insulation characteristics

Overvoltage category	III
Degree of pollution	3

Ambient conditions

Degree of protection	IP67
Degree of protection	IP65/IP67
Ambient temperature (operation)	-25 °C ... 85 °C (Plug / socket) -40 °C ... 85 °C (without mechanical actuation)

Connector

Insertion/withdrawal cycles	> 100
-----------------------------	-------

Header 1

Head design	Plug
Head cable outlet	straight
Head thread type	M12
Coding	L-coded

Electrical properties

Rated surge voltage	1.5 kV
Nominal voltage U_N	63 V DC
Nominal current I_N	16 A

Material specifications

Material	PU 2K (Grout material)
Flammability rating according to UL 94	V0
Sealing material	FKM

Device connector, rear mounting - SACC-DSI-M12MSL4FEM16XL-L180GR



1425590

<https://www.phoenixcontact.com/au/products/1425590>

Contact material	CuZn
Contact surface material	Au
Contact carrier material	PA
Cable gland material	Zinc die-cast, nickel-plated

Connection data

Conductor connection

Connection method	Solder pins
-------------------	-------------

Mounting

Mounting type	Rear mounting, M16 x 1.5 thread with flat nut
Assembly instructions	With flat nut

Standards and regulations

M12

Standards/specifications	IEC 61076-2-111
--------------------------	-----------------

Cable / line

Cable structure

Signal type/category	Power
----------------------	-------

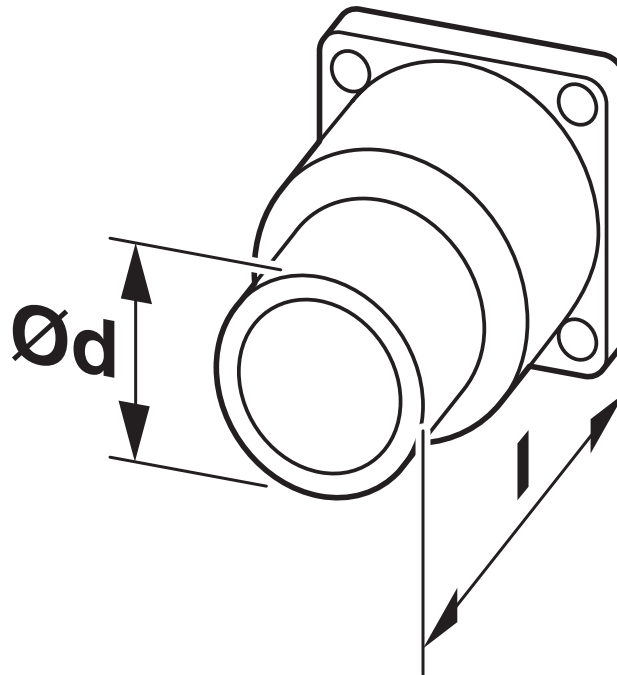
Device connector, rear mounting - SACC-DSI-M12MSL4FEM16XL-L180GR

1425590

<https://www.phoenixcontact.com/au/products/1425590>

Drawings

Dimensional drawing



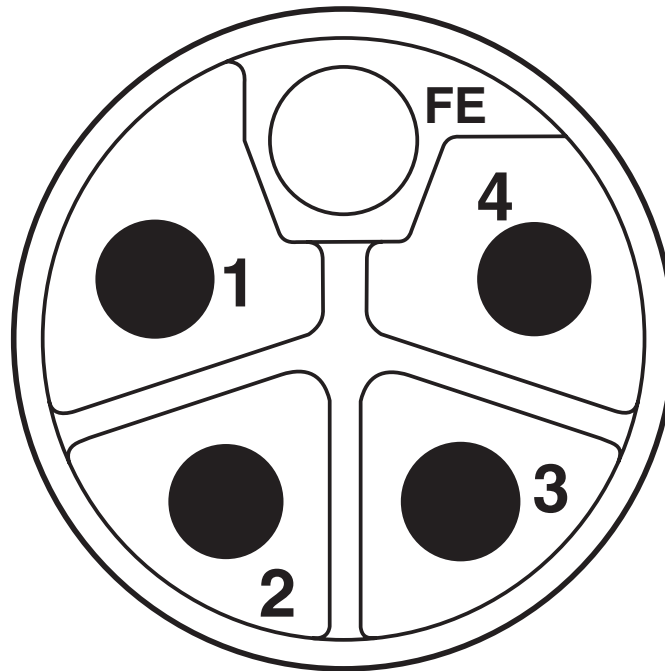
Technical drawings can be found under Downloads

Device connector, rear mounting - SACC-DSI-M12MSL4FEM16XL-L180GR

1425590

<https://www.phoenixcontact.com/au/products/1425590>

Schematic diagram



Pin assignment of M12 connector, 5-pos., L-coded, pin side view

Device connector, rear mounting - SACC-DSI-M12MSL4FEM16XL-L180GR



1425590

<https://www.phoenixcontact.com/au/products/1425590>

Approvals



EAC

Approval ID: B.01687



cULus Recognized

Approval ID: E468743-20180113

	Nominal Voltage U_N	Nominal Current I_N	Cross Section AWG	Cross Section mm^2
	63 V	16 A	-	-

Device connector, rear mounting - SACC-DSI-M12MSL4FEM16XL-L180GR



1425590

<https://www.phoenixcontact.com/au/products/1425590>

Classifications

ECLASS

ECLASS-9.0	27440102
ECLASS-10.0.1	27440102
ECLASS-11.0	27440102

ETIM

ETIM 8.0	EC002635
----------	----------

UNSPSC

UNSPSC 21.0	39121400
-------------	----------

Device connector, rear mounting - SACC-DSI-M12MSL4FEM16XL-L180GR



1425590

<https://www.phoenixcontact.com/au/products/1425590>

Environmental Product Compliance

REACH SVHC	Lead 7439-92-1
China RoHS	Environmentally Friendly Use Period = 50 years
	For information on hazardous substances, refer to the manufacturer's declaration available under "Downloads"

Device connector, rear mounting - SACC-DSI-M12MSL4FEM16XL-L180GR



1425590

<https://www.phoenixcontact.com/au/products/1425590>

Accessories

Sealing cap

Sealing cap - PROT-M12 FS - 1560251

<https://www.phoenixcontact.com/au/products/1560251>



M12 sealing cap for unoccupied M12 plugs of the sensor/actuator cable, flush-type plugs and I/O devices in the field

Sealing cap

Sealing cap - PROT-M12 FS-M - 1430488

<https://www.phoenixcontact.com/au/products/1430488>



M12 metal sealing cap for unoccupied M12 plugs of the sensor/actuator cable, flush-type plugs and I/O devices in the field

Phoenix Contact 2022 © - all rights reserved
<https://www.phoenixcontact.com>

PHOENIX CONTACT PTY Ltd
Unit 7, 2-8 South Street
Rydalmere NSW 2116
1300 786 411
customerservice@phoenixcontact.com.au