

Device connector, rear mounting - SACC-DSI-M12MSL-4CON-M16XL/0,2

1425588

<https://www.phoenixcontact.com/au/products/1425588>

Please be informed that the data shown in this PDF document is generated from our Online Catalog. Please find the complete data in the user documentation. Our General Terms of Use for Downloads are valid.



Device connector, rear mounting, Power, 4-position, Plug, M12, L - Power, Rear mounting, M16 x 1.5, Individual wires, cable length: 0.2 m, 2.50 mm², PEX litz wire

Your advantages

- For compact devices: transmit high power in a confined space
- Easy-to-install, optimized XL housing contour with wrench size 19
- Mechanical tightening limitation for long-term-stable gasket
- Pre-assembled with litz wires for immediate use
- Customer-specific assemblies and litz wire lengths available
- Sealed on the litz wire side for optimum leak-tightness
- For high transmission safety: shield connection to the housing with optional EMC nut

Device connector, rear mounting - SACC-DSI-M12MSL-4CON-M16XL/0,2



1425588

<https://www.phoenixcontact.com/au/products/1425588>

Commercial Data

Item number	1425588
Packing unit	1 pc
Minimum order quantity	1 pc
Sales Key	ABQEAA
Product Key	ABQEAA
Catalog Page	Page 285 (C-2-2019)
GTIN	4055626424378
Weight per Piece (including packing)	44.7 g
Weight per Piece (excluding packing)	53.2 g
Customs tariff number	85444290
Country of origin	DE

Device connector, rear mounting - SACC-DSI-M12MSL-4CON-M16XL/0,2



1425588

<https://www.phoenixcontact.com/au/products/1425588>

Technical Data

Notes

Notes on operation	The electrical and mechanical data specified assume that the connector pair is correctly locked and mounted. If the connector is unlocked and if there is a danger of contamination, the connector must be sealed using a protective cap > IP54. Influences arising from litz wires, cables or PCB assembly must also be taken into consideration.
--------------------	----------------------------------------------------------------------------------------------------------------------------------------------------------------------------------------------------------------------------------------------------------------------------------------------------------------------------------------------------

Product properties

Product type	Circular connectors (device side)
Number of positions	4
No. of cable outlets	1
Shielded	no
Coding	L - Power

Insulation characteristics

Overvoltage category	III
Degree of pollution	3

Ambient conditions

Degree of protection	IP67
Degree of protection	IP65/IP67
Ambient temperature (operation)	-25 °C ... 85 °C (Plug / socket) -40 °C ... 85 °C (without mechanical actuation) -25 °C ... 105 °C (Cable, flexible installation) -40 °C ... 105 °C (cable, fixed installation)

Connector

Header 1

Head design	Plug
Head thread type	M12
Coding	L - Power

Electrical properties

Rated surge voltage	1.5 kV
Rated surge voltage	1.5 kV AC/DC
Nominal voltage U_N	63 V DC
Nominal current I_N	16 A
Test voltage	1.5 kV

Material specifications

Material	PU 2K (Grout material)
----------	------------------------

Device connector, rear mounting - SACC-DSI-M12MSL-4CON-M16XL/0,2



1425588

<https://www.phoenixcontact.com/au/products/1425588>

Flammability rating according to UL 94	V0
Sealing material	FKM
Contact material	CuZn
Contact surface material	Au
Contact carrier material	PA
Cable gland material	Zinc die-cast, nickel-plated

Connection data

Conductor connection

Connection method	Individual wires
-------------------	------------------

Mounting

Mounting type	Rear mounting M16 x 1.5 Tightening limitation
Assembly instructions	Tightening limitation

Standards and regulations

Flame resistance	in acc. with UL FT-2
------------------	----------------------

M12

Standards/specifications	IEC 61076-2-111
--------------------------	-----------------

Cable / line

Cable length	0.2 m
--------------	-------

Cable structure

Cable type	PEX litz wire
Signal type/category	Power
Conductor material	Tin-plated Cu litz wires
AWG signal line	14
Material wire insulation	PE-X
Single wire, color	Brown 1, white 2, blue 3, black 4

Ambient conditions

Halogen-free	according to IEC 60754-1
Flame resistance	in acc. with UL FT-2
Ambient temperature (operation)	-25 °C ... 105 °C (Cable, flexible installation)
	-40 °C ... 85 °C (without mechanical actuation)
	-40 °C ... 85 °C (without mechanical actuation)

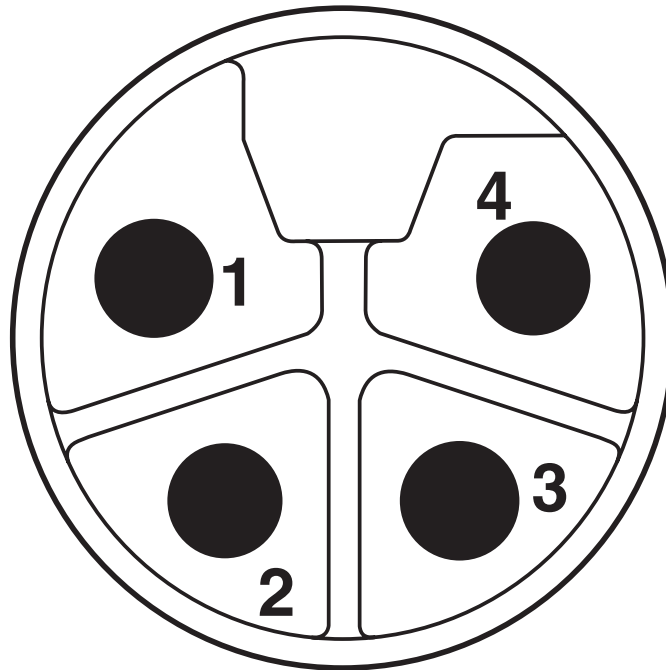
Device connector, rear mounting - SACC-DSI-M12MSL-4CON-M16XL/0,2

1425588

<https://www.phoenixcontact.com/au/products/1425588>

Drawings

Schematic diagram



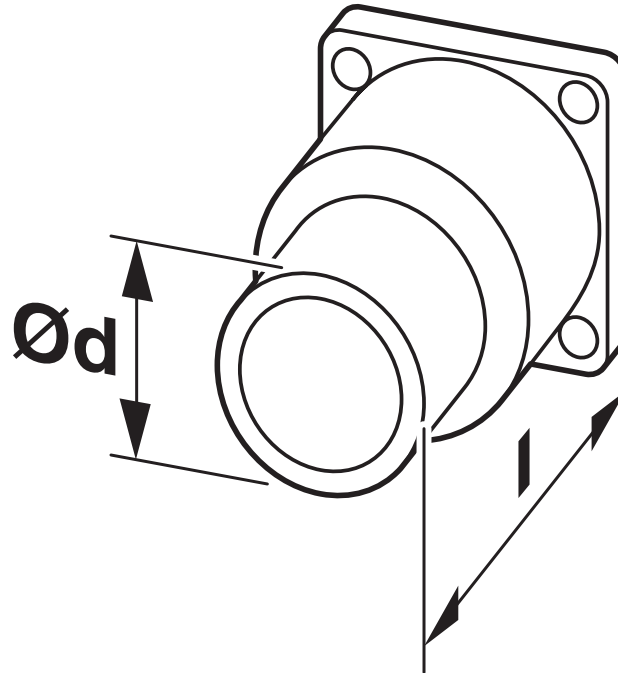
Pin assignment of M12 connector, 4-pos., L-coded, pin side view

Device connector, rear mounting - SACC-DSI-M12MSL-4CON-M16XL/0,2

1425588

<https://www.phoenixcontact.com/au/products/1425588>

Dimensional drawing



Technical drawings can be found under Downloads

Device connector, rear mounting - SACC-DSI-M12MSL-4CON-M16XL/0,2



1425588

<https://www.phoenixcontact.com/au/products/1425588>

Approvals



EAC

Approval ID: B.01687



cULus Recognized

Approval ID: E468743-20180113

	Nominal Voltage U_N	Nominal Current I_N	Cross Section AWG	Cross Section mm^2
	63 V	16 A	- 14	-

Device connector, rear mounting - SACC-DSI-M12MSL-4CON-M16XL/0,2



1425588

<https://www.phoenixcontact.com/au/products/1425588>

Classifications

ECLASS

ECLASS-9.0	27440102
ECLASS-10.0.1	27440102
ECLASS-11.0	27440102

ETIM

ETIM 8.0	EC002635
----------	----------

UNSPSC

UNSPSC 21.0	39121400
-------------	----------

Device connector, rear mounting - SACC-DSI-M12MSL-4CON-M16XL/0,2



1425588

<https://www.phoenixcontact.com/au/products/1425588>

Environmental Product Compliance

REACH SVHC	Lead 7439-92-1
China RoHS	Environmentally Friendly Use Period = 50 years
	For information on hazardous substances, refer to the manufacturer's declaration available under "Downloads"

Device connector, rear mounting - SACC-DSI-M12MSL-4CON-M16XL/0,2

1425588

<https://www.phoenixcontact.com/au/products/1425588>

Accessories

Sealing cap

Sealing cap - PROT-M12 FS - 1560251

<https://www.phoenixcontact.com/au/products/1560251>



M12 sealing cap for unoccupied M12 plugs of the sensor/actuator cable, flush-type plugs and I/O devices in the field

Sealing cap

Sealing cap - PROT-M12 FS-M - 1430488

<https://www.phoenixcontact.com/au/products/1430488>



M12 metal sealing cap for unoccupied M12 plugs of the sensor/actuator cable, flush-type plugs and I/O devices in the field

Phoenix Contact 2022 © - all rights reserved
<https://www.phoenixcontact.com>

PHOENIX CONTACT PTY Ltd
Unit 7, 2-8 South Street
Rydalmere NSW 2116
1300 786 411
customerservice@phoenixcontact.com.au