

# Device connector, rear mounting - SACC-DSI-M12FSL4FE-M16XL/0,2GR



1425585

<https://www.phoenixcontact.com/au/products/1425585>

Please be informed that the data shown in this PDF document is generated from our Online Catalog. Please find the complete data in the user documentation. Our General Terms of Use for Downloads are valid.



Device connector, rear mounting, Power, 5-position, Socket, M12, L - Power, Rear mounting, M16 x 1.5, Individual wires, cable length: 0.2 m, 2.50 mm<sup>2</sup>, PEX litz wire

## Your advantages

- For compact devices: transmit high power in a confined space
- Easy-to-install, optimized XL housing contour with wrench size 19
- Mechanical tightening limitation for long-term-stable gasket
- Pre-assembled with litz wires for immediate use
- Customer-specific assemblies and litz wire lengths available
- Sealed on the litz wire side for optimum leak-tightness
- For high transmission safety: shield connection to the housing with optional EMC nut

# Device connector, rear mounting - SACC-DSI-M12FSL4FE-M16XL/0,2GR



1425585

<https://www.phoenixcontact.com/au/products/1425585>

## Commercial Data

Item number	1425585
Packing unit	1 pc
Minimum order quantity	1 pc
Sales Key	ABQEAB
Product Key	ABQEAB
Catalog Page	Page 286 (C-2-2019)
GTIN	4055626424347
Weight per Piece (including packing)	52.8 g
Weight per Piece (excluding packing)	51.6 g
Customs tariff number	85444290
Country of origin	DE

# Device connector, rear mounting - SACC-DSI-M12FSL4FE-M16XL/0,2GR



1425585

<https://www.phoenixcontact.com/au/products/1425585>

## Technical Data

### Notes

Notes on operation	The electrical and mechanical data specified assume that the connector pair is correctly locked and mounted. If the connector is unlocked and if there is a danger of contamination, the connector must be sealed using a protective cap > IP54. Influences arising from litz wires, cables or PCB assembly must also be taken into consideration.
Notes on operation	FE not connected to metal parts that can be touched, no protective function

### Product properties

Product type	Circular connectors (device side)
Number of positions	5
No. of cable outlets	1
Shielded	no
Coding	L - Power

### Insulation characteristics

Overvoltage category	III
Degree of pollution	3

### Ambient conditions

Degree of protection	IP67
Degree of protection	IP65/IP67
Ambient temperature (operation)	-25 °C ... 85 °C (Plug / socket)
	-40 °C ... 85 °C (without mechanical actuation)
	-25 °C ... 105 °C (Cable, flexible installation)
	-40 °C ... 105 °C (cable, fixed installation)

### Connector

Insertion/withdrawal cycles	> 100
-----------------------------	-------

### Header 1

Head design	Socket
Head thread type	M12
Coding	L - Power

### Electrical properties

Rated surge voltage	1.5 kV
Rated surge voltage	1.5 kV AC/DC
Nominal voltage $U_N$	63 V DC
Nominal current $I_N$	16 A
Test voltage	1.5 kV

# Device connector, rear mounting - SACC-DSI-M12FSL4FE-M16XL/0,2GR



1425585

<https://www.phoenixcontact.com/au/products/1425585>

## Material specifications

Material	PU 2K (Grout material)
Flammability rating according to UL 94	V0
Sealing material	FKM
Contact material	CuZn
Contact surface material	Au
Contact carrier material	PA
Cable gland material	Zinc die-cast, nickel-plated

## Connection data

### Conductor connection

Connection method	Individual wires
-------------------	------------------

## Mounting

Mounting type	Rear mounting M16 x 1.5 Tightening limitation
Assembly instructions	Tightening limitation

## Standards and regulations

Flame resistance	in acc. with UL FT-2
------------------	----------------------

### M12

Standards/specifications	IEC 61076-2-111
--------------------------	-----------------

## Cable / line

Cable length	0.2 m
--------------	-------

### Cable structure

Cable type	PEX litz wire
Signal type/category	Power
Conductor material	Tin-plated Cu litz wires
AWG signal line	14
Single wire, color	brown 1, white 2, blue 3, black 4, pink FE

### Ambient conditions

Halogen-free	according to IEC 60754-1
Flame resistance	in acc. with UL FT-2
Ambient temperature (operation)	-25 °C ... 105 °C (Cable, flexible installation) -40 °C ... 105 °C (cable, fixed installation)

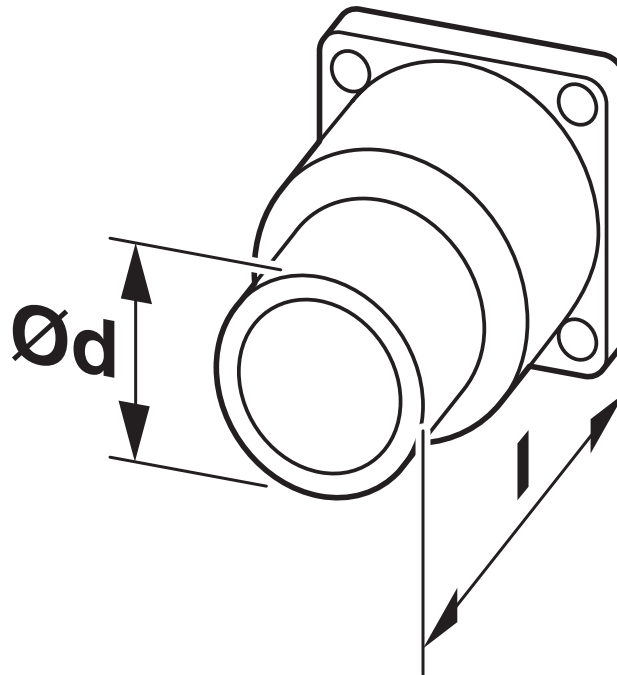
# Device connector, rear mounting - SACC-DSI-M12FSL4FE-M16XL/0,2GR

1425585

<https://www.phoenixcontact.com/au/products/1425585>

## Drawings

Dimensional drawing



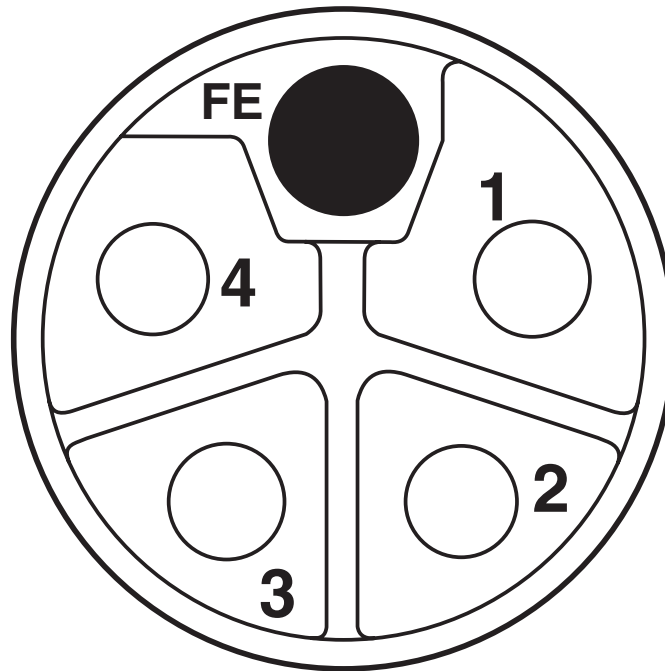
Technical drawings can be found under Downloads

# Device connector, rear mounting - SACC-DSI-M12FSL4FE-M16XL/0,2GR

1425585

<https://www.phoenixcontact.com/au/products/1425585>

Schematic diagram



Pin assignment of M12 socket, 5-pos., L-coded, socket side view

# Device connector, rear mounting - SACC-DSI-M12FSL4FE-M16XL/0,2GR



1425585

<https://www.phoenixcontact.com/au/products/1425585>

## Approvals



**EAC**

Approval ID: B.01687



**cULus Recognized**

Approval ID: E468743-20180113

	Nominal Voltage $U_N$	Nominal Current $I_N$	Cross Section AWG	Cross Section $\text{mm}^2$
	63 V	16 A	- 14	-

# Device connector, rear mounting - SACC-DSI-M12FSL4FE-M16XL/0,2GR



1425585

<https://www.phoenixcontact.com/au/products/1425585>

## Classifications

### ECLASS

ECLASS-9.0	27440102
ECLASS-10.0.1	27440102
ECLASS-11.0	27440102

### ETIM

ETIM 8.0	EC002635
----------	----------

### UNSPSC

UNSPSC 21.0	39121400
-------------	----------

# Device connector, rear mounting - SACC-DSI-M12FSL4FE-M16XL/0,2GR



1425585

<https://www.phoenixcontact.com/au/products/1425585>

## Environmental Product Compliance

REACH SVHC	Lead 7439-92-1
China RoHS	Environmentally Friendly Use Period = 50 years
	For information on hazardous substances, refer to the manufacturer's declaration available under "Downloads"

# Device connector, rear mounting - SACC-DSI-M12FSL4FE-M16XL/0,2GR



1425585

<https://www.phoenixcontact.com/au/products/1425585>

## Accessories

### Screw plug

Screw plug - PROT M12 MS PWR - 1092802

<https://www.phoenixcontact.com/au/products/1092802>



An M12 screw plug for the unoccupied M12 females of the M12 POWER connectors, boxes, and flush-type connectors

---

Phoenix Contact 2022 © - all rights reserved  
<https://www.phoenixcontact.com>

PHOENIX CONTACT PTY Ltd  
Unit 7, 2-8 South Street  
Rydalmere NSW 2116  
1300 786 411  
[customerservice@phoenixcontact.com.au](mailto:customerservice@phoenixcontact.com.au)