

# Device connector, rear mounting - SACC-DSI-M12MSL4FE-M16XL/0,2GR

1425584

<https://www.phoenixcontact.com/au/products/1425584>

Please be informed that the data shown in this PDF document is generated from our Online Catalog. Please find the complete data in the user documentation. Our General Terms of Use for Downloads are valid.



Device connector, rear mounting, Power, 5-position, Plug, M12, L - Power, Rear mounting, M16 x 1.5, Individual wires, cable length: 0.2 m, 2.50 mm<sup>2</sup>, TPE litz wire

## Your advantages

- Pre-assembled with litz wires for immediate use
- Customer-specific assemblies and litz wire lengths available
- Sealed on the litz wire side for optimum leak-tightness
- All standard pin assignments and codings for signal, data, and power transmission with a uniform design-in design
- For high transmission safety: shield connection to the housing with optional EMC nut
- SPEEDCON fast locking system reduces cabling times

# Device connector, rear mounting - SACC-DSI-M12MSL4FE-M16XL/0,2GR



1425584

<https://www.phoenixcontact.com/au/products/1425584>

## Commercial Data

|                                      |                     |
|--------------------------------------|---------------------|
| Item number                          | 1425584             |
| Packing unit                         | 1 pc                |
| Minimum order quantity               | 1 pc                |
| Sales Key                            | ABQEAA              |
| Product Key                          | ABQEAA              |
| Catalog Page                         | Page 286 (C-2-2019) |
| GTIN                                 | 4055626424330       |
| Weight per Piece (including packing) | 53.2 g              |
| Weight per Piece (excluding packing) | 23.11 g             |
| Customs tariff number                | 85444290            |
| Country of origin                    | DE                  |

# Device connector, rear mounting - SACC-DSI-M12MSL4FE-M16XL/0,2GR



1425584

<https://www.phoenixcontact.com/au/products/1425584>

## Technical Data

### Product properties

|                      |                                   |
|----------------------|-----------------------------------|
| Product type         | Circular connectors (device side) |
| Number of positions  | 5                                 |
| No. of cable outlets | 1                                 |
| Shielded             | no                                |
| Coding               | B - inverse                       |

### Insulation characteristics

|                      |    |
|----------------------|----|
| Overvoltage category | II |
| Degree of pollution  | 3  |

### Ambient conditions

|                                 |  |
|---------------------------------|--|
| Degree of protection            | IP67   |
| Ambient temperature (operation) | -25 °C ... 85 °C (Plug / socket)                 |
|                                 | -40 °C ... 85 °C (without mechanical actuation)  |
|                                 | -25 °C ... 105 °C (Cable, flexible installation) |
|                                 | -40 °C ... 105 °C (cable, fixed installation)    |

### Connector

|                             |       |
|-----------------------------|-------|
| Insertion/withdrawal cycles | > 100 |
|-----------------------------|-------|

### Header 1

|                  |           |
|------------------|-----------|
| Head design      | Plug      |
| Head thread type | M12       |
| Coding           | L - Power |

### Electrical properties

|  |              |
|--|--------------|
| Rated voltage in acc. with IEC 61076-2-101 | 63 V         |
| Rated surge voltage                        | 1.5 kV       |
| Rated surge voltage                        | 1.5 kV AC/DC |
| Nominal voltage $U_N$                      | 63 V DC      |
| Nominal current $I_N$                      | 16 A         |
| Test voltage                               | 1.5 kV       |

### Material specifications

|  |                              |
|--|------------------------------|
| Color                                  | gray                         |
| Material                               | PU 2K (Grout material)       |
| Flammability rating according to UL 94 | V0                           |
| Sealing material                       | FKM                          |
| Material of grip body                  | Zinc die-cast, nickel-plated |
| Contact material                       | CuZn                         |

# Device connector, rear mounting - SACC-DSI-M12MSL4FE-M16XL/0,2GR



1425584

<https://www.phoenixcontact.com/au/products/1425584>

|                          |                              |
|--------------------------|------------------------------|
| Contact surface material | Ni/Au                        |
| Contact carrier material | PA 6.6                       |
| Cable gland material     | Zinc die-cast, nickel-plated |

## Connection data

### Conductor connection

|                   |                  |
|-------------------|------------------|
| Connection method | Individual wires |
|-------------------|------------------|

## Mounting

|                       |   |
|-----------------------|---|
| Mounting type         | Rear mounting M16 x 1.5 Tightening limitation |
| Assembly instructions | Tightening limitation                         |

## Standards and regulations

|                  |                      |
|------------------|----------------------|
| Flame resistance | in acc. with UL FT-2 |
|------------------|----------------------|

### M12

|                          |                 |
|--------------------------|-----------------|
| Standards/specifications | IEC 61076-2-101 |
|--------------------------|-----------------|

## Cable / line

|              |       |
|--------------|-------|
| Cable length | 0.2 m |
|--------------|-------|

### Cable structure

|                      |  |
|----------------------|--|
| Cable type           | TPE litz wire                              |
| Signal type/category | Power                                      |
| Conductor material   | Tin-plated Cu litz wires                   |
| AWG signal line      | 14   |
| Single wire, color   | brown 1, white 2, blue 3, black 4, pink FE |

### Electrical properties

|                        |      |
|------------------------|------|
| Test voltage Core/Core | 6 kV |
|------------------------|------|

### Ambient conditions

|                                 |  |
|---------------------------------|--|
| Halogen-free                    | according to IEC 60754-1                         |
| Flame resistance                | in acc. with UL FT-2                             |
| Ambient temperature (operation) | -25 °C ... 105 °C (Cable, flexible installation) |
|                                 | -40 °C ... 105 °C (cable, fixed installation)    |

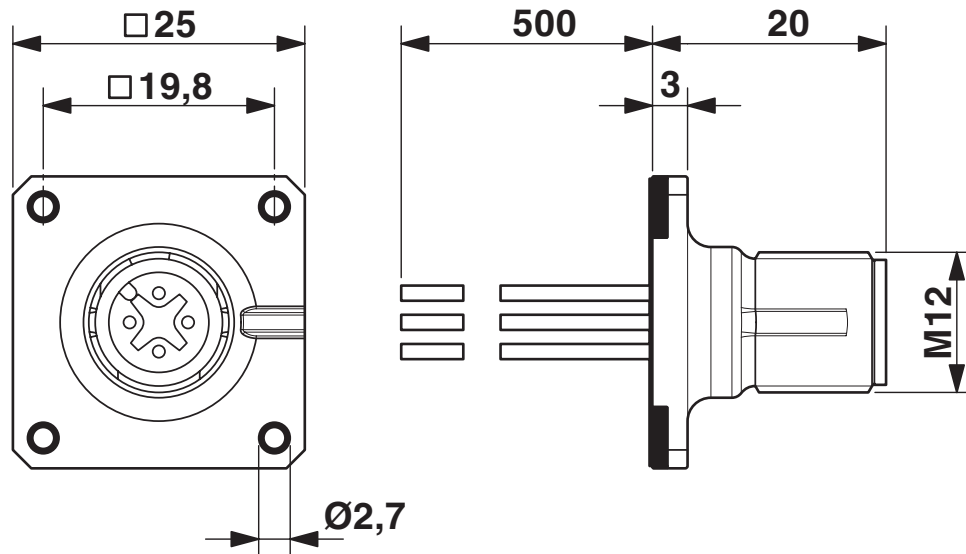
# Device connector, rear mounting - SACC-DSI-M12MSL4FE-M16XL/0,2GR

1425584

<https://www.phoenixcontact.com/au/products/1425584>

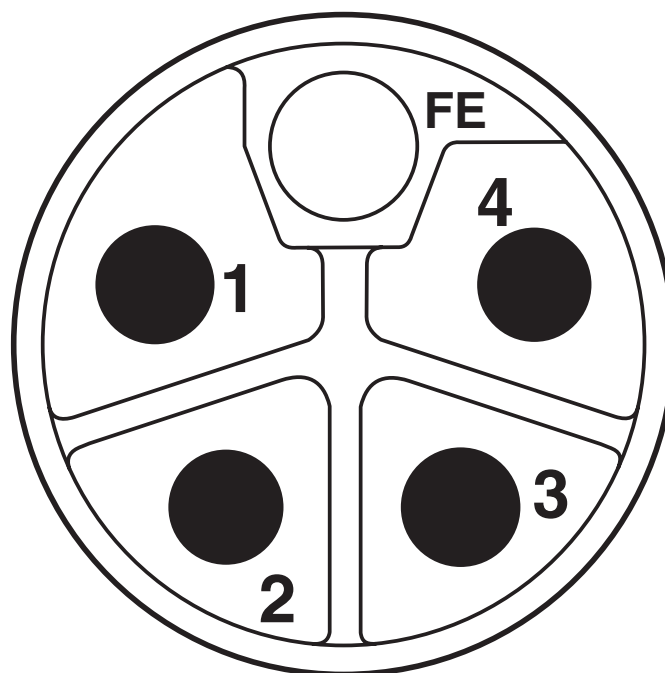
## Drawings

Dimensional drawing



M12 flush-type plug

Schematic diagram



Pin assignment of M12 connector, 5-pos., L-coded, pin side view

# Device connector, rear mounting - SACC-DSI-M12MSL4FE-M16XL/0,2GR



1425584

<https://www.phoenixcontact.com/au/products/1425584>

## Approvals



**EAC**

Approval ID: B.01687



**cULus Recognized**

Approval ID: E468743-20180113

|  | Nominal Voltage $U_N$ | Nominal Current $I_N$ | Cross Section AWG | Cross Section $\text{mm}^2$ |
|--|-----------------------|-----------------------|-------------------|-----------------------------|
|  | 63 V                  | 16 A                  | - 14              | -                           |

# Device connector, rear mounting - SACC-DSI-M12MSL4FE-M16XL/0,2GR



1425584

<https://www.phoenixcontact.com/au/products/1425584>

## Classifications

### ECLASS

|               |          |
|---------------|----------|
| ECLASS-9.0    | 27440102 |
| ECLASS-10.0.1 | 27440102 |
| ECLASS-11.0   | 27440102 |

### ETIM

|          |          |
|----------|----------|
| ETIM 8.0 | EC002635 |
|----------|----------|

### UNSPSC

|             |          |
|-------------|----------|
| UNSPSC 21.0 | 39121400 |
|-------------|----------|

# Device connector, rear mounting - SACC-DSI-M12MSL4FE-M16XL/0,2GR



1425584

<https://www.phoenixcontact.com/au/products/1425584>

## Environmental Product Compliance

|            |  |
|------------|--|
| REACH SVHC | Lead 7439-92-1   |
| China RoHS | Environmentally Friendly Use Period = 50 years<br>For information on hazardous substances, refer to the manufacturer's declaration available under "Downloads" |

Phoenix Contact 2022 © - all rights reserved  
<https://www.phoenixcontact.com>

PHOENIX CONTACT PTY Ltd  
Unit 7, 2-8 South Street  
Rydalmere NSW 2116  
1300 786 411  
[customerservice@phoenixcontact.com.au](mailto:customerservice@phoenixcontact.com.au)