

# Power cable - SAC-4P-10,0-105/M12FRL



1425040

<https://www.phoenixcontact.com/pc/products/1425040>

Please be informed that the data shown in this PDF document is generated from our Online Catalog. Please find the complete data in the user documentation. Our General Terms of Use for Downloads are valid.



Power cable, 4-position, PUR halogen-free, black-gray RAL 7021, Socket angled M12, coding: L, on free cable end, cable length: 10 m, For direct current up to 12 A/63 V

## Your advantages

- Easy and safe: 100% electrically tested plug-in components
- Protection against mismatching, thanks to special L-coding
- Our standard: robust halogen-free PUR cable

## Commercial Data

Item number	1425040
Packing unit	1 pc
Minimum order quantity	1 pc
Product Key	BF1CCR
Catalog Page	Page 296 (C-2-2019)
GTIN	4055626383781
Weight per Piece (including packing)	1,063 g
Weight per Piece (excluding packing)	1,030 g
Customs tariff number	85444290
Country of origin	PL

1425040

<https://www.phoenixcontact.com/pc/products/1425040>

## Technical Data

### Product properties

Product type	Power cable
Number of positions	4
Application	Power supply
No. of cable outlets	1
Shielded	no
Coding	L - Power

### Insulation characteristics

Overvoltage category	III
Degree of pollution	3

### Material specifications

Color Handle area	black
Flammability rating according to UL 94	V0
Material of grip body	PP
Contact material	CuZn
Contact surface material	Ni/Au
Contact carrier material	PA
Material for screw connection	Zinc die-cast, nickel-plated

### Electrical properties

Contact resistance	$\leq 5 \text{ m}\Omega$
Insulation resistance	$\geq 100 \text{ M}\Omega$
Nominal voltage $U_N$	63 V DC
Nominal current $I_N$	12 A
Protective circuit	unwired

### Mechanical properties

#### Mechanical data

Insertion/withdrawal cycles	$\geq 100$
-----------------------------	------------

### Connector

#### Connection 1

Head design	Socket
Head cable outlet	angled
Head thread type	M12
Coding	L

#### Connection 2

Head design	free cable end
-------------	----------------

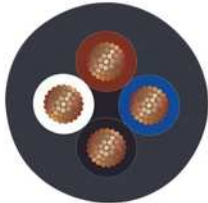
# Power cable - SAC-4P-10,0-105/M12FRL



1425040

<https://www.phoenixcontact.com/pc/products/1425040>

## Cable / line

Cable length	10 m
PUR halogen-free black [PUR]	
Dimensional drawing	
Cable weight	109 kg/km
UL AWM Style	20233 / 10493 (80°C/300 V)
Number of positions	4
Shielded	no
Cable type	PUR halogen-free black [PUR]
Conductor cross section	4x 1.5 mm <sup>2</sup>
Wire diameter incl. insulation	2.35 mm ±0.05 mm
External cable diameter	8.4 mm ±0.25 mm
Outer sheath, material	PUR
External sheath, color	black-gray RAL 7021
Conductor material	Bare Cu litz wires
Material wire insulation	PP
Single wire, color	brown, white, blue, black
Thickness, insulation	≥ 0.25 mm
Thickness, outer sheath	approx. 1.3 mm
Overall twist	4 wires, twisted
Length of twist, overall twist	90 mm
Max. conductor resistance	≤ 13 Ω/km (at 20 °C)
Insulation resistance	≥ 1 GΩ*km (at 20 °C)
Nominal voltage, cable	≤ 300 V AC
Test voltage	≥ 3000 V AC (Spark test)
Minimum bending radius, fixed installation	5 x D
Minimum bending radius, flexible installation	10 x D
Max. bending cycles	4000000
Halogen-free	in accordance with DIN VDE 0472 part 815 in accordance with DIN EN 50267-2-1
Flame resistance	According to UL 758/1581 (Cable Flame) according to UL 758/1581 FT1 According to DIN EN 60332-1-2
Resistance to oil	According to DIN EN 60811-2-1, 168 h at 100°C According to UL 758, 168 h at 60°C

# Power cable - SAC-4P-10,0-105/M12FRL



1425040

<https://www.phoenixcontact.com/pc/products/1425040>

Other resistance	Hydrolysis and microbe resistant as per VDE 0282 section 10
	Low adhesion
	abrasion-resistant
	Resistant to salt water
Ambient temperature (operation)	-50 °C ... 80 °C (cable, fixed installation)
	-30 °C ... 80 °C (Cable, flexible installation)

## Ambient conditions

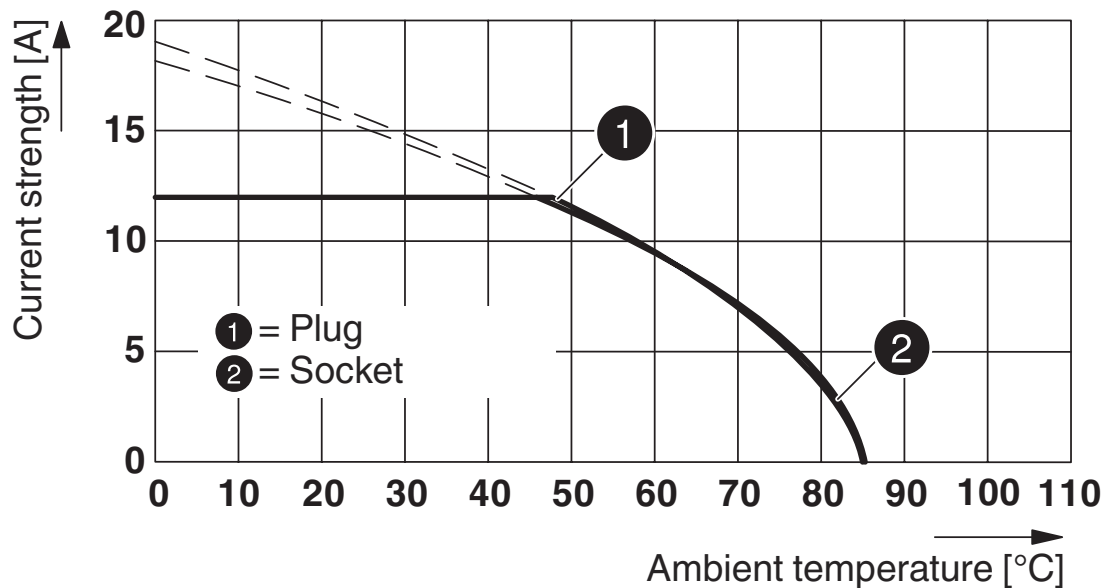
Degree of protection	IP65
	IP67
Ambient temperature (operation)	-25 °C ... 85 °C (Plug / socket)

## Standards and regulations

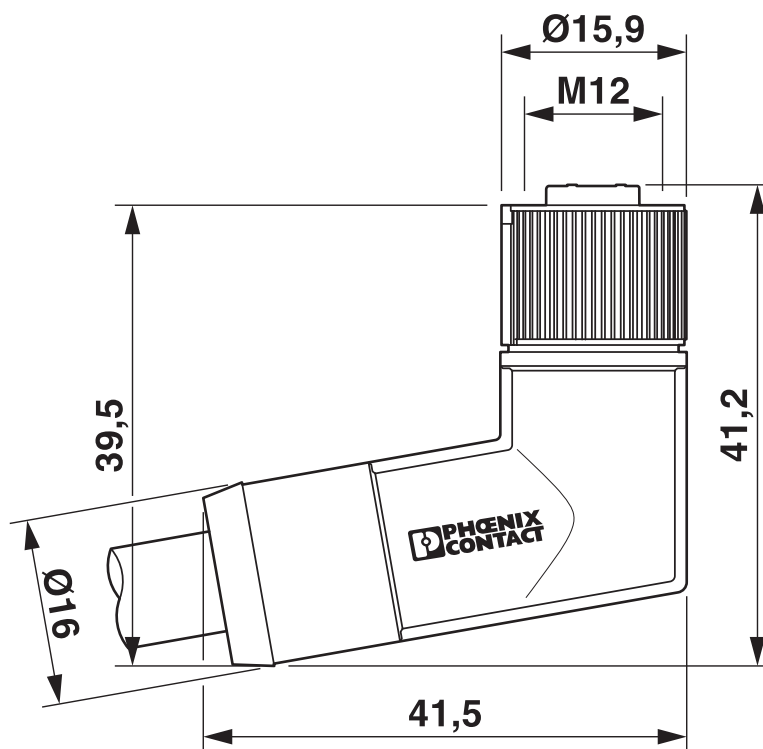
Standards/specifications	IEC 61076-2-111
--------------------------	-----------------

## Drawings

Diagram



Dimensional drawing



M12 x 1 socket, angled

1425040

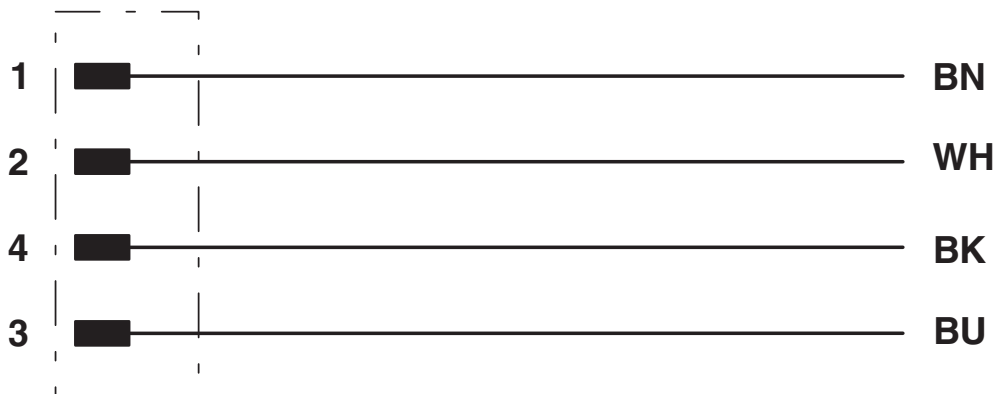
<https://www.phoenixcontact.com/pc/products/1425040>

Schematic diagram



Pin assignment of M12 socket, 4-pos.

Circuit diagram



# Power cable - SAC-4P-10,0-105/M12FRL



1425040

<https://www.phoenixcontact.com/pc/products/1425040>

## Approvals



**EAC**

Approval ID: RU C-DE.BL08.B.00286



**UL Listed**

Approval ID: E468743



**cUL Listed**

Approval ID: E468743



**EAC**

Approval ID: RU D-DE.HB35.B.00387

**cULus Listed**

# Power cable - SAC-4P-10,0-105/M12FRL



1425040

<https://www.phoenixcontact.com/pc/products/1425040>

## Classifications

### ECLASS

ECLASS-9.0	27060311
ECLASS-10.0.1	27060311
ECLASS-11.0	27060311

### ETIM

ETIM 8.0	EC001855
----------	----------

### UNSPSC

UNSPSC 21.0	26121600
-------------	----------

# Power cable - SAC-4P-10,0-105/M12FRL



1425040

<https://www.phoenixcontact.com/pc/products/1425040>

## Environmental Product Compliance

China RoHS	Environmentally friendly use period: unlimited = EFUP-e
	No hazardous substances above threshold values

# Power cable - SAC-4P-10,0-105/M12FRL



1425040

<https://www.phoenixcontact.com/pc/products/1425040>

## Accessories

### Tool

Tool - SAC BIT M12-D16 - 1200305

<https://www.phoenixcontact.com/pc/products/1200305>

Nut for assembling sensor/actuator cables with M12 connector and M12 connectors for assembly, knurl diameter: 16 mm, for 4 mm hexagonal drive



---

### Screw plug

Screw plug - PROT M12 MS PWR - 1092802

<https://www.phoenixcontact.com/pc/products/1092802>

An M12 screw plug for the unoccupied M12 females of the M12 POWER connectors, boxes, and flush-type connectors



---

Phoenix Contact 2022 © - all rights reserved

<https://www.phoenixcontact.com>

PHOENIX CONTACT GmbH & Co. KG

Flachsmarktstraße 8

D-32825 Blomberg

+49 (0) 5235-3 00

[info@phoenixcontact.com](mailto:info@phoenixcontact.com)