

T distributor - SAC-5PT-F/F-M VP



1424712

<https://www.phoenixcontact.com/us/products/1424712>

Please be informed that the data shown in this PDF document is generated from our Online Catalog. Please find the complete data in the user documentation. Our General Terms of Use for Downloads are valid.



T distributor, CANopen[®], DeviceNet[™], 5-position, unshielded, Socket straight M12, coding: A - standard, on Socket straight M12, coding: A - standard and Plug straight M12, coding: A - standard, Parallel distributor

Your advantages

- Safe use in the field, thanks to a high degree of protection

Commercial Data

Item number	1424712
Packing unit	1 pc
Minimum order quantity	1 pc
Sales Key	B06
Product Key	BF1GAA
Catalog Page	Page 253 (C-2-2019)
GTIN	4055626376752
Weight per Piece (including packing)	32.48 g
Weight per Piece (excluding packing)	32.48 g
Customs tariff number	85366990
Country of origin	DE

T distributor - SAC-5PT-F/F-M VP

1424712

<https://www.phoenixcontact.com/us/products/1424712>

Technical Data

Product properties

Product type	T-distributor
Number of positions	5
No. of cable outlets	2
Shielded	no
Coding	A - standard
Thread type	M12

Insulation characteristics

Overvoltage category	II
Degree of pollution	3

Electrical properties

Nominal voltage U_N	48 V AC
	60 V DC
Nominal current I_N	4 A
Transmission medium	Copper

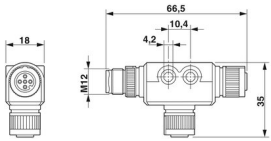
Interfaces

Signal type/category	CANopen [®]
	DeviceNet [™]

LED signaling

Status display	No
Status display present	No

Dimensions

Dimensional drawing	
Height	18 mm
Length	66.5 mm

Material specifications

Color Handle area	black
Material	PBT (Female connector contact carrier)
	PA (Pin contact carrier)
Flammability rating according to UL 94	V0
Sealing material	NBR
Material of grip body	PBT

T distributor - SAC-5PT-F/F-M VP



1424712

<https://www.phoenixcontact.com/us/products/1424712>

Contact material	CuZn (pin) / CuSn (socket)
Contact surface material	Ni/Au
Material for screw connection	Zinc die-cast, nickel-plated

Connector

Connection 1

Head design	Socket
Head cable outlet	straight
Head thread type	M12
Coding	A - standard

Connection 2

Head design	Socket
Head cable outlet	straight
Head thread type	M12
Coding	A - standard

Cable / line

Signal type/category	CANopen [®]
	DeviceNet [™]

Mechanical properties

Mechanical data

Insertion/withdrawal cycles	≥ 100
-----------------------------	-------

Environmental and real-life conditions

Ambient conditions

Degree of protection	IP65
Ambient temperature (operation)	-25 °C ... 85 °C (Plug / socket)

Standards and regulations

Standards/specifications	according to IEC 61076-2-101
--------------------------	------------------------------

T distributor - SAC-5PT-F/F-M VP

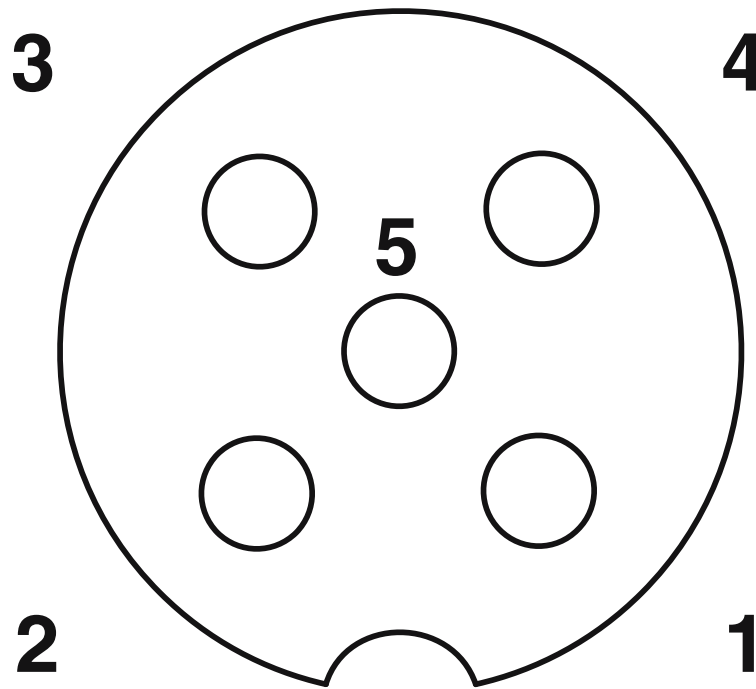
1424712

<https://www.phoenixcontact.com/us/products/1424712>



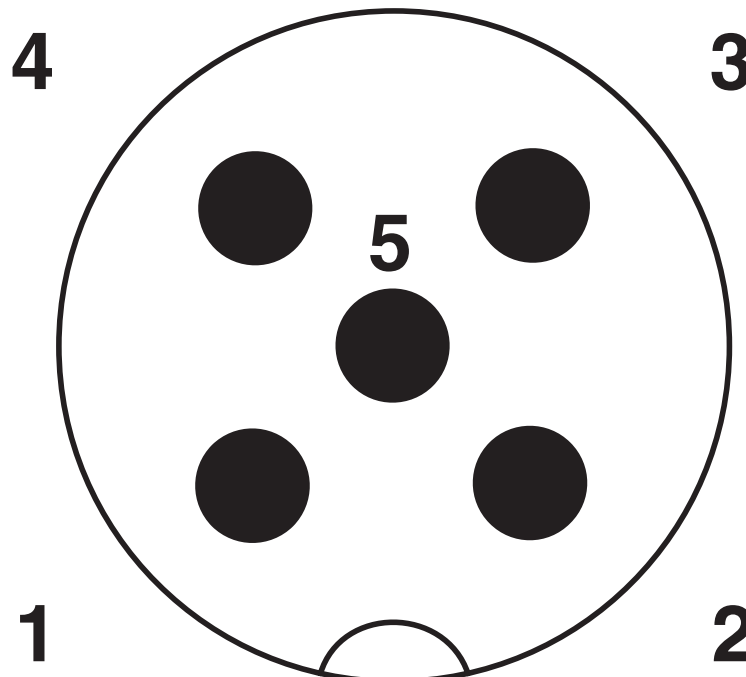
Drawings

Schematic diagram



Pin assignment M12 socket, 5-pos., A-coded, socket side view

Schematic diagram



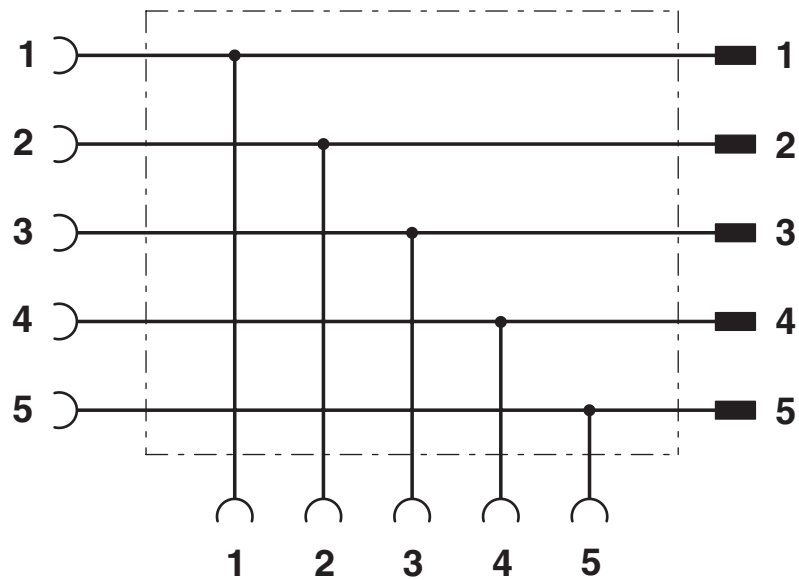
Pin assignment M12 male connector, 5-pos., A-coded, male side

T distributor - SAC-5PT-F/F-M VP

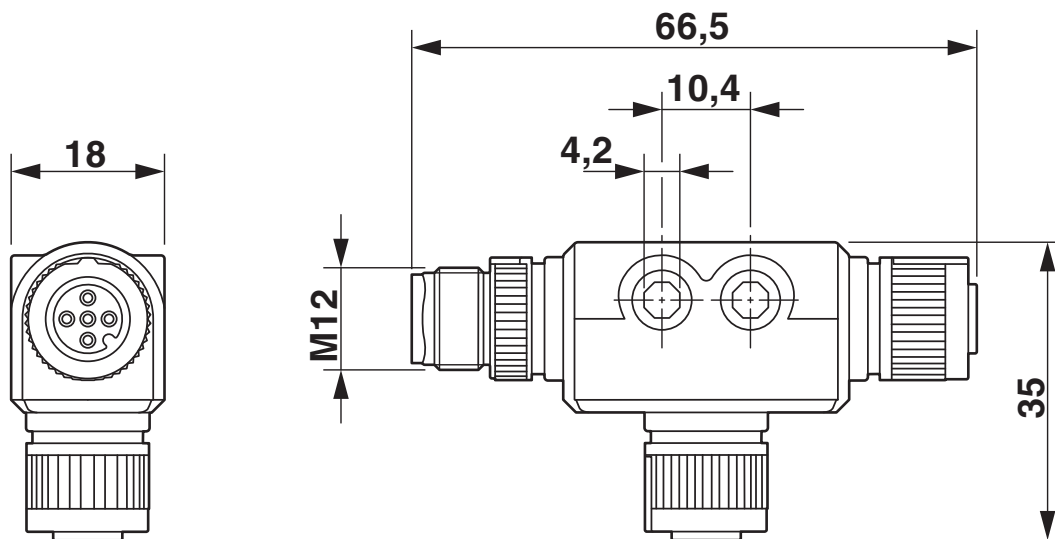
1424712

<https://www.phoenixcontact.com/us/products/1424712>

Circuit diagram



Dimensional drawing



M12 T distributor

T distributor - SAC-5PT-F/F-M VP



1424712

<https://www.phoenixcontact.com/us/products/1424712>

Classifications

ECLASS

ECLASS-9.0	27440106
ECLASS-10.0.1	27440106
ECLASS-11.0	27440106
ECLASS-12.0	27440106

ETIM

ETIM 8.0	EC002925
----------	----------

UNSPSC

UNSPSC 21.0	31251500
-------------	----------

T distributor - SAC-5PT-F/F-M VP



1424712

<https://www.phoenixcontact.com/us/products/1424712>

Environmental Product Compliance

China RoHS	Environmentally friendly use period: unlimited = EFUP-e No hazardous substances above threshold values
------------	---

T distributor - SAC-5PT-F/F-M VP

1424712

<https://www.phoenixcontact.com/us/products/1424712>



Accessories

Torque screwdriver

Torque screwdriver - TSD 04 SAC - 1208429

<https://www.phoenixcontact.com/us/products/1208429>



Torque screwdriver, with preset torque of 0.4 Nm and 4 mm hexagonal drive for M12 connectors

Tool

Tool - SAC BIT M12-D15 - 1208432

<https://www.phoenixcontact.com/us/products/1208432>



Nut for assembling sensor/actuator cables with M12 connector and M12 connectors for assembly, with a knurl diameter of 15 mm, for 4 mm hexagonal drive

T distributor - SAC-5PT-F/F-M VP

1424712

<https://www.phoenixcontact.com/us/products/1424712>

Screw plug

Screw plug - PROT-M12 - 1680539

<https://www.phoenixcontact.com/us/products/1680539>



An M12 screw plug for the unoccupied M12 sockets of the sensor/actuator cable, boxes and flush-type connectors

Sealing cap

Sealing cap - PROT-M12 FS - 1560251

<https://www.phoenixcontact.com/us/products/1560251>



M12 sealing cap for unoccupied M12 plugs of the sensor/actuator cable, flush-type plugs and I/O devices in the field

T distributor - SAC-5PT-F/F-M VP



1424712

<https://www.phoenixcontact.com/us/products/1424712>

Screw plug

Screw plug - PROT-M12 MS-PA-CHAIN - 1430899

<https://www.phoenixcontact.com/us/products/1430899>

M12 sealing cap with fixing band, for sensor cables, for free M12 sockets



Sealing cap

Sealing cap - PROT-M12 FS-PA-CHAIN - 1430873

<https://www.phoenixcontact.com/us/products/1430873>

M12 sealing cap made of plastic with fixing band, for sensor cables, for free M12 plugs



Phoenix Contact 2022 © - all rights reserved
<https://www.phoenixcontact.com>

Phoenix Contact USA
586 Fulling Mill Road
Middletown, PA 17057, United States
(+717) 944-1300
info@phoenixcon.com