

Cable gland - G-INS-M32-M68N-SNES-S



1424545

<https://www.phoenixcontact.com/pc/products/1424545>

Please be informed that the data shown in this PDF document is generated from our Online Catalog. Please find the complete data in the user documentation. Our General Terms of Use for Downloads are valid.



Cable gland, material for screw connection: Stainless steel 1.4305, external cable diameter 15 mm ... 21 mm, shielding: no, connecting thread: M32 x 1.5, color: silver, with O-ring

Commercial Data

| | |
|--------------------------------------|---------------------|
| Item number | 1424545 |
| Packing unit | 1 pc |
| Minimum order quantity | 1 pc |
| Product Key | BF7DAX |
| Catalog Page | Page 692 (C-2-2019) |
| GTIN | 4055626374505 |
| Weight per Piece (including packing) | 93.65 g |
| Weight per Piece (excluding packing) | 90 g |
| Customs tariff number | 73269098 |
| Country of origin | TR |

Cable gland - G-INS-M32-M68N-SNES-S

1424545

<https://www.phoenixcontact.com/pc/products/1424545>

Technical Data

Mounting

| | |
|-----------------------|---|
| Assembly instructions | 1) Mount screw connection support in the housing using the correct torque 2) Insert cable 3) Tighten union nut using the correct torque |
|-----------------------|---|

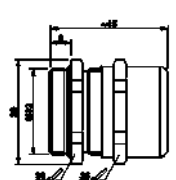
Product properties

| | |
|--------------------------------|-----------------------|
| Product type | Full screw connection |
| No. of conductors | 1 |
| Manufacturer | BIMED |
| Manufacturer Designation | BMSC-E4 |
| Shielded | no |
| Execution of the strain relief | A |

Characteristics

| | |
|--------------------------|--|
| Category of shock impact | 4 |
| Design, Strain relief | A |
| Tightening torque | 15 Nm (Cap nut) 6 Nm (Support sleeve) for UL514 B: union nut |

Dimensions

| | |
|---------------------------------|--|
| Dimensional drawing |  |
| Length | 45 mm |
| Length of the connecting thread | 8 mm |
| Hole diameter | 32.1 mm ... 32.3 mm |
| Wrench size, union nut | 36 mm |
| Wrench size, support | 36 mm |
| Hexagon angular dimension | 38.9 mm |
| Thread type connection side | M32 x 1.5 |
| Thread pitch | 1.5 mm |

Material specifications

| | |
|-------------------------------|-------------------------|
| Color | silver |
| Sealing material | Perbunan (O-ring) CR |
| Material, insert | Polyamide 6 |
| Material for screw connection | Stainless steel 1.4305 |

Cable gland - G-INS-M32-M68N-SNES-S



1424545

<https://www.phoenixcontact.com/pc/products/1424545>

Cable / line

| | |
|-------------------------|--------------------------------|
| External cable diameter | 15 mm ... 21 mm |
| | 17 mm ... 21 mm (for UL 514 B) |

Environmental and real-life conditions

Ambient conditions

| | |
|---------------------------------|----------------------------|
| Degree of protection | IP68 (5 bar, 30 min.) |
| | IP66 |
| | IP69 |
| Ambient temperature (operation) | -40 °C ... 100 °C (static) |

Cable gland - G-INS-M32-M68N-SNES-S

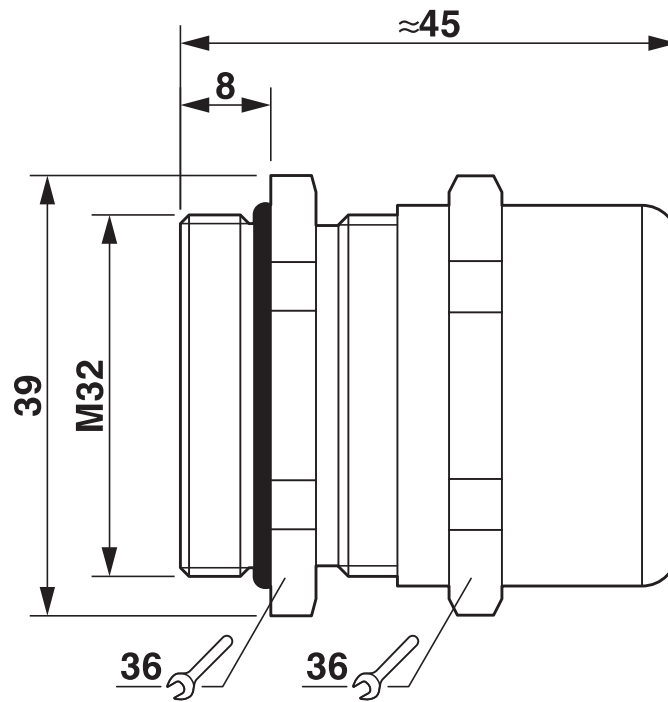
1424545

<https://www.phoenixcontact.com/pc/products/1424545>



Drawings

Dimensional drawing



Dimensional drawing

Cable gland - G-INS-M32-M68N-SNES-S



1424545

<https://www.phoenixcontact.com/pc/products/1424545>

Approvals



UL Listed

Approval ID: E199260



cUL Listed

Approval ID: E199260

cULus Listed

Cable gland - G-INS-M32-M68N-SNES-S



1424545

<https://www.phoenixcontact.com/pc/products/1424545>

Classifications

ECLASS

| | |
|---------------|----------|
| ECLASS-9.0 | 27144432 |
| ECLASS-10.0.1 | 27144432 |
| ECLASS-11.0 | 27144432 |

ETIM

| | |
|----------|----------|
| ETIM 8.0 | EC000441 |
|----------|----------|

UNSPSC

| | |
|-------------|----------|
| UNSPSC 21.0 | 39121300 |
|-------------|----------|

Cable gland - G-INS-M32-M68N-SNES-S



1424545

<https://www.phoenixcontact.com/pc/products/1424545>

Environmental Product Compliance

| | |
|------------|---|
| China RoHS | Environmentally friendly use period: unlimited = EFUP-e |
| | No hazardous substances above threshold values |