

Cable gland - G-INS-M32-M68L-PEPDS-LG



1424517

<https://www.phoenixcontact.com/pc/products/1424517>

Please be informed that the data shown in this PDF document is generated from our Online Catalog. Please find the complete data in the user documentation. Our General Terms of Use for Downloads are valid.



Cable gland, material for screw connection: PA, external cable diameter 13 mm ... 21 mm, shielding: no, connecting thread: M32 x 1.5, color: lightgrey RAL 7035

Commercial Data

Item number	1424517
Packing unit	5 pc
Minimum order quantity	5 pc
Product Key	BF7DCX
GTIN	4055626374222
Weight per Piece (including packing)	38.9 g
Weight per Piece (excluding packing)	36.65 g
Customs tariff number	39269097
Country of origin	DE

Cable gland - G-INS-M32-M68L-PEPDS-LG



1424517

<https://www.phoenixcontact.com/pc/products/1424517>

Technical Data

Mounting

Assembly instructions	1) Mount screw connection support in the housing using the correct torque 2) Insert cable 3) Tighten union nut using the correct torque
-----------------------	---

Product properties

Product type	Full screw connection
No. of conductors	1
Manufacturer	WISKA
Manufacturer Designation	ESKV-L 32
Shielded	no
Execution of the strain relief	A

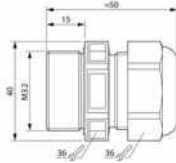
Ex data

Suited for EX-applications	No
----------------------------	----

Characteristics

Category of shock impact	4
Design, Strain relief	A
Tightening torque	4 Nm (Union nut) 4 Nm (Support sleeve)

Dimensions

Dimensional drawing	
Length	45 mm
Length of the connecting thread	15 mm
Hole diameter	32.1 mm ... 32.3 mm
Wrench size, union nut	36 mm
Wrench size, support	36 mm
Hexagon angular dimension	40 mm
Thread type connection side	M32 x 1.5
Thread pitch	1.5 mm

Material specifications

Color	lightgrey RAL 7035
Sealing material	EPDM
Material for screw connection	PA

Cable gland - G-INS-M32-M68L-PEPDS-LG



1424517

<https://www.phoenixcontact.com/pc/products/1424517>

Cable / line

External cable diameter	13 mm ... 21 mm
	14.6 mm ... 19.5 mm (UL)

Environmental and real-life conditions

Ambient conditions

Degree of protection	IP68 (5 bar / 0.5 h)
	IP69
Ambient temperature (operation)	-40 °C ... 100 °C (static)

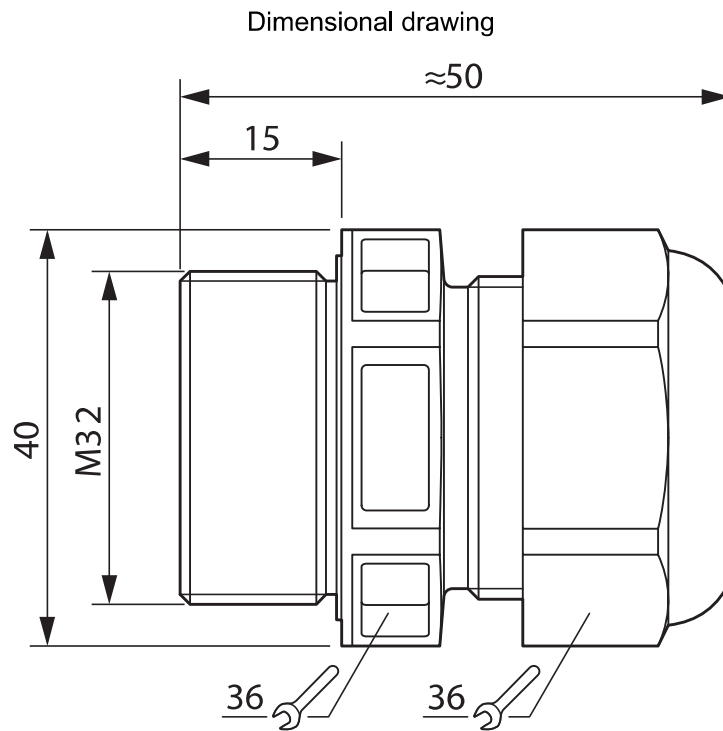
Cable gland - G-INS-M32-M68L-PEPDS-LG

1424517

<https://www.phoenixcontact.com/pc/products/1424517>



Drawings



Cable gland - G-INS-M32-M68L-PEPDS-LG



1424517

<https://www.phoenixcontact.com/pc/products/1424517>

Approvals



cUL Recognized
Approval ID: E179850



UL Recognized
Approval ID: E179850

cULus Recognized

Cable gland - G-INS-M32-M68L-PEPDS-LG



1424517

<https://www.phoenixcontact.com/pc/products/1424517>

Classifications

ECLASS

ECLASS-9.0	27144432
ECLASS-10.0.1	27144432
ECLASS-11.0	27144432

ETIM

ETIM 8.0	EC000441
----------	----------

UNSPSC

UNSPSC 21.0	39121300
-------------	----------

Cable gland - G-INS-M32-M68L-PEPDS-LG



1424517

<https://www.phoenixcontact.com/pc/products/1424517>

Environmental Product Compliance

China RoHS	Environmentally friendly use period: unlimited = EFUP-e
	No hazardous substances above threshold values