

Cable gland - G-INS-PG11-M68N-PNES-BK



1424497

<https://www.phoenixcontact.com/pc/products/1424497>

Please be informed that the data shown in this PDF document is generated from our Online Catalog. Please find the complete data in the user documentation. Our General Terms of Use for Downloads are valid.



Cable gland, material for screw connection: PA, external cable diameter 5 mm ... 10 mm, shielding: no, connecting thread: Pg11, color: jet black RAL 9005

Your advantages

- Plastic material conforms to UL 746C f1

Commercial Data

Item number	1424497
Packing unit	5 pc
Minimum order quantity	5 pc
Product Key	BF7DCX
Catalog Page	Page 687 (C-2-2019)
GTIN	4055626373270
Weight per Piece (including packing)	9.46 g
Weight per Piece (excluding packing)	9.31 g
Customs tariff number	39269097
Country of origin	TR

Cable gland - G-INS-PG11-M68N-PNES-BK



1424497

<https://www.phoenixcontact.com/pc/products/1424497>

Technical Data

Mounting

Assembly instructions	1) Mount screw connection support in the housing using the correct torque 2) Insert cable 3) Tighten union nut using the correct torque
-----------------------	---

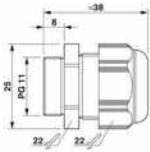
Product properties

Product type	Full screw connection
No. of conductors	1
Manufacturer	BIMED
Manufacturer Designation	BS-23
Shielded	no

Characteristics

Tightening torque	2.5 Nm \pm 0.5 Nm (Cap nut)
	2 Nm (Support sleeve)

Dimensions

Dimensional drawing	
Length	38 mm
Length of the connecting thread	8 mm
Hole diameter	18.7 mm ... 18.8 mm
Wrench size, union nut	22 mm
Wrench size, support	22 mm
Hexagon angular dimension	25 mm
Thread type connection side	Pg11

Material specifications

Color	jet black RAL 9005
Flammability rating according to UL 94	V2
Sealing material	CR
Material for screw connection	PA

Cable / line

External cable diameter	5 mm ... 10 mm
	5 mm ... 10 mm (for UL 514 B)

Environmental and real-life conditions

Cable gland - G-INS-PG11-M68N-PNES-BK



1424497

<https://www.phoenixcontact.com/pc/products/1424497>

Ambient conditions

Degree of protection	IP68 (5 bar / 0.5 h)
Ambient temperature (operation)	-40 °C ... 100 °C (static)

Cable gland - G-INS-PG11-M68N-PNES-BK

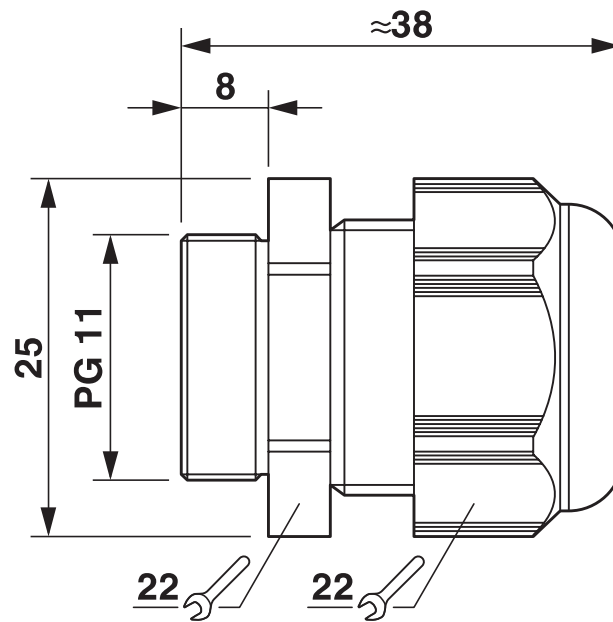
1424497

<https://www.phoenixcontact.com/pc/products/1424497>



Drawings

Dimensional drawing



Dimensional drawing

Cable gland - G-INS-PG11-M68N-PNES-BK



1424497

<https://www.phoenixcontact.com/pc/products/1424497>

Approvals

DNV

Approval ID: TAE00003WX



CSA

Approval ID: 115116

	Nominal Voltage U_N	Nominal Current I_N	Cross Section AWG	Cross Section mm^2
External reference			-	-



cUL Recognized

Approval ID: E199260



UL Recognized

Approval ID: E199260

cULus Recognized

Cable gland - G-INS-PG11-M68N-PNES-BK



1424497

<https://www.phoenixcontact.com/pc/products/1424497>

Classifications

ECLASS

ECLASS-9.0	27144432
ECLASS-10.0.1	27144432
ECLASS-11.0	27144432

ETIM

ETIM 8.0	EC000441
----------	----------

UNSPSC

UNSPSC 21.0	39121300
-------------	----------

Cable gland - G-INS-PG11-M68N-PNES-BK



1424497

<https://www.phoenixcontact.com/pc/products/1424497>

Environmental Product Compliance

China RoHS	Environmentally friendly use period: unlimited = EFUP-e
	No hazardous substances above threshold values