

# Cable gland - G-INS-PG21-M68N-PNES-LG



1424490

<https://www.phoenixcontact.com/pc/products/1424490>

Please be informed that the data shown in this PDF document is generated from our Online Catalog. Please find the complete data in the user documentation. Our General Terms of Use for Downloads are valid.



Cable gland, material for screw connection: PA, external cable diameter 13 mm ... 18 mm, shielding: no, connecting thread: Pg21, color: lightgrey RAL 7035

## Your advantages

- Plastic material conforms to UL 746C f1

## Commercial Data

Item number	1424490
Packing unit	5 pc
Minimum order quantity	5 pc
Product Key	BF7DCX
Catalog Page	Page 687 (C-2-2019)
GTIN	4055626373201
Weight per Piece (including packing)	22.3 g
Weight per Piece (excluding packing)	21.7 g
Customs tariff number	39269097
Country of origin	TR

# Cable gland - G-INS-PG21-M68N-PNES-LG



1424490

<https://www.phoenixcontact.com/pc/products/1424490>

## Technical Data

### Mounting

Assembly instructions	1) Mount screw connection support in the housing using the correct torque 2) Insert cable 3) Tighten union nut using the correct torque
-----------------------	---

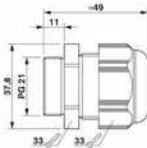
### Product properties

Product type	Full screw connection
No. of conductors	1
Manufacturer	BIMED
Manufacturer Designation	BS-16
Shielded	no

### Characteristics

Tightening torque	5.5 Nm $\pm$ 0.5 Nm (Cap nut)
	3.5 Nm (Support sleeve)

### Dimensions

Dimensional drawing	
Length	49 mm
Length of the connecting thread	11 mm
Hole diameter	28.4 mm ... 28.6 mm
Wrench size, union nut	33 mm
Wrench size, support	33 mm
Hexagon angular dimension	37.8 mm
Thread type connection side	Pg21

### Material specifications

Color	lightgrey RAL 7035
Flammability rating according to UL 94	V2
Sealing material	CR
Material for screw connection	PA

### Cable / line

External cable diameter	13 mm ... 18 mm
	13 mm ... 18 mm (for UL 514 B)

### Environmental and real-life conditions

# Cable gland - G-INS-PG21-M68N-PNES-LG



1424490

<https://www.phoenixcontact.com/pc/products/1424490>

## Ambient conditions

Degree of protection	IP68 (5 bar / 0.5 h)
Ambient temperature (operation)	-40 °C ... 100 °C (static)

# Cable gland - G-INS-PG21-M68N-PNES-LG

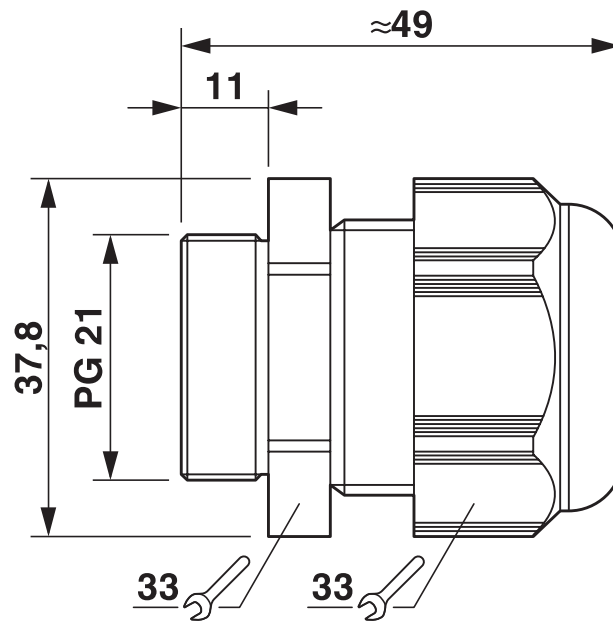
1424490

<https://www.phoenixcontact.com/pc/products/1424490>



## Drawings

Dimensional drawing



Dimensional drawing

# Cable gland - G-INS-PG21-M68N-PNES-LG





1424490

<https://www.phoenixcontact.com/pc/products/1424490>

## Approvals

 <b>CSA</b> Approval ID: 115116				
	Nominal Voltage $U_N$	Nominal Current $I_N$	Cross Section AWG	Cross Section $\text{mm}^2$
External reference			-	-

 <b>UL Listed</b> Approval ID: E199260				
--	--	--	--	--

 <b>cUL Listed</b> Approval ID: E199260				
---	--	--	--	--

<b>cULus Listed</b>				
---------------------	--	--	--	--

# Cable gland - G-INS-PG21-M68N-PNES-LG



1424490

<https://www.phoenixcontact.com/pc/products/1424490>

## Classifications

### ECLASS

ECLASS-9.0	27144432
ECLASS-10.0.1	27144432
ECLASS-11.0	27144432

### ETIM

ETIM 8.0	EC000441
----------	----------

### UNSPSC

UNSPSC 21.0	39121300
-------------	----------

# Cable gland - G-INS-PG21-M68N-PNES-LG



1424490

<https://www.phoenixcontact.com/pc/products/1424490>

## Environmental Product Compliance

China RoHS	Environmentally friendly use period: unlimited = EFUP-e
	No hazardous substances above threshold values