

# Cable gland - G-INS-M32-L68N-PNES-BK



1424483

<https://www.phoenixcontact.com/pc/products/1424483>

Please be informed that the data shown in this PDF document is generated from our Online Catalog. Please find the complete data in the user documentation. Our General Terms of Use for Downloads are valid.



Cable gland, material for screw connection: PA, external cable diameter 18 mm ... 25 mm, shielding: no, connecting thread: M32 x 1.5, color: jet black RAL 9005

## Your advantages

- Plastic material conforms to UL 746C f1

## Commercial Data

Item number	1424483
Packing unit	5 pc
Minimum order quantity	5 pc
Product Key	BF7DCX
Catalog Page	Page 686 (C-2-2019)
GTIN	4055626373133
Weight per Piece (including packing)	38.05 g
Weight per Piece (excluding packing)	37.32 g
Customs tariff number	39269097
Country of origin	TR

# Cable gland - G-INS-M32-L68N-PNES-BK



1424483

<https://www.phoenixcontact.com/pc/products/1424483>

## Technical Data

### Mounting

Assembly instructions	1) Mount screw connection support in the housing using the correct torque 2) Insert cable 3) Tighten union nut using the correct torque
-----------------------	---

### Product properties

Product type	Full screw connection
No. of conductors	1
Manufacturer	BIMED
Manufacturer Designation	BM-27
Shielded	no
Execution of the strain relief	A

### Characteristics

Category of shock impact	4
Design, Strain relief	A
Tightening torque	10 Nm (Cap nut) 5 Nm (Support: EN 62444) 15.8 Nm (for UL514 B: union nut)

### Dimensions

Dimensional drawing	
Length	50 mm
Length of the connecting thread	16 mm
Hole diameter	32.1 mm ... 32.3 mm
Wrench size, union nut	42 mm
Wrench size, support	42 mm
Hexagonal angular dimension	40.9 mm
Thread type connection side	M32 x 1.5
Thread pitch	1.5 mm

### Material specifications

Color	jet black RAL 9005
Flammability rating according to UL 94	V2
Sealing material	CR

# Cable gland - G-INS-M32-L68N-PNES-BK



1424483

<https://www.phoenixcontact.com/pc/products/1424483>

Material for screw connection	PA
-------------------------------	----

## Cable / line

External cable diameter	18 mm ... 25 mm
	18 mm ... 25 mm (for UL 514 B)

## Environmental and real-life conditions

### Ambient conditions

Degree of protection	IP68 (5 bar / 0.5 h)
	IP66
Ambient temperature (operation)	-40 °C ... 100 °C (static)

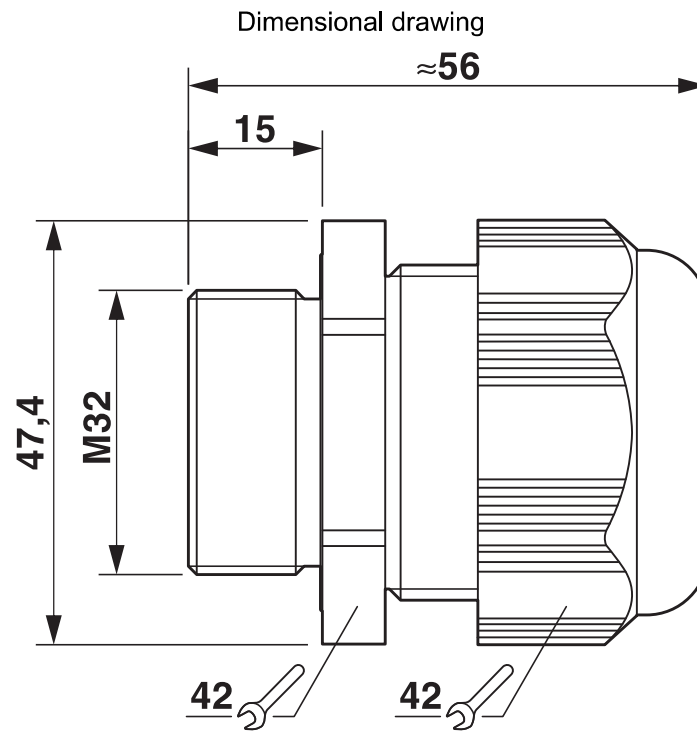
# Cable gland - G-INS-M32-L68N-PNES-BK

1424483

<https://www.phoenixcontact.com/pc/products/1424483>



## Drawings



Dimensional drawing

# Cable gland - G-INS-M32-L68N-PNES-BK



1424483

<https://www.phoenixcontact.com/pc/products/1424483>

## Approvals

CSA Approval ID: 115116				
	Nominal Voltage $U_N$	Nominal Current $I_N$	Cross Section AWG	Cross Section $\text{mm}^2$
External reference			-	-

UL Listed Approval ID: E199260				
-----------------------------------	--	--	--	--

cUL Listed Approval ID: E199260				
------------------------------------	--	--	--	--

cULus Listed				
--------------	--	--	--	--

# Cable gland - G-INS-M32-L68N-PNES-BK



1424483

<https://www.phoenixcontact.com/pc/products/1424483>

## Classifications

### ECLASS

ECLASS-9.0	27144432
ECLASS-10.0.1	27144432
ECLASS-11.0	27144432

### ETIM

ETIM 8.0	EC000441
----------	----------

### UNSPSC

UNSPSC 21.0	39121300
-------------	----------

# Cable gland - G-INS-M32-L68N-PNES-BK



1424483

<https://www.phoenixcontact.com/pc/products/1424483>

## Environmental Product Compliance

China RoHS	Environmentally friendly use period: unlimited = EFUP-e
	No hazardous substances above threshold values