

Housing - HC-STA-D15-HLFS-1STM20-ELC-AL



1424345

<https://www.phoenixcontact.com/pc/products/1424345>

Please be informed that the data shown in this PDF document is generated from our Online Catalog. Please find the complete data in the user documentation. Our General Terms of Use for Downloads are valid.



Sleeve housing D15, for single locking latch, material: Die-cast aluminum, salt water resistant, cable outlets: 1, lateral, 1x M20, height: 56 mm, cable gland: none, Standard

Housing - HC-STA-D15-HLFS-1STM20-ELC-AL



1424345

<https://www.phoenixcontact.com/pc/products/1424345>

Commercial Data

Item number	1424345
Packing unit	1 pc
Minimum order quantity	1 pc
Product Key	BF7APE
Catalog Page	Page 525 (C-2-2019)
GTIN	4055626370811
Weight per Piece (including packing)	95.1 g
Weight per Piece (excluding packing)	95.1 g
Customs tariff number	85389099
Country of origin	CN

1424345

<https://www.phoenixcontact.com/pc/products/1424345>

Technical Data


Notes

General	For contact inserts HC-D15, A10
---------	---------------------------------

Product properties

Type	D15
Product type	Housing with locking latch
Application	Standard
No. of cable outlets	1
Type of the screw connection	1x M20
Housing type	Sleeve housing
Locking type	for single locking latch
Cable outlet	lateral
Pg screw connection	none

Dimensions

Dimensional drawing	
Width	30 mm
Height	56 mm
Length	63.5 mm

Material specifications

Color	gray aluminum
Sealing material	NBR, conductive (profile gasket)
Housing surface material	uncoated
Impact strength	IK08
Housing material	Die-cast aluminum, salt water resistant

Ambient conditions

Degree of protection	IP66
	IP67
Impact strength	IK08
Ambient temperature (operation)	-40 °C ... 125 °C

Mechanical properties

Mechanical data

Type of the screw connection	1x M20
Locking type	Pin

Housing - HC-STA-D15-HLFS-1STM20-ELC-AL

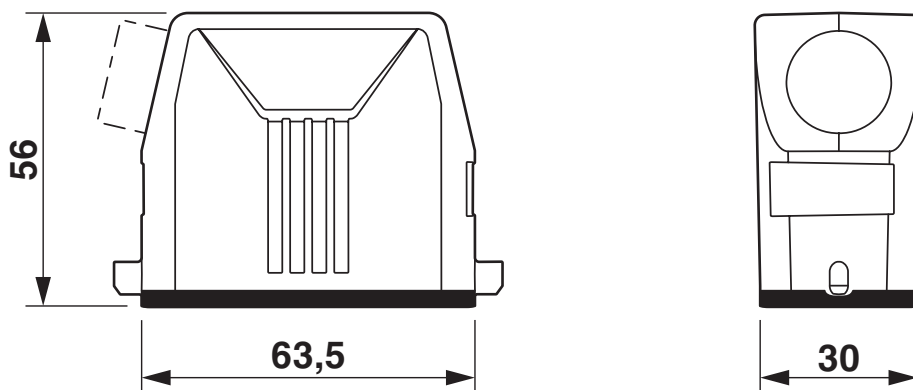


1424345

<https://www.phoenixcontact.com/pc/products/1424345>

Drawings

Dimensional drawing



Dimensional drawing

1424345

<https://www.phoenixcontact.com/pc/products/1424345>

Approvals

DNV

Approval ID: TAE000037S



cUL Recognized

Approval ID: E255026



UL Recognized

Approval ID: E255026



EAC

Approval ID: RU C-DE.BL08.B.00511

cULus Recognized

1424345

<https://www.phoenixcontact.com/pc/products/1424345>

Classifications

ECLASS

ECLASS-9.0	27440202
ECLASS-10.0.1	27440202
ECLASS-11.0	27440202

ETIM

ETIM 8.0	EC000437
----------	----------

UNSPSC

UNSPSC 21.0	31261500
-------------	----------

1424345

<https://www.phoenixcontact.com/pc/products/1424345>

Environmental Product Compliance

China RoHS	Environmentally Friendly Use Period = 50 years For information on hazardous substances, refer to the manufacturer's declaration available under "Downloads"
------------	--

1424345

<https://www.phoenixcontact.com/pc/products/1424345>

Accessories

Cable gland

Cable gland - G-INS-M20-S68N-NNES-S - 1411163

<https://www.phoenixcontact.com/pc/products/1411163>



Cable gland, cable gland material: Nickel-plated brass, external cable diameter 6 mm ... 12 mm, shielding: no, connecting thread: M20 x 1.5, color: silver, with O-ring

Screw connection

Screw connection - WP-G HF IP66 M20 BK - 3240898

<https://www.phoenixcontact.com/pc/products/3240898>



Cable gland, metric thread, IP66 protection, straight

1424345

<https://www.phoenixcontact.com/pc/products/1424345>

Cable gland

Cable gland - G-INSEC-M20-S68N-NCRS-S - 1411189

<https://www.phoenixcontact.com/pc/products/1411189>



Cable gland, cable gland material: Nickel-plated brass, external cable diameter 9 mm ... 13 mm, shielding: yes, connecting thread: M20 x 1.5, color: silver, with O-ring

Screw connection

Screw connection - WP-G HF IP69K M20 BK - 3240884

<https://www.phoenixcontact.com/pc/products/3240884>



Cable gland, metric thread, IP68/69k protection, straight

Housing - HC-STA-D15-HLFS-1STM20-ELC-AL

1424345

<https://www.phoenixcontact.com/pc/products/1424345>

Cable gland

Cable gland - G-INS-M20-M68N-SNES-S - 1424543

<https://www.phoenixcontact.com/pc/products/1424543>



Cable gland, cable gland material: Stainless steel 1.4305, external cable diameter 6 mm ... 12 mm, shielding: no, connecting thread: M20 x 1.5, color: silver, with O-ring

Screw connection

Screw connection - WP-GA HF IP66 M20 BK - 3240926

<https://www.phoenixcontact.com/pc/products/3240926>



Cable gland, metric thread, IP66 protection, angled

Housing - HC-STA-D15-HLFS-1STM20-ELC-AL

1424345

<https://www.phoenixcontact.com/pc/products/1424345>

Profile gasket

Profile gasket - HC-D 15-PR-DI - 1661189

<https://www.phoenixcontact.com/pc/products/1661189>

Replacement profile gasket for HC-D15 sleeve housing



Screw connection

Screw connection - WP-GA HF IP69K M20 BK - 3240912

<https://www.phoenixcontact.com/pc/products/3240912>

Cable gland, metric thread, IP68/69k protection, angled



Housing - HC-STA-D15-HLFS-1STM20-ELC-AL

1424345

<https://www.phoenixcontact.com/pc/products/1424345>

Module carrier frame

Module carrier frame - HC-M-D15-MF-HB - 1062122

<https://www.phoenixcontact.com/pc/products/1062122>

Module carrier frame, size: D15, 0.14 mm² ... 2.5 mm², application: Module carrier frame, for size D15 housings



Screw connection

Screw connection - WP-GR HF IP66 M20 BK - 3240954

<https://www.phoenixcontact.com/pc/products/3240954>

Cable gland, metric thread, IP66 protection, with strain relief



Housing - HC-STA-D15-HLFS-1STM20-ELC-AL

1424345

<https://www.phoenixcontact.com/pc/products/1424345>

Screw connection

Screw connection - WP-GR HF IP69K M20 BK - 3240940

<https://www.phoenixcontact.com/pc/products/3240940>



Cable gland, metric thread, IP68/69k protection, with strain relief

Screw connection

Screw connection - WP-G PP HF M20 - 3240998

<https://www.phoenixcontact.com/pc/products/3240998>



Cable gland made from PP with metric thread, IP65 protection

Housing - HC-STA-D15-HLFS-1STM20-ELC-AL

1424345

<https://www.phoenixcontact.com/pc/products/1424345>

Screw connection

Screw connection - WP-GT PP HF M20 - 3241012

<https://www.phoenixcontact.com/pc/products/3241012>



Cable gland made from PP with metric thread, rotatable, IP54 protection

Screw connection

Screw connection - WP-G BRASS IP40 M20 - 3241047

<https://www.phoenixcontact.com/pc/products/3241047>



Cable gland made from brass with metric thread, IP40 protection

Housing - HC-STA-D15-HLFS-1STM20-ELC-AL

1424345

<https://www.phoenixcontact.com/pc/products/1424345>

Screw connection

Screw connection - WP-GT BRASS M20 - 3241033

<https://www.phoenixcontact.com/pc/products/3241033>



Cable gland made from brass with metric thread, rotatable, IP40 protection

Screw connection

Screw connection - WP-G BRASS IP65 M20 - 3241061

<https://www.phoenixcontact.com/pc/products/3241061>



Cable gland made from brass with metric thread, IP65 protection

Phoenix Contact 2022 © - all rights reserved
<https://www.phoenixcontact.com>

PHOENIX CONTACT GmbH & Co. KG
Flachsmarktstraße 8
D-32825 Blomberg
+49 (0) 5235-3 00
info@phoenixcontact.com