

Flush-type connector - SACC-E-M8MS-5CON-M10/0,5 DN



1424234

<https://www.phoenixcontact.com/pc/products/1424234>

Please be informed that the data shown in this PDF document is generated from our Online Catalog. Please find the complete data in the user documentation. Our General Terms of Use for Downloads are valid.



Flush-type connector, DeviceNet™, 5-position, Plug, straight, M8, Front mounting, M10, Individual wires, cable length: 0.5 m, 0.25 mm², PVC litz wire

Your advantages

- Pre-assembled with litz wires for immediate use
- Customer-specific assemblies and litz wire lengths available
- Sealed on the litz wire side for optimum leak-tightness
- Standard pin assignments and codings for signal transmission with a uniform design-in design

Flush-type connector - SACC-E-M8MS-5CON-M10/0,5 DN



1424234

<https://www.phoenixcontact.com/pc/products/1424234>

Commercial Data

Item number	1424234
Packing unit	1 pc
Minimum order quantity	1 pc
Note	Made to Order (non-returnable)
Product Key	ABQBBA
Catalog Page	Page 33 (C-2-2019)
GTIN	4046356712460
Weight per Piece (including packing)	17.5 g
Weight per Piece (excluding packing)	14.8 g
Customs tariff number	85366990
Country of origin	DE

Flush-type connector - SACC-E-M8MS-5CON-M10/0,5 DN



1424234

<https://www.phoenixcontact.com/pc/products/1424234>

Technical Data

Product properties

Product type	Circular connectors (device side)
Number of positions	5
No. of cable outlets	1
Shielded	no
Coding	B - inverse

Insulation characteristics

Overvoltage category	II
Degree of pollution	3

Ambient conditions

Degree of protection	IP67
Degree of protection	IP67
Ambient temperature (operation)	-25 °C ... 85 °C (Plug / socket)
	-40 °C ... 105 °C (cable, fixed installation)
	-10 °C ... 105 °C

Connector

Header 1

Head design	Plug
Head cable outlet	straight
Head thread type	M8

Electrical properties

Contact resistance	≤ 3 mΩ
Insulation resistance	≥ 100 MΩ
Nominal voltage U _N	30 V AC
	30 V DC
Nominal current I _N	3 A

Material specifications

Material	PU 2K (Grout material)
Flammability rating according to UL 94	HB
Contact material	Cu alloy
Contact surface material	Au
Contact carrier material	PA 6.6
Cable gland material	Zinc die-cast, nickel-plated

Connection data

Conductor connection

Flush-type connector - SACC-E-M8MS-5CON-M10/0,5 DN



1424234

<https://www.phoenixcontact.com/pc/products/1424234>

Connection method	Individual wires
-------------------	------------------

Mounting

Mounting type	Front mounting M10
---------------	--------------------

Standards and regulations

M8

Standards/specifications	IEC 61076-2-104
--------------------------	-----------------

Cable / line

Cable length	0.5 m
--------------	-------

Cable structure

Cable type	PVC litz wire
Signal type/category	DeviceNet™
Conductor material	Tin-plated Cu litz wires
Conductor structure signal line	7x 0.20 mm
AWG signal line	24
Material wire insulation	PVC / UL
Thickness, insulation	0.21 mm
Wire diameter incl. insulation	1.5 mm ±0.1 mm
Single wire, color	gray, red, white, black, blue

Electrical properties

Nominal voltage, cable	300 V
Test voltage, cable	2000 V AC
Conductor resistance	≥ 80 Ω/km
Cable insulation resistance	≥ 20 MΩ*km

Ambient conditions

Ambient temperature (operation)	-10 °C ... 105 °C
	-40 °C ... 105 °C (cable, fixed installation)

Flush-type connector - SACC-E-M8MS-5CON-M10/0,5 DN

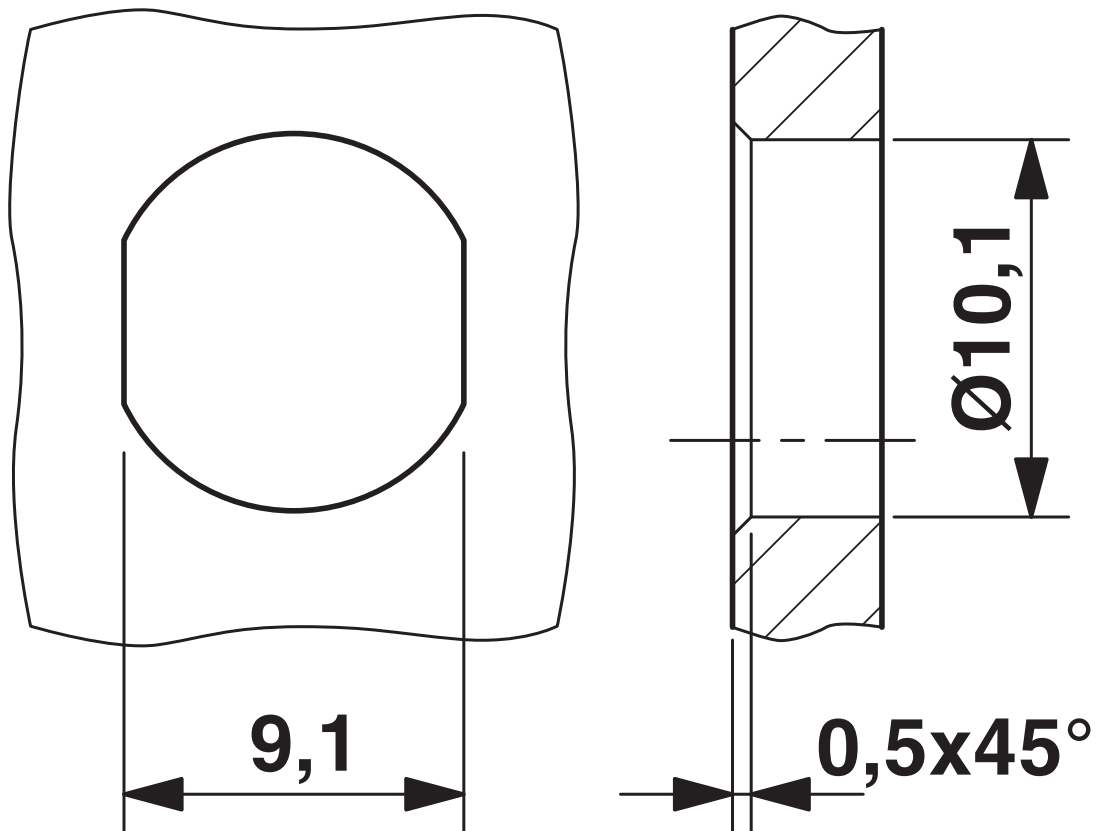


1424234

<https://www.phoenixcontact.com/pc/products/1424234>

Drawings

Dimensional drawing



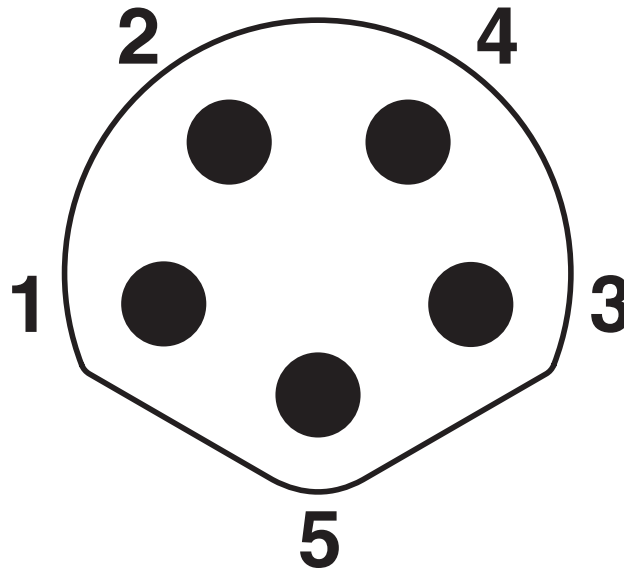
Mounting panel with feed-through hole

Flush-type connector - SACC-E-M8MS-5CON-M10/0,5 DN

1424234

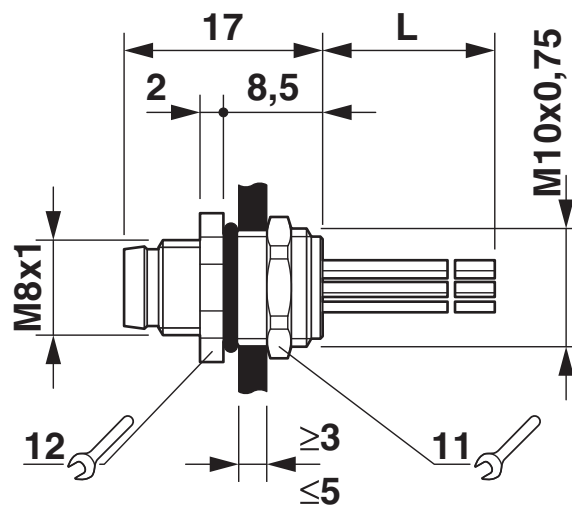
<https://www.phoenixcontact.com/pc/products/1424234>

Schematic diagram



Pin assignment M8 plug, 5-pos., B-coded, view plug side

Dimensional drawing



M8 flush-type plug

Flush-type connector - SACC-E-M8MS-5CON-M10/0,5 DN





1424234

<https://www.phoenixcontact.com/pc/products/1424234>

Approvals

 cUL Recognized Approval ID: FILE E 221474				
	Nominal Voltage U_N	Nominal Current I_N	Cross Section AWG	Cross Section mm^2
	30 V	4 A	- 24	-

 UL Recognized Approval ID: FILE E 221474				
	Nominal Voltage U_N	Nominal Current I_N	Cross Section AWG	Cross Section mm^2
	30 V	4 A	- 24	-

 EAC Approval ID: B.01687				
--	--	--	--	--

cULus Recognized				
-------------------------	--	--	--	--

Flush-type connector - SACC-E-M8MS-5CON-M10/0,5 DN



1424234

<https://www.phoenixcontact.com/pc/products/1424234>

Classifications

ECLASS

ECLASS-9.0	27440102
ECLASS-10.0.1	27440102
ECLASS-11.0	27440102

ETIM

ETIM 8.0	EC002635
----------	----------

UNSPSC

UNSPSC 21.0	39121400
-------------	----------

Flush-type connector - SACC-E-M8MS-5CON-M10/0,5 DN



1424234

<https://www.phoenixcontact.com/pc/products/1424234>

Environmental Product Compliance

REACH SVHC	Lead 7439-92-1
China RoHS	Environmentally Friendly Use Period = 50 years
	For information on hazardous substances, refer to the manufacturer's declaration available under "Downloads"

Phoenix Contact 2022 © - all rights reserved

<https://www.phoenixcontact.com>

PHOENIX CONTACT GmbH & Co. KG

Flachsmarktstraße 8

D-32825 Blomberg

+49 (0) 5235-3 00

info@phoenixcontact.com