


SACC-DSI-M8FS-8CON-M10/0,5

Order No.: 1424229



<http://catalog.phoenixcontact.net/phoenix/treeViewClick.do?UID=1424229>

Sensor/actuator flush-type socket, 8-pos., M8, rear/screw mounting with M10 fastening thread, with 0.5 m TPE litz wire, 8 x 0.14 mm²

Commercial data	
EAN	4  046356 712408
sales group	D125
Pack	1 Pcs.
Customs tariff	85366990
Gross weight in pieces	0.01642 KG
Net weight per piece	0.01642 KG
Catalog page information	Page 227 (C-2-2013)

Product notes

WEEE/RoHS-compliant since: 10/19/2011



<http://www.download.phoenixcontact.com>
Please note that the data given here has been taken from the online catalog. For comprehensive information and data, please refer to the user documentation. The General Terms and Conditions of Use apply to Internet downloads.

Technical data	
Dimensions	
Length of cable	0.5 m
Ambient conditions	
Ambient temperature (operation)	-25 °C ... 85 °C
Degree of protection	IP67

General

Rated current at 40°C	1.5 A
Rated voltage	30 V
Number of positions	8
Contact resistance	≤ 3 mΩ
Insulation resistance	≥ 100 MΩ
Coding	A - standard
Standards/regulations	M8 connector IEC 61076-2-104
Status display	No
Surge voltage category	II
Pollution degree	3
Connection method	Individual wires
Mounting type	Rear mounting M10

Material

Inflammability class according to UL 94	HB
Contact material	Cu alloy
Contact surface material	Au
Contact carrier material	PUR / PA66
Material, knurls	Zinc die-cast, nickel-plated

Cable

Cable type	PVC litz wire
AWG signal line	26
Wire colors	white, brown, green, yellow, gray, pink, blue, red
Conductor material	Tin-plated Cu litz wires
Ambient temperature (operation)	-25 °C ... 85 °C

Certificates / Approvals

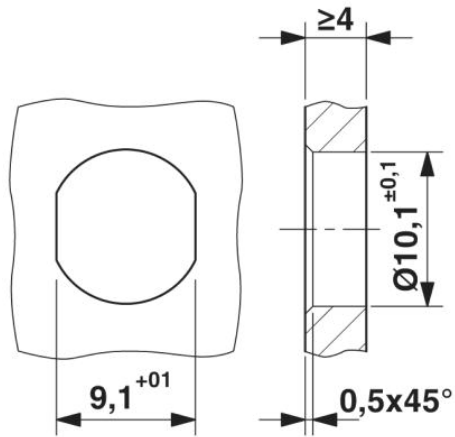
Certification

Certifications applied for:

Certification Ex:

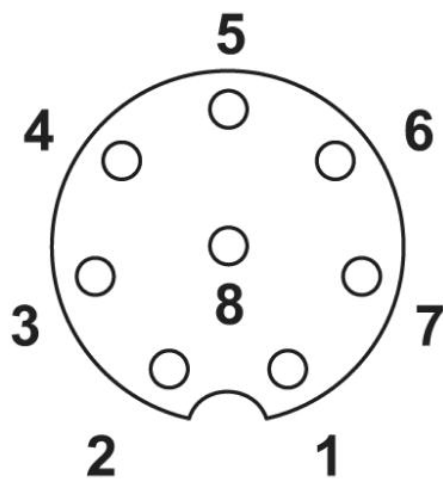
Drawings

Dimensioned drawing



Mounting panel with feed-through hole

Schematic diagram



Connector pin assignment of M8 socket, 8-pos., view of socket side

Address

PHOENIX CONTACT Deutschland GmbH
Flachmarktstr. 8
32825 Blomberg, Germany
Phone +49 5235 3 12000
Fax +49 5235 3 41200
<http://www.phoenixcontact.com>



© 2014 Phoenix Contact
Technical modifications reserved;