

## Flush-type connector - SACC-E-M12MST-4CON-M16/0,5 - 1424140

Please be informed that the data shown in this PDF Document is generated from our Online Catalog. Please find the complete data in the user's documentation. Our General Terms of Use for Downloads are valid (<http://phoenixcontact.com/download>)




Flush-type connector, Power, 4-position, Plug, M12, T power, Front mounting, M16 x 1.5, Individual wires, cable length: 0.5 m

### Your advantages

- ✓ For compact devices: transmit high power in a confined space
- ✓ Pre-assembled with litz wires for immediate use
- ✓ Customer-specific assemblies and litz wire lengths available
- ✓ Sealed on the litz wire side for optimum leak-tightness
- ✓ For high transmission safety: shield connection to the housing with optional EMC nut

RoHS

### Key Commercial Data

Packing unit	1 pc
GTIN	 4 046356 693424
GTIN	4046356693424
Weight per Piece (excluding packing)	60.000 g
Custom tariff number	85366990
Country of origin	Germany

### Technical data

#### Dimensions

Length of cable	0.5 m
-----------------	-------

#### Ambient conditions

Ambient temperature (operation)	-25 °C ... 85 °C (Plug / socket)
Degree of protection	IP65/IP67

# Flush-type connector - SACC-E-M12MST-4CON-M16/0,5 - 1424140

## Technical data

### General

Note	The electrical and mechanical data specified assume that the connector pair is correctly locked and mounted. If the connector is unlocked and if there is a danger of contamination, the connector must be sealed using a protective cap > IP54. Influences arising from litz wires, cables or PCB assembly must also be taken into consideration.
Rated current at 40°C	12 A
Rated voltage	63 V
Rated surge voltage	1.5 kV
Number of positions	4
Insulation resistance	≥ 100 MΩ
Coding	T power
Standards/regulations	M12 connector IEC 61076-2-111 In line with
Signal type/category	Power
Status display	No
Overvoltage category	III
Degree of pollution	3
Test voltage	1.5 kV
Connection method	Individual wires
Insertion/withdrawal cycles	> 100
Torque	M12 connector
Mounting type	Front mounting M16 x 1.5

### Material

Flammability rating according to UL 94	V0
Contact material	CuZn
Contact surface material	Au
Contact carrier material	PA
Material, knurls	CuZn alloy, nickel-plated
Sealing material	FKM
Additional material specifications	PU 2K (Grout material)

### Cable

Cable type	UL/cUL stranded hook-up wire
Conductor cross section	1.31 mm <sup>2</sup>
AWG signal line	16
Core diameter including insulation	2 mm
Wire colors	Black, brown, blue, white
Material conductor insulation	mPPE
Conductor material	Bare Cu litz wires
Standards/specifications	M12 connector IEC 61076-2-111 In line with

## Flush-type connector - SACC-E-M12MST-4CON-M16/0,5 - 1424140

### Technical data

#### Cable

Flame resistance	in acc. to UL 1581 VW1
Halogen-free	yes
Ambient temperature (operation)	-40 °C ... 105 °C (cable, fixed installation)
	-20 °C ... 105 °C (cable, flexible installation)

#### Standards and Regulations

Standard designation	M12 connector
Standards/regulations	IEC 61076-2-111
Flame resistance	in acc. to UL 1581 VW1
Halogen-free	yes
Flammability rating according to UL 94	V0

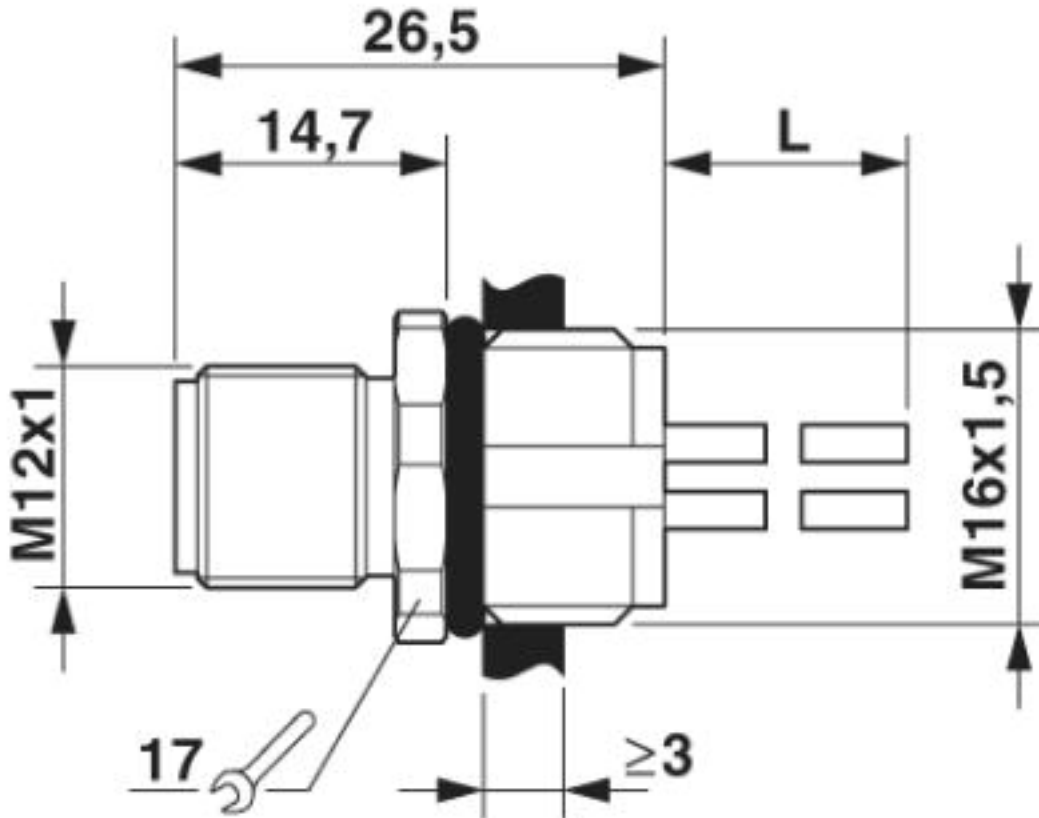
#### Environmental Product Compliance

	Lead 7439-92-1
China RoHS	Environmentally Friendly Use Period = 50
	For details about hazardous substances go to tab "Downloads", Category "Manufacturer's declaration"

### Drawings

# Flush-type connector - SACC-E-M12MST-4CON-M16/0,5 - 1424140

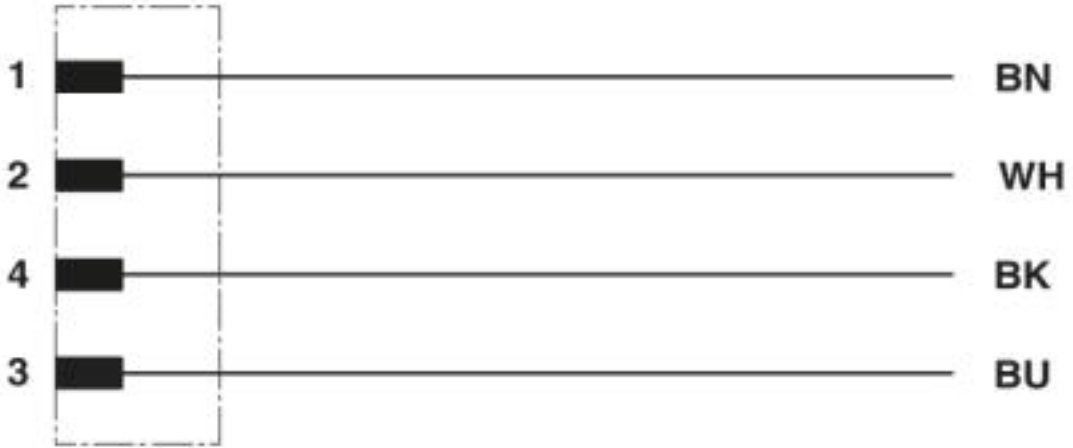
Dimensional drawing



M12 flush-type plug

# Flush-type connector - SACC-E-M12MST-4CON-M16/0,5 - 1424140

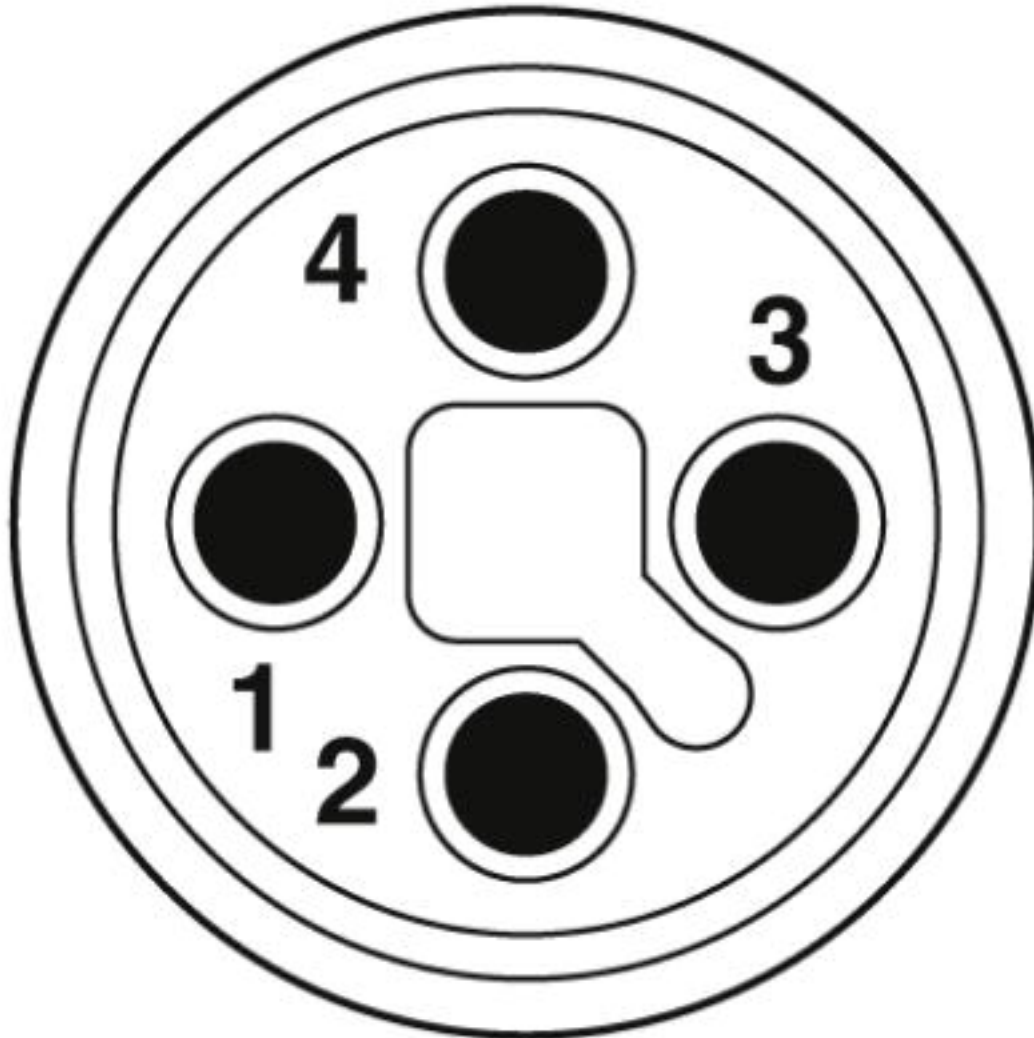
Circuit diagram



Contact assignment of the M12 plug

## Flush-type connector - SACC-E-M12MST-4CON-M16/0,5 - 1424140

Schematic diagram



Connector pin assignment of M12 plug, 4-pos., T-coded, view of pin side

### Classifications

eCl@ss

eCl@ss 4.0	27140800
eCl@ss 4.1	27140800
eCl@ss 5.0	27143400
eCl@ss 5.1	27143400
eCl@ss 6.0	27279200

# Flush-type connector - SACC-E-M12MST-4CON-M16/0,5 - 1424140

## Classifications

### eCl@ss

eCl@ss 7.0	27440103
eCl@ss 8.0	27440103
eCl@ss 9.0	27440102

### ETIM

ETIM 3.0	EC002061
ETIM 4.0	EC002062
ETIM 5.0	EC002061
ETIM 6.0	EC002061

### UNSPSC

UNSPSC 6.01	31251501
UNSPSC 7.0901	31251501
UNSPSC 11	31251501
UNSPSC 12.01	31251501
UNSPSC 13.2	39121413

## Approvals

### Approvals

---

Approvals


cUL Listed / EAC

---

Ex Approvals

---

### Approval details

cUL Listed		<a href="http://database.ul.com/cgi-bin/XYV/template/LISEXT/1FRAME/index.htm">http://database.ul.com/cgi-bin/XYV/template/LISEXT/1FRAME/index.htm</a>	FILE E 468743
Nominal voltage UN	63 V		
Nominal current IN	12 A		
mm <sup>2</sup> /AWG/kcmil	16		

## Flush-type connector - SACC-E-M12MST-4CON-M16/0,5 - 1424140

### Approvals

EAC



B.01742

### Accessories

#### Accessories

##### Flat nut

Flat nut - SACC-E-MU-M16 - 1504097



Flat nut with M16 thread