

Flush-type connector - SACC-E-M12MSS-4CON-M16/0,5 PE



1424139

<https://www.phoenixcontact.com/pc/products/1424139>

Please be informed that the data shown in this PDF document is generated from our Online Catalog. Please find the complete data in the user documentation. Our General Terms of Use for Downloads are valid.



Sensor/actuator flush-type plug, 4-pos., front/screw mounting with M16 thread, with 0.5 m PP litz wire, 4 x 1.5 mm²

Your advantages

- For compact devices: transmit high power in a confined space
- Protection against mismatching thanks to S-coding
- Pre-assembled with litz wires for immediate use
- Customer-specific assemblies and litz wire lengths available
- Sealed on the litz wire side for optimum leak-tightness
- For high transmission safety: shield connection to the housing with optional EMC nut

Flush-type connector - SACC-E-M12MSS-4CON-M16/0,5 PE



1424139

<https://www.phoenixcontact.com/pc/products/1424139>

Commercial Data

Item number	1424139
Packing unit	1 pc
Minimum order quantity	1 pc
Note	Made to Order (non-returnable)
Product Key	ABQEAA
Catalog Page	Page 282 (C-2-2019)
GTIN	4046356693417
Weight per Piece (including packing)	59.9 g
Weight per Piece (excluding packing)	48.4 g
Customs tariff number	85366990
Country of origin	DE

Flush-type connector - SACC-E-M12MSS-4CON-M16/0,5 PE



1424139

<https://www.phoenixcontact.com/pc/products/1424139>

Technical Data

Notes

Notes on operation	The electrical and mechanical data specified assume that the connector pair is correctly locked and mounted. If the connector is unlocked and if there is a danger of contamination, the connector must be sealed using a protective cap > IP54. Influences arising from litz wires, cables or PCB assembly must also be taken into consideration.
Safety note	<p data-bbox="849 763 1449 842">WARNING: The connectors may not be plugged in or disconnected under load. Ignoring the warning or improper use may damage persons and/or property.</p> <ul data-bbox="849 860 1469 2105" style="list-style-type: none"><li data-bbox="849 860 1430 969">• WARNING: Commission properly functioning products only. The products must be regularly inspected for damage. Decommission defective products immediately. Replace damaged products. Repairs are not possible.<li data-bbox="849 987 1469 1182">• WARNING: Only electrically qualified personnel may install and operate the product. They must observe the following safety notes. The qualified personnel must be familiar with the basics of electrical engineering. They must be able to recognize and prevent danger. The relevant symbol on the packaging indicates that only personnel familiar with electrical engineering are allowed to install and operate the product.<li data-bbox="849 1200 1437 1249">• The products are suitable for applications in plant, controller, and electrical device engineering.<li data-bbox="849 1267 1449 1317">• When operating the connectors in outdoor applications, they must be separately protected against environmental influences.<li data-bbox="849 1335 1425 1384">• Assembled products may not be manipulated or improperly opened.<li data-bbox="849 1402 1449 1480">• Only use mating connectors that are specified in the technical data of the standards listed (e.g. the ones listed in the product accessories online at phoenixcontact.com/products).<li data-bbox="849 1498 1430 1547">• When using the product in direct connection with third-party manufacturers, the user is responsible.<li data-bbox="849 1565 1398 1615">• For operating voltages > 50 V AC, conductive connector housings must be grounded<li data-bbox="849 1632 1409 1711">• Ensure that when laying the cable, the tensile load on the connectors does not exceed the upper limit specified in the standards.<li data-bbox="849 1729 1390 1899">• Observe the corresponding technical data. You will find information:<ul data-bbox="849 1794 1414 1899" style="list-style-type: none"><li data-bbox="849 1794 1011 1816">o On the product<li data-bbox="849 1821 1062 1843">o On the packing label<li data-bbox="849 1848 1153 1870">o In the supplied documentation<li data-bbox="849 1874 1414 1899">o Online at phoenixcontact.com/products under the product<li data-bbox="849 1917 1337 1939">• Only use tools recommended by Phoenix Contact<li data-bbox="849 1957 1449 2038">• Use a protective cap to protect connectors that are not in use. The suitable accessories are available online in the accessory section of the product at phoenixcontact.com/products<li data-bbox="849 2056 1398 2105">• Ensure that the protective or functional ground has been properly connected.

Flush-type connector - SACC-E-M12MSS-4CON-M16/0,5 PE



1424139

<https://www.phoenixcontact.com/pc/products/1424139>

	<ul style="list-style-type: none"> • VDE 0100/1.97 § 411.1.3.2 and DIN EN 60 204/11.98 § 14.1.3 are applicable when combining several circuits in a cable and/or connector • The connector warms up in normal operation. Depending on the ambient conditions, the surface of the connector can continue to warm up. In this case, the user is responsible for posting warnings (e.g. DIN EN ISO 13732-1:2008-12).
--	---

Product properties

Product type	Circular connectors (device side)
Number of positions	4
No. of cable outlets	1
Shielded	no
Coding	S power

Insulation characteristics

Overvoltage category	III
Degree of pollution	3

Ambient conditions

Degree of protection	IP67
Degree of protection	IP65/IP67
Ambient temperature (operation)	-25 °C ... 85 °C (Plug / socket)
	-40 °C ... 85 °C (without mechanical actuation)
	-25 °C ... 105 °C (Cable, flexible installation)
	-40 °C ... 105 °C (cable, fixed installation)

Connector

Insertion/withdrawal cycles	> 100
-----------------------------	-------

Header 1

Head design	Plug
Head thread type	M12
Coding	S power

Electrical properties

Rated voltage in acc. with IEC 61076-2-101	630 V
Rated surge voltage	6 kV
Rated surge voltage	6 kV AC
Contact resistance	≤ 3 mΩ
Insulation resistance	≥ 100 MΩ
Nominal voltage U_N	630 V
Nominal current I_N	12 A
Test voltage	6 kV

Material specifications

Flammability rating according to UL 94	V0
--	----

Flush-type connector - SACC-E-M12MSS-4CON-M16/0,5 PE



1424139

<https://www.phoenixcontact.com/pc/products/1424139>

Sealing material	FKM
Contact material	CuZn
Contact surface material	Ni/Au
Contact carrier material	PA
Cable gland material	CuZn alloy, nickel-plated

Connection data

Conductor connection

Connection method	Individual wires
-------------------	------------------

Mounting

Mounting type	Front mounting
---------------	----------------

Standards and regulations

Flame resistance	in acc. to UL 1581 VW1
------------------	------------------------

M12

Standards/specifications	IEC 61076-2-111
--------------------------	-----------------

Cable / line

Cable length	0.5 m
--------------	-------

Cable structure

Cable type	UL/cUL stranded hook-up wire
Signal type/category	Power
Conductor material	Bare Cu litz wires
AWG signal line	16
Material wire insulation	mPPE
Wire diameter incl. insulation	2.2 mm
Single wire, color	Black 1, black 2, black 3, green/yellow

Ambient conditions

Halogen-free	yes
Flame resistance	in acc. to UL 1581 VW1
Ambient temperature (operation)	-25 °C ... 105 °C (Cable, flexible installation)
	-40 °C ... 85 °C (without mechanical actuation)
	-40 °C ... 85 °C (without mechanical actuation)

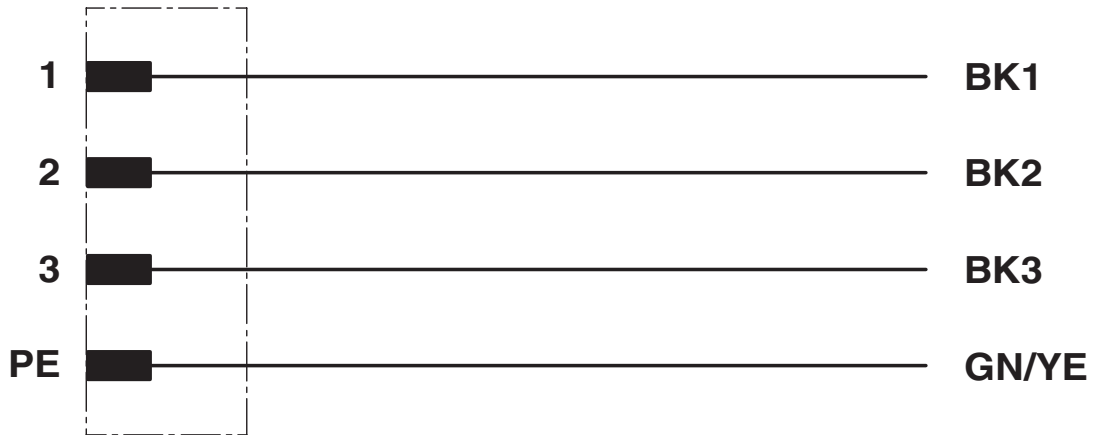
Flush-type connector - SACC-E-M12MSS-4CON-M16/0,5 PE

1424139

<https://www.phoenixcontact.com/pc/products/1424139>

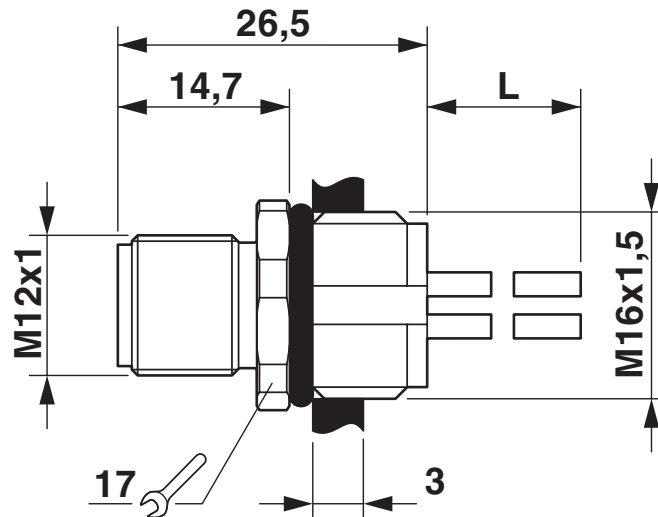
Drawings

Circuit diagram



Contact assignment

Dimensional drawing



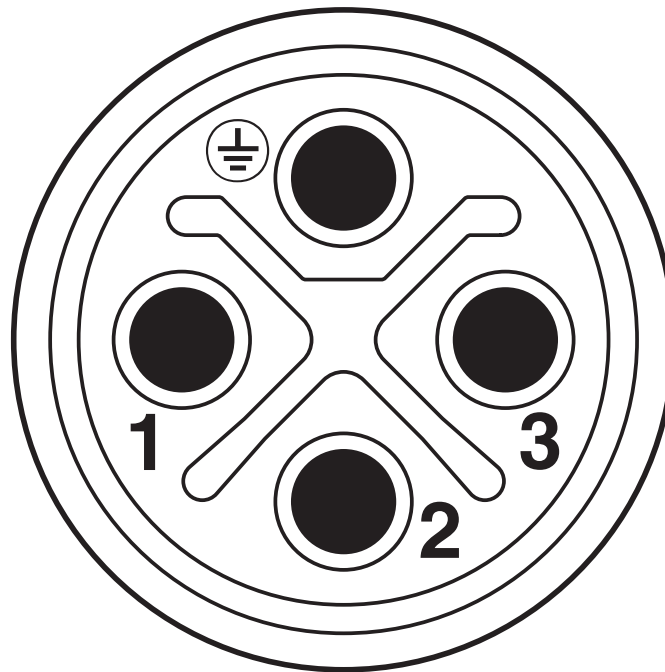
M12 flush-type plug

Flush-type connector - SACC-E-M12MSS-4CON-M16/0,5 PE

1424139

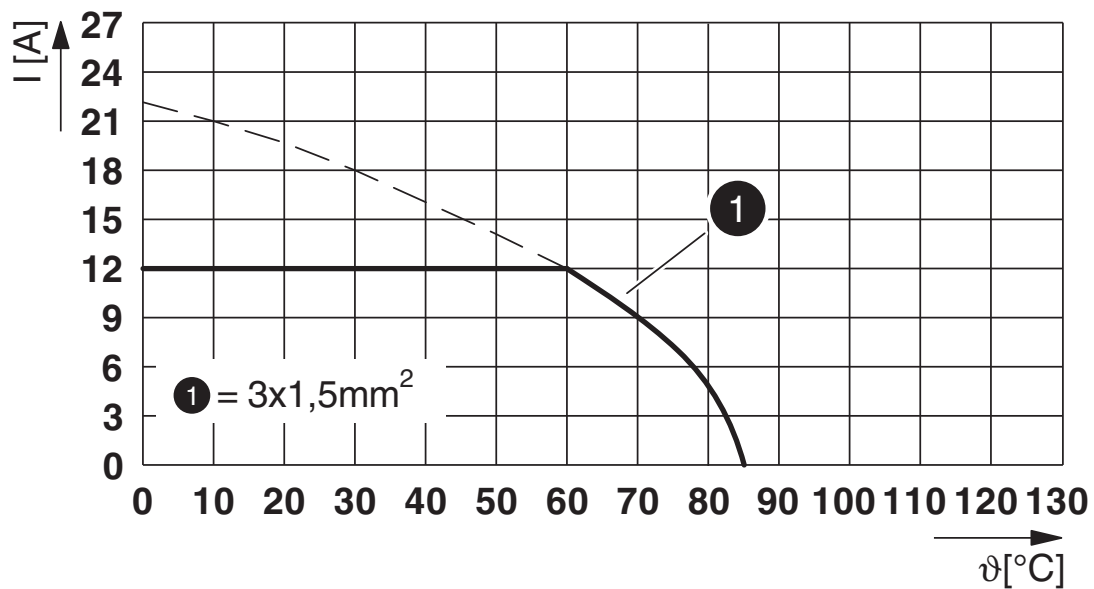
<https://www.phoenixcontact.com/pc/products/1424139>

Schematic diagram



Connector pin assignment of M12 plug, 4-pos., S-coded, view of pin side

Diagram



I = current strength, T = ambient temperature

Flush-type connector - SACC-E-M12MSS-4CON-M16/0,5 PE



1424139

<https://www.phoenixcontact.com/pc/products/1424139>

Approvals



EAC

Approval ID: B.01687



cUL Recognized

Approval ID: E468743-20190917

	Nominal Voltage U_N	Nominal Current I_N	Cross Section AWG	Cross Section mm^2
	600 V	12 A	- 16	-



UL Recognized

Approval ID: E468743-20190917

	Nominal Voltage U_N	Nominal Current I_N	Cross Section AWG	Cross Section mm^2
	600 V	12 A	- 16	-

cULus Recognized

Flush-type connector - SACC-E-M12MSS-4CON-M16/0,5 PE



1424139

<https://www.phoenixcontact.com/pc/products/1424139>

Classifications

ECLASS

ECLASS-9.0	27440102
ECLASS-10.0.1	27440102
ECLASS-11.0	27440102

ETIM

ETIM 8.0	EC002635
----------	----------

UNSPSC

UNSPSC 21.0	39121400
-------------	----------

Flush-type connector - SACC-E-M12MSS-4CON-M16/0,5 PE



1424139

<https://www.phoenixcontact.com/pc/products/1424139>

Environmental Product Compliance

REACH SVHC	Lead 7439-92-1
China RoHS	Environmentally Friendly Use Period = 50 years
	For information on hazardous substances, refer to the manufacturer's declaration available under "Downloads"

Flush-type connector - SACC-E-M12MSS-4CON-M16/0,5 PE

1424139

<https://www.phoenixcontact.com/pc/products/1424139>

Accessories

Flat nut

Flat nut - SACC-E-MU-M16 - 1504097

<https://www.phoenixcontact.com/pc/products/1504097>

Flat nut with M16 thread



Sealing cap

Sealing cap - PROT-M12 FS - 1560251

<https://www.phoenixcontact.com/pc/products/1560251>

M12 sealing cap for unoccupied M12 plugs of the sensor/actuator cable, flush-type plugs and I/O devices in the field



Flush-type connector - SACC-E-M12MSS-4CON-M16/0,5 PE



1424139

<https://www.phoenixcontact.com/pc/products/1424139>

Sealing cap

Sealing cap - PROT-M12 FS-M - 1430488

<https://www.phoenixcontact.com/pc/products/1430488>



M12 metal sealing cap for unoccupied M12 plugs of the sensor/actuator cable, flush-type plugs and I/O devices in the field

Phoenix Contact 2022 © - all rights reserved

<https://www.phoenixcontact.com>

PHOENIX CONTACT GmbH & Co. KG

Flachsmarktstraße 8

D-32825 Blomberg

+49 (0) 5235-3 00

info@phoenixcontact.com