

Conductor connectors - QPD C3PE2,5 2X6-10 BK



1423989

<https://www.phoenixcontact.com/pc/products/1423989>

Please be informed that the data shown in this PDF document is generated from our Online Catalog. Please find the complete data in the user documentation. Our General Terms of Use for Downloads are valid.



Conductor connectors, QUICKON connection, number of positions: 3+PE, 1 mm² ... 2.5 mm², 690 V, 20 A, black, With two QUICKON nuts, external cable diameter: 6 mm ... 10 mm, QUICKON fast connection

Your advantages

- Innovative and time saving - QUICKON fast connection for time saving of up to 80 % for on-site connection
- Robust throughout: housing with IP68/IP69K and IK07 protection for a wide range of applications
- Safer connection with mechanical coding to protect against mismatching, and touch-proof protection in accordance with DIN EN 0105
- Easy and safe - with the cable connector, you can repair or extend cables quickly, in combination with the connector as well as the coupling connection

Commercial Data

Item number	1423989
Packing unit	1 pc
Minimum order quantity	1 pc
Product Key	BF6CBB
Catalog Page	Page 483 (C-2-2019)
GTIN	4055626366067
Weight per Piece (including packing)	65.2 g
Weight per Piece (excluding packing)	63 g
Customs tariff number	85366990
Country of origin	PL

Conductor connectors - QPD C3PE2,5 2X6-10 BK



1423989

<https://www.phoenixcontact.com/pc/products/1423989>

Technical Data

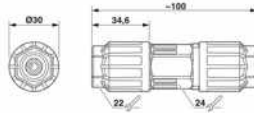
Product properties

Type	QPD 4x2,5
Product type	Cable connector
Number of positions	4
Connection profile	3+PE
Position marking	1, 2, 3, PE
Number of connections per position	1
Locking type	Screw locking
Series	QPD
Coding	Coding profile

Insulation characteristics

Overvoltage category	III
Degree of pollution	3

Dimensions

Dimensional drawing	
Width	30 mm
Height	30 mm
Length	100 mm
Diameter	30 mm

Connection data

Connection technology

Connection method	QUICKON fast connection
Connection system, internal	IDC connection
Connection technology	QUICKON connection
Frequency of connections between conductors of the same cross section	max. 10

Conductor connection

Conductor cross section solid	1 mm ² ... 2.5 mm ²
Conductor cross section flexible	1 mm ² ... 2.5 mm ²
Conductor cross section AWG	16 ... 14
Tightening torque, union nut	7 Nm

Electrical properties

Rated surge voltage (II/2)	6 kV
Rated surge voltage (III/2)	6 kV

Conductor connectors - QPD C3PE2,5 2X6-10 BK



1423989

<https://www.phoenixcontact.com/pc/products/1423989>

Rated surge voltage (III/3)	6 kV
Rated current	20 A
Contact resistance	< 3 mΩ
rated voltage (II/2)	1000 V
rated voltage (III/2)	690 V
Rated voltage (III/3)	690 V
Nominal voltage U_N	690 V AC
	690 V DC
Nominal current I_N	20 A

Mechanical properties

Mechanical data

Insertion/withdrawal cycles	max. 50
-----------------------------	---------

Material specifications

Color	black
Flammability rating according to UL 94	V0
Insulating material	PA
Contact material	Cu
Contact surface material	silver-plated
Contact carrier material	PA
Housing material	PA

Cable / line

Structure of individual litz in acc. with VDE 0295 / smallest wire diameter	VDE 0295 class 1 to 6/min. 0.15 mm
External cable diameter	6 mm ... 10 mm
Wire diameter including insulation	2 mm ... 3.6 mm
Position marking	1, 2, 3, PE
Material wire insulation	PVC/PE/TPE/rubber
Halogen-free	yes

Ambient conditions

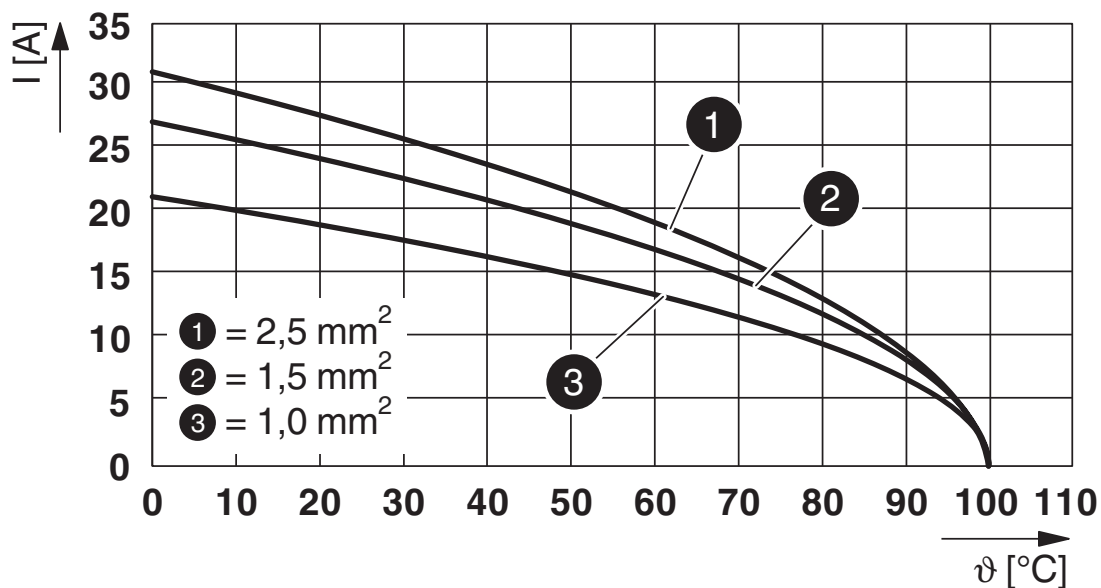
Degree of protection	IP66
	IP68 (2 m / 24 h)
	IP69K
Ambient temperature (operation)	-40 °C ... 100 °C
Temperature when conductor connected	-5 °C ... 50 °C
Ambient temperature (storage/transport)	-40 °C ... 100 °C

1423989

<https://www.phoenixcontact.com/pc/products/1423989>

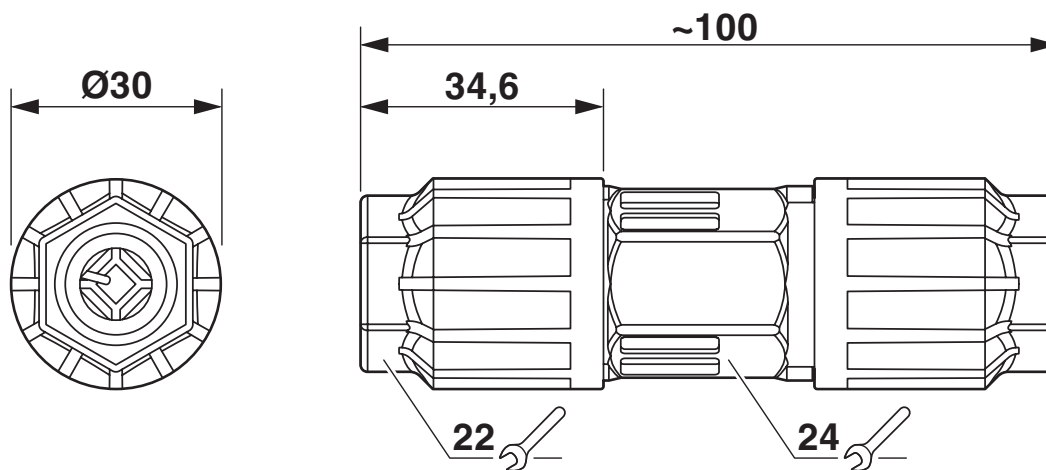
Drawings

Diagram



Derating diagram

Dimensional drawing



Dimensional drawing

Conductor connectors - QPD C3PE2,5 2X6-10 BK



1423989

<https://www.phoenixcontact.com/pc/products/1423989>

Approvals



IECEE CB Scheme

Approval ID: DE1-65875



EAC

Approval ID: RU C-DE.AI30.B.01102



EAC

Approval ID: RU C-DE.BL08.B.00511



VDE Zeichengenehmigung

Approval ID: 40029149

	Nominal Voltage U_N	Nominal Current I_N	Cross Section AWG	Cross Section mm^2
Only flexible conductors	400 V	20 A	-	1.5 - 2.5
Only rigid conductors	690 V	20 A	-	1.5 - 2.5



UL Listed

Approval ID: E468743

	Nominal Voltage U_N	Nominal Current I_N	Cross Section AWG	Cross Section mm^2
	600 V	10 A	-	- 16



cUL Listed

Approval ID: E468743

	Nominal Voltage U_N	Nominal Current I_N	Cross Section AWG	Cross Section mm^2
	600 V	10 A	- 16	-

cULus Listed

Conductor connectors - QPD C3PE2,5 2X6-10 BK



1423989

<https://www.phoenixcontact.com/pc/products/1423989>

Classifications

ECLASS

ECLASS-9.0	27440605
ECLASS-10.0.1	27440605
ECLASS-11.0	27440605

ETIM

ETIM 8.0	EC002560
----------	----------

UNSPSC

UNSPSC 21.0	39121400
-------------	----------

Conductor connectors - QPD C3PE2,5 2X6-10 BK



1423989

<https://www.phoenixcontact.com/pc/products/1423989>

Environmental Product Compliance

China RoHS	Environmentally friendly use period: unlimited = EFUP-e
	No hazardous substances above threshold values

Conductor connectors - QPD C3PE2,5 2X6-10 BK



1423989

<https://www.phoenixcontact.com/pc/products/1423989>

Accessories

Coding profile

Coding profile - CP QPD 4X2,5 - 1425950

<https://www.phoenixcontact.com/pc/products/1425950>



Coding profile red, for pushing into the QUICKON dome and connector, can be positioned in 90° steps.

Socket wrench

Socket wrench - QSS 22 - 1670206

<https://www.phoenixcontact.com/pc/products/1670206>



Allen wrench, for loosening and fastening the QUICKON union nut, WAF 22 mm

Conductor connectors - QPD C3PE2,5 2X6-10 BK

1423989

<https://www.phoenixcontact.com/pc/products/1423989>

Protective cap

Protective cap - QPD QSK 5X1,5 - 1414758

<https://www.phoenixcontact.com/pc/products/1414758>

Protective cap plastic, for QPD-QUICKON connection 5x 1.5 mm², IP50



Protective cap

Protective cap - QPD QSK BK 5X1,5 FS - 1414728

<https://www.phoenixcontact.com/pc/products/1414728>

Protective cap, plastic, for QUICKON connection, black, with retaining cord, IP68



Conductor connectors - QPD C3PE2,5 2X6-10 BK

1423989

<https://www.phoenixcontact.com/pc/products/1423989>

Closing cap

Closing cap - SEALING PLUG 10X16 RD - 1400284

<https://www.phoenixcontact.com/pc/products/1400284>



Closing cap, for threads pluggable, color: red

Panel feed-through

Panel feed-through - QPD W3PE2,5 6-10 M25 0,5 BK - 1423975

<https://www.phoenixcontact.com/pc/products/1423975>



Panel feed-through, QUICKON connection, number of positions: 3+PE, 1 mm² ... 2.5 mm², 690 V, 20 A, black, with QUICKON nut, external cable diameter: 6 mm ... 10 mm, assembly thread: M25, IDC connection (welded-on), 2.5 mm², wires cut flat at the end, cable length: 0.5 m

Conductor connectors - QPD C3PE2,5 2X6-10 BK



1423989

<https://www.phoenixcontact.com/pc/products/1423989>

Panel feed-through

Panel feed-through - QPD W3PE2,5 6-10 M25 1,0 BK - 1423974

<https://www.phoenixcontact.com/pc/products/1423974>



Panel feed-through, QUICKON connection, number of positions: 3+PE, 1 mm² ... 2.5 mm², 690 V, 20 A, black, with QUICKON nut, external cable diameter: 6 mm ... 10 mm, assembly thread: M25, IDC connection (welded-on), 2.5 mm², wires cut flat at the end, cable length: 1 m

Panel feed-through

Panel feed-through - QPD W3PE2,5 6-10 M25 FC BK - 1423976

<https://www.phoenixcontact.com/pc/products/1423976>



Panel feed-through, QUICKON connection, number of positions: 3+PE, 1 mm² ... 2.5 mm², 690 V, 20 A, black, with QUICKON nut, external cable diameter: 6 mm ... 10 mm, assembly thread: M25, IDC connection, 2.5 mm²

Conductor connectors - QPD C3PE2,5 2X6-10 BK

1423989

<https://www.phoenixcontact.com/pc/products/1423989>

Panel feed-through

Panel feed-through - QPD W3PE2,5 6-10 M25 DT BK - 1423977

<https://www.phoenixcontact.com/pc/products/1423977>



Panel feed-through, QUICKON connection, number of positions: 3+PE, 1 mm² ... 2.5 mm², 400 V, 20 A, black, with QUICKON nut, external cable diameter: 6 mm ... 10 mm, assembly thread: M25, Push-in connection, 2.5 mm²

Conductor connectors

Conductor connectors - QPD C3PE2,5 1X6-10 BK - 1423991

<https://www.phoenixcontact.com/pc/products/1423991>



Conductor connectors, QUICKON connection, number of positions: 3+PE, 1 mm² ... 2.5 mm², 690 V, 20 A, black, with one QUICKON nut, external cable diameter: 6 mm ... 10 mm, QUICKON fast connection

Conductor connectors - QPD C3PE2,5 2X6-10 BK



1423989

<https://www.phoenixcontact.com/pc/products/1423989>

T distributor

T distributor - QPD T3PE2,5 2X6-10 BK - 1424047

<https://www.phoenixcontact.com/pc/products/1424047>



T distributor, QUICKON connection, number of positions: 3+PE, 1 mm² ... 2.5 mm², 690 V, 20 A, black, With two QUICKON nuts, external cable diameter: 6 mm ... 10 mm

T distributor

T distributor - QPD T3PE2,5 3X6-10 BK - 1424045

<https://www.phoenixcontact.com/pc/products/1424045>



T distributor, QUICKON connection, number of positions: 3+PE, 1 mm² ... 2.5 mm², 690 V, 20 A, black, With three QUICKON nuts, external cable diameter: 6 mm ... 10 mm

Conductor connectors - QPD C3PE2,5 2X6-10 BK

1423989

<https://www.phoenixcontact.com/pc/products/1423989>

H distributor

H distributor - QPD H3PE2,5 4X6-10 BK - 1423971

<https://www.phoenixcontact.com/pc/products/1423971>



H distributor, QUICKON connection, number of positions: 3+PE, 1 mm² ... 2.5 mm², 690 V, 20 A, black, with four QUICKON nuts, external cable diameter: 6 mm ... 10 mm

Nut

Nut - QPD N2,5 6-10 BK - 1423993

<https://www.phoenixcontact.com/pc/products/1423993>



Nut, QUICKON connection, 1 mm² ... 2.5 mm², 690 V, 20 A, black, external cable diameter: 6 mm ... 10 mm

Conductor connectors - QPD C3PE2,5 2X6-10 BK



1423989

<https://www.phoenixcontact.com/pc/products/1423989>

Connector

Connector - QPD P3PE2,5 6-10 BK - 1423987

<https://www.phoenixcontact.com/pc/products/1423987>



Connector, QUICKON connection, number of positions: 3+PE, 1 mm² ... 2.5 mm², 690 V, 20 A, black, with QUICKON nut, external cable diameter: 6 mm ... 10 mm

Phoenix Contact 2023 © - all rights reserved

<https://www.phoenixcontact.com>

PHOENIX CONTACT GmbH & Co. KG

Flachsmarktstraße 8

D-32825 Blomberg

+49 (0) 5235-3 00

info@phoenixcontact.com