

Connector - QPD P3PE2,5 6-10 BK

1423987

<https://www.phoenixcontact.com/pc/products/1423987>

Please be informed that the data shown in this PDF document is generated from our Online Catalog. Please find the complete data in the user documentation. Our General Terms of Use for Downloads are valid.



Connector, QUICKON connection, number of positions: 3+PE, 1 mm² ... 2.5 mm², 690 V, 20 A, black, with QUICKON nut, external cable diameter: 6 mm ... 10 mm

Your advantages

- Innovative and time saving - QUICKON fast connection for time saving of up to 80 % for on-site connection
- Robust throughout: housing with IP68/IP69K and IK07 protection for a wide range of applications
- Safer connection with mechanical coding to protect against mismatching, and touch-proof protection in accordance with DIN EN 0105
- Easy maintenance - the connectors enable fast device replacement and simplify startup thanks to pre-assembled cables

Connector - QPD P3PE2,5 6-10 BK



1423987

<https://www.phoenixcontact.com/pc/products/1423987>

Commercial Data

Item number	1423987
Packing unit	1 pc
Minimum order quantity	1 pc
Product Key	BF6BBB
GTIN	4055626366043
Weight per Piece (including packing)	50.8 g
Weight per Piece (excluding packing)	47.8 g
Customs tariff number	85366990
Country of origin	PL

Connector - QPD P3PE2,5 6-10 BK



1423987

<https://www.phoenixcontact.com/pc/products/1423987>

Technical Data

Product properties

Type	QPD 4x2,5
Product type	Installation connector
Number of positions	4
Connection profile	3+PE
Position marking	1, 2, 3, PE
Number of connections per position	1
Locking type	Screw locking
Series	QPD
Coding	Coding profile

Insulation characteristics

Overvoltage category	III
Degree of pollution	3

Electrical properties

Rated surge voltage (II/2)	6 kV
Rated surge voltage (III/2)	6 kV
Rated surge voltage (III/3)	6 kV
Rated current	20 A
Contact resistance	< 4 mΩ
rated voltage (II/2)	1000 V
rated voltage (III/2)	690 V
Rated voltage (III/3)	690 V
Nominal voltage U_N	690 V AC 690 V DC
Nominal current I_N	20 A

Connection data

Connection technology

Connection technology	QUICKON connection
Connection system, internal	IDC connection
Frequency of connections between conductors of the same cross section	max. 10

Conductor connection

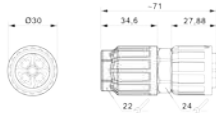
Conductor cross section solid	1 mm ² ... 2.5 mm ²
Conductor cross section flexible	1 mm ² ... 2.5 mm ²
Conductor cross section AWG	16 ... 14
Tightening torque, union nut	7 Nm

Dimensions

Connector - QPD P3PE2,5 6-10 BK

1423987

<https://www.phoenixcontact.com/pc/products/1423987>

Dimensional drawing	
Width	30 mm
Height	30 mm
Length	71 mm
Diameter	30 mm

Material specifications

Color	black
Flammability rating according to UL 94	V0
Insulating material	PA
Contact material	Cu
Contact surface material	silver-plated
Contact carrier material	PA
Housing material	PA

Connector

Insertion/withdrawal cycles	max. 50
-----------------------------	---------

Cable / line

Cable structure

Structure of individual litz in acc. with VDE 0295 / smallest wire diameter	VDE 0295 class 1 to 6/min. 0.15 mm
External cable diameter	6 mm ... 10 mm
Material wire insulation	PVC/PE/TPE/rubber
Position marking	1, 2, 3, PE
Wire diameter including insulation	2 mm ... 3.6 mm

Ambient conditions

Halogen-free	yes
--------------	-----

Environmental and real-life conditions

Ambient conditions

Degree of protection	IP66
	IP68 (2 m / 24 h)
	IP69K
Ambient temperature (operation)	-40 °C ... 100 °C
Temperature when conductor connected	-5 °C ... 50 °C
Ambient temperature (storage/transport)	-40 °C ... 100 °C

Connector - QPD P3PE2,5 6-10 BK

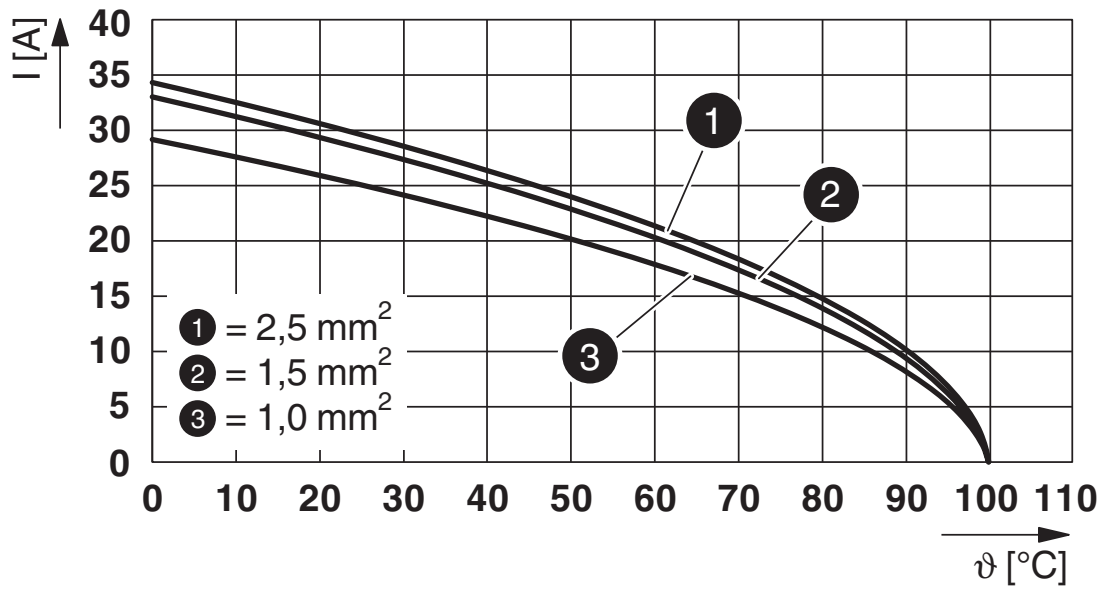


1423987

<https://www.phoenixcontact.com/pc/products/1423987>

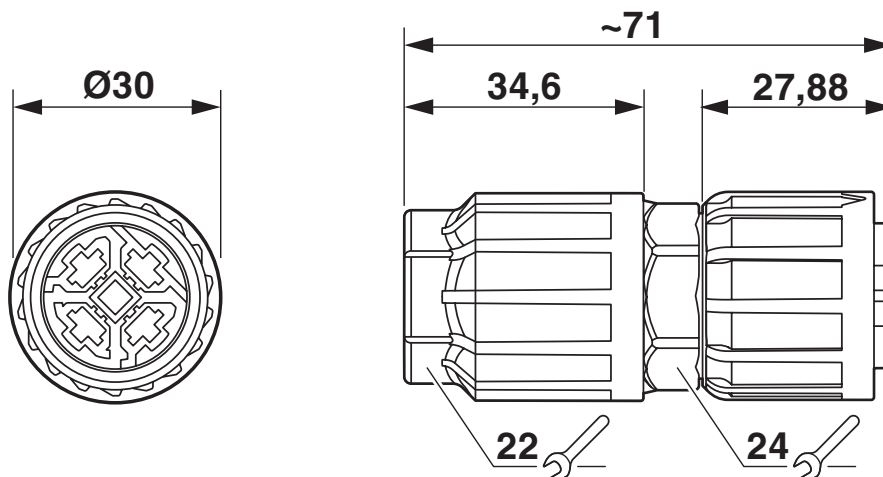
Drawings

Diagram



Derating diagram

Dimensional drawing



Connector - QPD P3PE2,5 6-10 BK



1423987

<https://www.phoenixcontact.com/pc/products/1423987>

Approvals



IECEE CB Scheme
Approval ID: DE1-65875



EAC
Approval ID: RU C-DE.AI30.B.01102



VDE Zeichengenehmigung
Approval ID: 40029149

	Nominal Voltage U_N	Nominal Current I_N	Cross Section AWG	Cross Section mm^2
Only flexible conductors	400 V	20 A	-	1.5 - 2.5
Only rigid conductors	690 V	20 A	-	1.5 - 2.5



UL Listed
Approval ID: E468743

	Nominal Voltage U_N	Nominal Current I_N	Cross Section AWG	Cross Section mm^2
	600 V	10 A	-	- 16



cUL Listed
Approval ID: E468743

	Nominal Voltage U_N	Nominal Current I_N	Cross Section AWG	Cross Section mm^2
	600 V	10 A	- 16	-

cULus Listed

Connector - QPD P3PE2,5 6-10 BK



1423987

<https://www.phoenixcontact.com/pc/products/1423987>

Classifications

ECLASS

ECLASS-9.0	27440605
ECLASS-10.0.1	27440605
ECLASS-11.0	27440605

ETIM

ETIM 8.0	EC002560
----------	----------

UNSPSC

UNSPSC 21.0	39121400
-------------	----------

Connector - QPD P3PE2,5 6-10 BK



1423987

<https://www.phoenixcontact.com/pc/products/1423987>

Environmental Product Compliance

China RoHS	Environmentally Friendly Use Period = 50 years For information on hazardous substances, refer to the manufacturer's declaration available under "Downloads"
------------	--

Connector - QPD P3PE2,5 6-10 BK

1423987

<https://www.phoenixcontact.com/pc/products/1423987>

Mandatory Accessories

Panel feed-through

Panel feed-through - QPD W3PE2,5 6-10 M25 0,5 BK - 1423975

<https://www.phoenixcontact.com/pc/products/1423975>



Panel feed-through, QUICKON connection, number of positions: 3+PE, 1 mm² ... 2.5 mm², 690 V, 20 A, black, with QUICKON nut, external cable diameter: 6 mm ... 10 mm, assembly thread: M25, IDC connection (welded-on), 2.5 mm², wires cut flat at the end, cable length: 0.5 m

Panel feed-through

Panel feed-through - QPD W3PE2,5 6-10 M25 1,0 BK - 1423974

<https://www.phoenixcontact.com/pc/products/1423974>



Panel feed-through, QUICKON connection, number of positions: 3+PE, 1 mm² ... 2.5 mm², 690 V, 20 A, black, with QUICKON nut, external cable diameter: 6 mm ... 10 mm, assembly thread: M25, IDC connection (welded-on), 2.5 mm², wires cut flat at the end, cable length: 1 m

Connector - QPD P3PE2,5 6-10 BK

1423987

<https://www.phoenixcontact.com/pc/products/1423987>

Panel feed-through

Panel feed-through - QPD W3PE2,5 6-10 M25 FC BK - 1423976

<https://www.phoenixcontact.com/pc/products/1423976>



Panel feed-through, QUICKON connection, number of positions: 3+PE, 1 mm² ... 2.5 mm², 690 V, 20 A, black, with QUICKON nut, external cable diameter: 6 mm ... 10 mm, assembly thread: M25, IDC connection, 2.5 mm²

Panel feed-through

Panel feed-through - QPD W3PE2,5 6-10 M25 DT BK - 1423977

<https://www.phoenixcontact.com/pc/products/1423977>



Panel feed-through, QUICKON connection, number of positions: 3+PE, 1 mm² ... 2.5 mm², 400 V, 20 A, black, with QUICKON nut, external cable diameter: 6 mm ... 10 mm, assembly thread: M25, Push-in connection, 2.5 mm²

Connector - QPD P3PE2,5 6-10 BK

1423987

<https://www.phoenixcontact.com/pc/products/1423987>

Conductor connectors

Conductor connectors - QPD C3PE2,5 1X6-10 BK - 1423991

<https://www.phoenixcontact.com/pc/products/1423991>



Conductor connectors, QUICKON connection, number of positions: 3+PE, 1 mm² ... 2.5 mm², 690 V, 20 A, black, with one QUICKON nut, external cable diameter: 6 mm ... 10 mm, QUICKON fast connection

Conductor connectors

Conductor connectors - QPD C3PE2,5 2X6-10 BK - 1423989

<https://www.phoenixcontact.com/pc/products/1423989>



Conductor connectors, QUICKON connection, number of positions: 3+PE, 1 mm² ... 2.5 mm², 690 V, 20 A, black, With two QUICKON nuts, external cable diameter: 6 mm ... 10 mm, QUICKON fast connection

Connector - QPD P3PE2,5 6-10 BK

1423987

<https://www.phoenixcontact.com/pc/products/1423987>

T distributor

T distributor - QPD T3PE2,5 2X6-10 BK - 1424047

<https://www.phoenixcontact.com/pc/products/1424047>



T distributor, QUICKON connection, number of positions: 3+PE, 1 mm² ... 2.5 mm², 690 V, 20 A, black, With two QUICKON nuts, external cable diameter: 6 mm ... 10 mm

T distributor

T distributor - QPD T3PE2,5 3X6-10 BK - 1424045

<https://www.phoenixcontact.com/pc/products/1424045>



T distributor, QUICKON connection, number of positions: 3+PE, 1 mm² ... 2.5 mm², 690 V, 20 A, black, With three QUICKON nuts, external cable diameter: 6 mm ... 10 mm

Connector - QPD P3PE2,5 6-10 BK

1423987

<https://www.phoenixcontact.com/pc/products/1423987>

H distributor

H distributor - QPD H3PE2,5 4X6-10 BK - 1423971

<https://www.phoenixcontact.com/pc/products/1423971>



H distributor, QUICKON connection, number of positions: 3+PE, 1 mm² ... 2.5 mm², 690 V, 20 A, black, with four QUICKON nuts, external cable diameter: 6 mm ... 10 mm

Panel feed-through

Panel feed-through - QPD W3PE2,5 M25 0,5 BK - 1423983

<https://www.phoenixcontact.com/pc/products/1423983>



Panel feed-through, QUICKON connection, number of positions: 3+PE, 1 mm² ... 2.5 mm², 690 V, 20 A, black, without QUICKON nut, assembly thread: M25, IDC connection (welded-on), 2.5 mm², wires cut flat at the end, cable length: 0.5 m

Connector - QPD P3PE2,5 6-10 BK

1423987

<https://www.phoenixcontact.com/pc/products/1423987>

Panel feed-through

Panel feed-through - QPD W3PE2,5 M25 1,0 BK - 1423984

<https://www.phoenixcontact.com/pc/products/1423984>



Panel feed-through, QUICKON connection, number of positions: 3+PE, 1 mm² ... 2.5 mm², 690 V, 20 A, black, without QUICKON nut, assembly thread: M25, IDC connection (welded-on), 2.5 mm², wires cut flat at the end, cable length: 1 m

Panel feed-through

Panel feed-through - QPD W3PE2,5 M25 FC BK - 1423986

<https://www.phoenixcontact.com/pc/products/1423986>



Panel feed-through, QUICKON connection, number of positions: 3+PE, 1 mm² ... 2.5 mm², 690 V, 20 A, black, without QUICKON nut, assembly thread: M25, Spade connection, 2.5 mm²

Connector - QPD P3PE2,5 6-10 BK

1423987

<https://www.phoenixcontact.com/pc/products/1423987>

Panel feed-through

Panel feed-through - QPD W3PE2,5 M25 DT BK - 1423985

<https://www.phoenixcontact.com/pc/products/1423985>



Panel feed-through, QUICKON connection, number of positions: 3+PE, 1 mm² ... 2.5 mm², 400 V, 20 A, black, without QUICKON nut, assembly thread: M25, Push-in connection, 2.5 mm²

H distributor

H distributor - QPD H3PE2,5 BK - 1423973

<https://www.phoenixcontact.com/pc/products/1423973>



H distributor, QUICKON connection, number of positions: 3+PE, 1 mm² ... 2.5 mm², 690 V, 20 A, black, without QUICKON nut

Accessories

Connector - QPD P3PE2,5 6-10 BK

1423987

<https://www.phoenixcontact.com/pc/products/1423987>

Coding profile

Coding profile - CP QPD 4X2,5 - 1425950

<https://www.phoenixcontact.com/pc/products/1425950>



Coding profile red, for pushing into the QUICKON dome and connector, can be positioned in 90° steps.

Socket wrench

Socket wrench - QSS 22 - 1670206

<https://www.phoenixcontact.com/pc/products/1670206>



Allen wrench, for loosening and fastening the QUICKON union nut, WAF 22 mm

Connector - QPD P3PE2,5 6-10 BK

1423987

<https://www.phoenixcontact.com/pc/products/1423987>

Protective cap

Protective cap - QPD PSK 5X1,5 - 1414759

<https://www.phoenixcontact.com/pc/products/1414759>



Protective cap plastic, for 5x 1.5 mm² QPD connector, IP50.

Closing cap

Closing cap - SEALING PLUG 10X16 RD - 1400284

<https://www.phoenixcontact.com/pc/products/1400284>



Closing cap, material: PA, for threads pluggable, color: red

Connector - QPD P3PE2,5 6-10 BK



1423987

<https://www.phoenixcontact.com/pc/products/1423987>

Nut

Nut - QPD N2,5 6-10 BK - 1423993

<https://www.phoenixcontact.com/pc/products/1423993>



Nut, QUICKON connection, 1 mm² ... 2.5 mm², 690 V, 20 A, black, external cable diameter: 6 mm ... 10 mm

Phoenix Contact 2022 © - all rights reserved

<https://www.phoenixcontact.com>

PHOENIX CONTACT GmbH & Co. KG

Flachsmarktstraße 8

D-32825 Blomberg

+49 (0) 5235-3 00

info@phoenixcontact.com