

Housing - HC-EVO-B06-SHWS-2SSM25-PLRBK



1421229

<https://www.phoenixcontact.com/pc/products/1421229>

Please be informed that the data shown in this PDF document is generated from our Online Catalog. Please find the complete data in the user documentation. Our General Terms of Use for Downloads are valid.



Box mounting bases B6, with single locking latch, material: PA, cable outlets: 2, lateral, 2x M25, height: 74 mm, cable gland: none, Standard, including 2x reducing adapter

Your advantages

- Lower costs than metal version
- Low weight
- Lower risk of condensation

Housing - HC-EVO-B06-SHWS-2SSM25-PLRBK



1421229

<https://www.phoenixcontact.com/pc/products/1421229>

Commercial Data

Item number	1421229
Packing unit	1 pc
Minimum order quantity	1 pc
Product Key	BF7APL
Catalog Page	Page 598 (C-2-2019)
GTIN	4055626264387
Weight per Piece (including packing)	147.3 g
Weight per Piece (excluding packing)	147.3 g
Customs tariff number	85389099
Country of origin	PL

1421229

<https://www.phoenixcontact.com/pc/products/1421229>

Technical Data

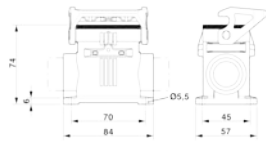
Notes

General	For contact inserts HC-B6, BB10, DD24, M
---------	--

Product properties

Type	B6
Product type	Housing with locking latch
Application	Standard
No. of cable outlets	2
Type of the screw connection	2x M25
Housing type	Box mounting bases
Locking type	with single locking latch
Cable outlet	lateral
Pg screw connection	none

Dimensions

Dimensional drawing	
Width	57 mm
Height	74 mm
Length	84 mm
Hole diameter	5.5 mm

Material specifications

Color	black
Flammability rating according to UL 94	V0 (Housing) V0 (Interlock)
Sealing material	NBR (profile gasket)
Locking latch material	PA
Impact strength	IK08
Housing material	PA

Ambient conditions

Degree of protection	IP66
Degree of protection	12 (UL 50e)
Impact strength	IK08
Ambient temperature (operation)	-40 °C ... 125 °C

Mechanical properties

Housing - HC-EVO-B06-SHWS-2SSM25-PLRBK



1421229

<https://www.phoenixcontact.com/pc/products/1421229>

Mechanical data

Type of the screw connection	2x M25
Locking type	Latch

Mounting

Assembly instructions	Two plastic reductions M32 to M25 are provided
	One of the two openings for the screw connections is sealed but can be broken open using a screwdriver.

Housing - HC-EVO-B06-SHWS-2SSM25-PLRBK

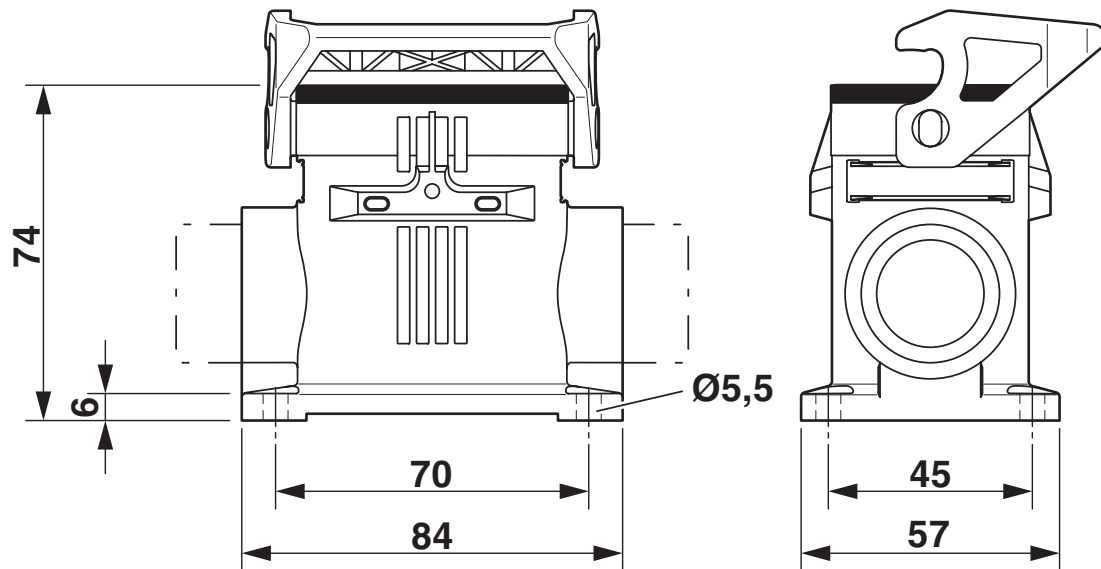


1421229

<https://www.phoenixcontact.com/pc/products/1421229>

Drawings

Dimensional drawing



Dimensional drawing

1421229

<https://www.phoenixcontact.com/pc/products/1421229>

Approvals

DNV

Approval ID: TAE000037S



cUL Recognized

Approval ID: E255026



UL Recognized

Approval ID: E255026



EAC

Approval ID: RU C-DE.AI30.B.01102



EAC

Approval ID: RU C-DE.BL08.B.00511

cULus Recognized

1421229

<https://www.phoenixcontact.com/pc/products/1421229>

Classifications

ECLASS

ECLASS-9.0	27440202
ECLASS-10.0.1	27440202
ECLASS-11.0	27440202

ETIM

ETIM 8.0	EC000437
----------	----------

UNSPSC

UNSPSC 21.0	31261500
-------------	----------

1421229

<https://www.phoenixcontact.com/pc/products/1421229>

Environmental Product Compliance

China RoHS	Environmentally friendly use period: unlimited = EFUP-e
	No hazardous substances above threshold values

1421229

<https://www.phoenixcontact.com/pc/products/1421229>

Accessories

Cable gland

Cable gland - G-INS-M25-M68N-PNES-BK - 1411134

<https://www.phoenixcontact.com/pc/products/1411134>



Cable gland, cable gland material: PA, external cable diameter 11 mm ... 17 mm, shielding: no, connecting thread: M25 x 1.5, color: jet black RAL 9005

Screw plug

Screw plug - A-INSP-M25-65N-P-BK - 1415207

<https://www.phoenixcontact.com/pc/products/1415207>



Screw plug, material: PA, connecting thread: M25 x 1.5, color: jet black RAL 9005, with O-ring

Housing - HC-EVO-B06-SHWS-2SSM25-PLRBK



1421229

<https://www.phoenixcontact.com/pc/products/1421229>

Housing brackets

Housing brackets - HC-B06-SL-PLBK - 1407697

<https://www.phoenixcontact.com/pc/products/1407697>



Replacement single locking latch for HEAVYCON EVO housing type B6, PA

Protective cover

Protective cover - HC-B06-BC-HI-PLBK - 1407692

<https://www.phoenixcontact.com/pc/products/1407692>

Protective cover B6, for single locking latch, protective cover material: PC, height: 19 mm, seal: no



Housing - HC-EVO-B06-SHWS-2SSM25-PLRBK



1421229

<https://www.phoenixcontact.com/pc/products/1421229>

Profile gasket

Profile gasket - HC-B06-SP-RBK - 1407706

<https://www.phoenixcontact.com/pc/products/1407706>

Profile gasket for HEAVYCON EVO supporting base element type B6



Snap-in markers

Snap-in markers - US-EMP (20X9) - 0829439

<https://www.phoenixcontact.com/pc/products/0829439>

Snap-in markers, Card, white, unlabeled, can be labeled with: BLUEMARK ID COLOR, BLUEMARK ID, THERMOMARK PRIME, THERMOMARK CARD 2.0, THERMOMARK CARD, mounting type: snapped, lettering field size: 20 x 9 mm, Number of individual labels: 70



Phoenix Contact 2022 © - all rights reserved
<https://www.phoenixcontact.com>

PHOENIX CONTACT GmbH & Co. KG
Flachsmarktstraße 8
D-32825 Blomberg
+49 (0) 5235-3 00
info@phoenixcontact.com