

Flush-type connector - SACC-CI-M12MSK-4PE-L180 THR R



1420830

<https://www.phoenixcontact.com/pc/products/1420830>

Please be informed that the data shown in this PDF document is generated from our Online Catalog. Please find the complete data in the user documentation. Our General Terms of Use for Downloads are valid.



Flush-type connector, Power, 5-position, Plug, straight, K - Power, PCB mounting, THR solder connection

Your advantages

- For compact devices: transmit high power in a confined space
- Reduced mounting costs thanks to two-piece device connector
- Packaging available for automated pick and place assembly
- All common pin assignments and codings available
- Easy device integration, thanks to mechanical port screw connections with threaded fastening
- Additional gasket for the device when not plugged in

Flush-type connector - SACC-CI-M12MSK-4PE-L180 THR R



1420830

<https://www.phoenixcontact.com/pc/products/1420830>

Commercial Data

| | |
|--------------------------------------|--------------------------------|
| Item number | 1420830 |
| Packing unit | 60 pc |
| Minimum order quantity | 60 pc |
| Note | Made to Order (non-returnable) |
| Product Key | ABQEAC |
| GTIN | 4055626280578 |
| Weight per Piece (including packing) | 11.065 g |
| Weight per Piece (excluding packing) | 11.065 g |
| Customs tariff number | 85366990 |
| Country of origin | DE |

Flush-type connector - SACC-CI-M12MSK-4PE-L180 THR R



1420830

<https://www.phoenixcontact.com/pc/products/1420830>

Technical Data

Notes

| | |
|--------------------|--|
| Notes on operation | The electrical and mechanical data specified assume that the connector pair is correctly locked and mounted. If the connector is unlocked and if there is a danger of contamination, the connector must be sealed using a protective cap > IP54. Influences arising from litz wires, cables or PCB assembly must also be taken into consideration. |
|--------------------|--|

Product properties

| | |
|---------------------|----------------|
| Product type | Contact insert |
| Number of positions | 5 |
| Coding | K - Power |

Insulation characteristics

| | |
|----------------------|-----|
| Overvoltage category | III |
| Degree of pollution | 3 |

Electrical properties

| | |
|-----------------------|-------|
| Rated surge voltage | 6 kV |
| Nominal voltage U_N | 630 V |
| Nominal current I_N | 16 A |

Interfaces

| | |
|----------------------|-------|
| Signal type/category | Power |
|----------------------|-------|

Material specifications

| | |
|--|------|
| Flammability rating according to UL 94 | V0 |
| Sealing material | FKM |
| Contact material | CuZn |
| Contact surface material | Au |
| Contact carrier material | PA4T |

Connector

| | |
|-----------------------------|-------|
| Insertion/withdrawal cycles | > 100 |
|-----------------------------|-------|

Header 1

| | |
|-------------------|-----------|
| Head design | Plug |
| Head cable outlet | straight |
| Coding | K - Power |

Cable / line

Cable structure

| | |
|----------------------|-------|
| Signal type/category | Power |
|----------------------|-------|

Flush-type connector - SACC-CI-M12MSK-4PE-L180 THR R



1420830

<https://www.phoenixcontact.com/pc/products/1420830>

Environmental and real-life conditions

Ambient conditions

| | |
|--|--|
| Degree of protection (when plugged in) | IP67 (correctly plugged in and locked) |
| Degree of protection | IP67 (correctly plugged in and locked) |
| Degree of protection | IP67, when plugged in |
| Ambient temperature (operation) | -25 °C ... 105 °C |
| | -40 °C ... 105 °C (without mechanical actuation) |

Standards and regulations

M12

| | |
|--------------------------|-----------------|
| Standards/specifications | IEC 61076-2-111 |
|--------------------------|-----------------|

Mounting

| | |
|---------------|--------------|
| Mounting type | PCB mounting |
|---------------|--------------|

Packaging specifications

| | |
|-------------------|-------------------|
| Type of packaging | Belt |
| Delivery state | with assembly pad |

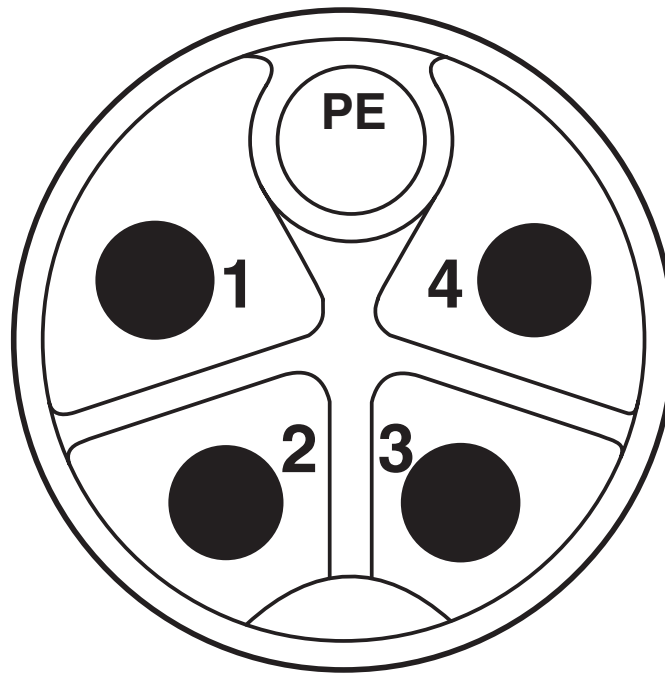
Flush-type connector - SACC-CI-M12MSK-4PE-L180 THR R

1420830

<https://www.phoenixcontact.com/pc/products/1420830>

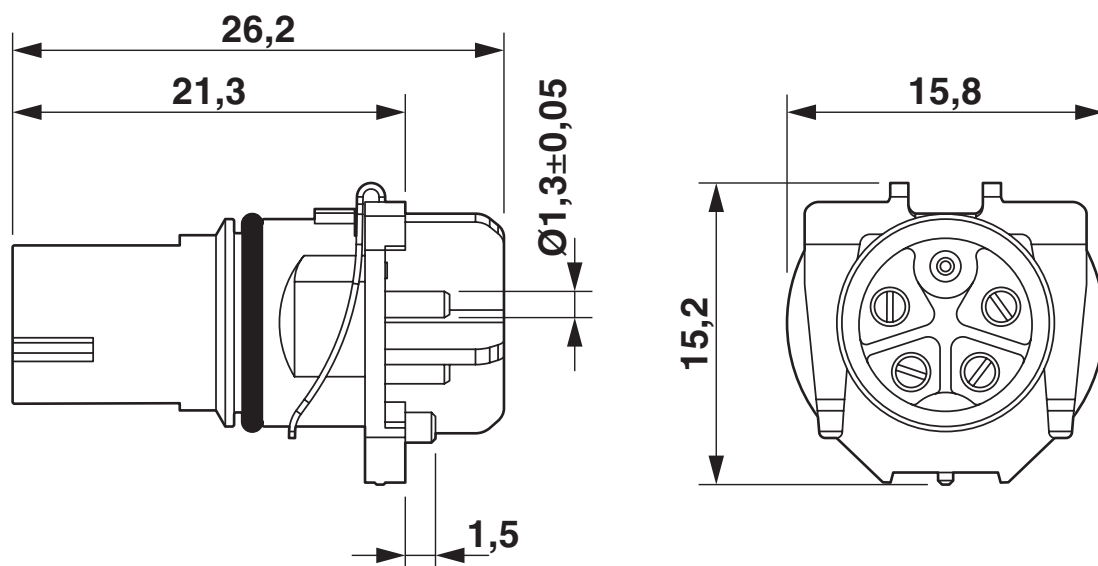
Drawings

Schematic diagram



Connector pin assignment of M12 plug, 5-pos., K-coded, pin side view

Dimensional drawing



M12 flush-type connector

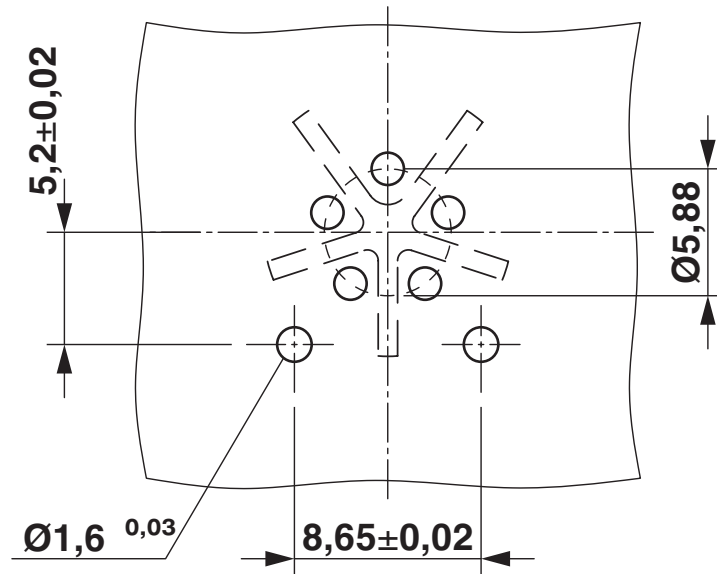
Flush-type connector - SACC-CI-M12MSK-4PE-L180 THR R



1420830

<https://www.phoenixcontact.com/pc/products/1420830>

Drilling plan/solder pad geometry



Soldering pad geometry

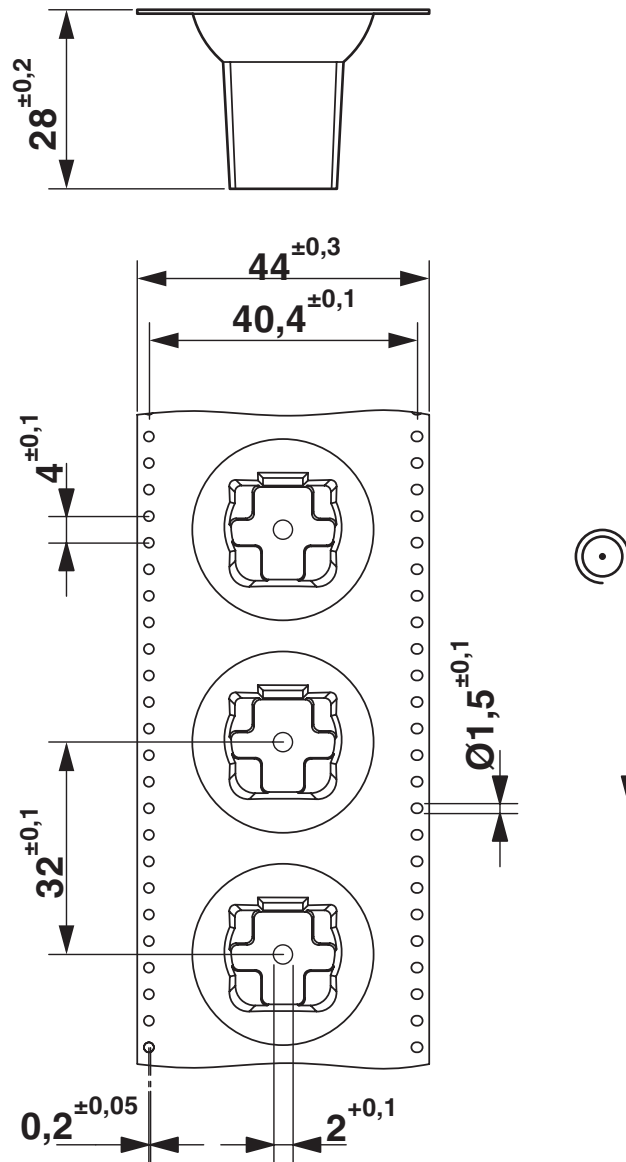
Flush-type connector - SACC-CI-M12MSK-4PE-L180 THR R



1420830

<https://www.phoenixcontact.com/pc/products/1420830>

Dimensional drawing



THR tape-on-reel packing

Flush-type connector - SACC-CI-M12MSK-4PE-L180 THR R



1420830

<https://www.phoenixcontact.com/pc/products/1420830>

Approvals



EAC

Approval ID: B.01687



cULus Recognized

Approval ID: E468743-20180113

| | Nominal Voltage U_N | Nominal Current I_N | Cross Section AWG | Cross Section mm^2 |
|--|-----------------------|-----------------------|-------------------|-----------------------------|
| | 600 V | 16 A | - | - |

Flush-type connector - SACC-CI-M12MSK-4PE-L180 THR R



1420830

<https://www.phoenixcontact.com/pc/products/1420830>

Classifications

ECLASS

| | |
|---------------|----------|
| ECLASS-9.0 | 27440103 |
| ECLASS-10.0.1 | 27440109 |
| ECLASS-11.0 | 27440109 |

ETIM

| | |
|----------|----------|
| ETIM 8.0 | EC003569 |
|----------|----------|

UNSPSC

| | |
|-------------|----------|
| UNSPSC 21.0 | 39121400 |
|-------------|----------|

Flush-type connector - SACC-CI-M12MSK-4PE-L180 THR R



1420830

<https://www.phoenixcontact.com/pc/products/1420830>

Environmental Product Compliance

| | |
|------------|---|
| China RoHS | Environmentally friendly use period: unlimited = EFUP-e |
| | No hazardous substances above threshold values |

Flush-type connector - SACC-CI-M12MSK-4PE-L180 THR R



1420830

<https://www.phoenixcontact.com/pc/products/1420830>

Accessories

Sample set

Sample set - SACC-CIM12MSK4PEL180THRSAMPLE - 1423415

<https://www.phoenixcontact.com/pc/products/1423415>



Sample set, Power, 5-position, Plug, straight, K - Power, PCB mounting, THR solder connection

Housing screw connection

Housing screw connection - SACC-FP-M-M12/M14 THR PW - 1420824

<https://www.phoenixcontact.com/pc/products/1420824>



Housing screw connection with M12 standard thread, with O-ring, for 2-piece K, L, and M-coded THR contact carriers

Flush-type connector - SACC-CI-M12MSK-4PE-L180 THR R

1420830

<https://www.phoenixcontact.com/pc/products/1420830>

Housing screw connection

Housing screw connection - SACC-BP-M-M12/M15-6-THR PW - 1420826

<https://www.phoenixcontact.com/pc/products/1420826>



Housing screw connection with M12 standard thread, with O-ring, for 2-piece K, L, and M-coded THR contact carriers

Housing screw connection

Housing screw connection - SACC-FP-M-M12-THR PW PP - 1108115

<https://www.phoenixcontact.com/pc/products/1108115>



Housing screw connection with M12 standard thread, push-pull, with O-ring, for 2-piece K-, L-, and M-coded THR contact carriers

Flush-type connector - SACC-CI-M12MSK-4PE-L180 THR R



1420830

<https://www.phoenixcontact.com/pc/products/1420830>

Housing screw connection

Housing screw connection - SACC-BP-M-M12-THR PW PP - 1108101

<https://www.phoenixcontact.com/pc/products/1108101>



Housing screw connection with M12 standard thread, push-pull, with O-ring, for 2-piece K-, L-, and M-coded THR contact carriers

Phoenix Contact 2022 © - all rights reserved

<https://www.phoenixcontact.com>

PHOENIX CONTACT GmbH & Co. KG

Flachsmarktstraße 8

D-32825 Blomberg

+49 (0) 5235-3 00

info@phoenixcontact.com