

# Housing - HC-ADV-B16-HHWH-BLANK-ELC-AL



1420054

<https://www.phoenixcontact.com/pc/products/1420054>

Please be informed that the data shown in this PDF document is generated from our Online Catalog. Please find the complete data in the user documentation. Our General Terms of Use for Downloads are valid.

---



Sleeve housing B16, with screw locking, material: Die-cast aluminum, salt water resistant, variable, height: 93.7 mm, cable gland: none, Offshore/EMC, Without thread opening for screw connection, conductive seal (EMC properties)

---

# Housing - HC-ADV-B16-HHWH-BLANK-ELC-AL



1420054

<https://www.phoenixcontact.com/pc/products/1420054>

## Commercial Data

Item number	1420054
Packing unit	1 pc
Minimum order quantity	1 pc
Product Key	BF7APH
Catalog Page	Page 617 (C-2-2019)
GTIN	4055626201498
Weight per Piece (including packing)	321 g
Weight per Piece (excluding packing)	321 g
Customs tariff number	85389099
Country of origin	CN

1420054

<https://www.phoenixcontact.com/pc/products/1420054>

## Technical Data

### Product properties

Type	B16
Product type	Housing with screw locking
Application	Offshore/EMC
Fixing screws	M6 (screw head: 5 mm Allen screw)
Housing type	Sleeve housing
Locking type	with screw locking
Shielded	yes
Cable outlet	variable
Pg screw connection	none

### Dimensions

Dimensional drawing	
Width	57 mm
Height	93.7 mm
Length	125.4 mm

### Installation dimensions

Width of the assembly cutout	35 mm
Length of the assembly cutout	86 mm

### Material specifications

Color	gray aluminum
Sealing material	NBR, conductive
Housing surface material	uncoated
Locking latch material	Stainless steel
Impact strength	IK09
Housing material	Die-cast aluminum, salt water resistant

### Ambient conditions

Degree of protection	IP66
	IP68 (0.2 bar/24 h)
	IP69 (ISO 20653:2013-02)
Degree of protection	4 (UL 50e)
	4X (UL 50e)
	12 (UL 50e)
Impact strength	IK09
Ambient temperature (operation)	-40 °C ... 125 °C

1420054

<https://www.phoenixcontact.com/pc/products/1420054>

## Mechanical properties

### Mechanical data

Locking type	Screw
--------------	-------

## Mounting

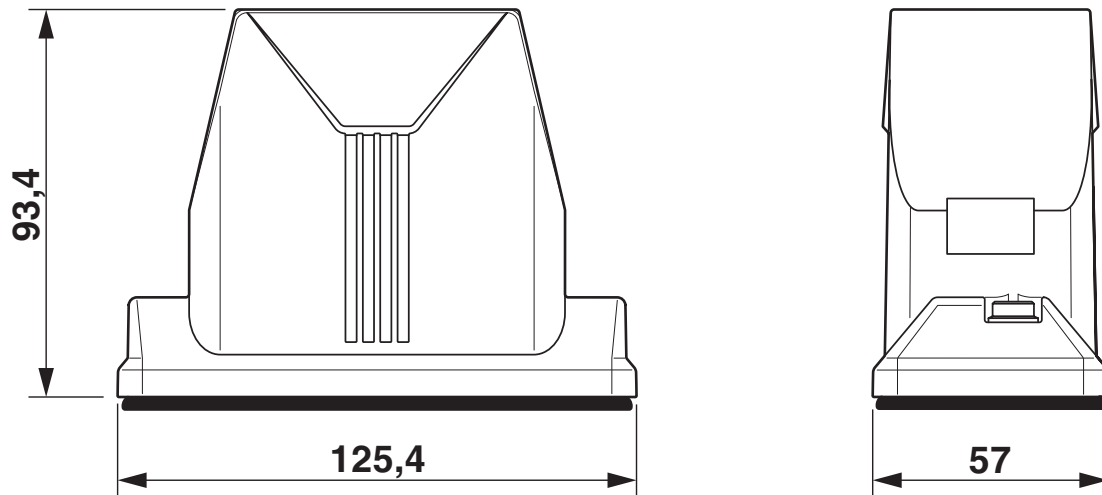
Assembly instructions	In order to guarantee that the ground conductor contact functions even when plugged in at an angle, the two panel mounting flanges must have sufficient electrical contact with the metal mounting panel.
	To ensure optimum shielding, any insulating power coating must be removed from the profile gasket area on the control cabinet panel. Tightening torque of locking screw: 3 Nm.
Fixing screws	M6 (screw head: 5 mm Allen screw)

1420054

<https://www.phoenixcontact.com/pc/products/1420054>

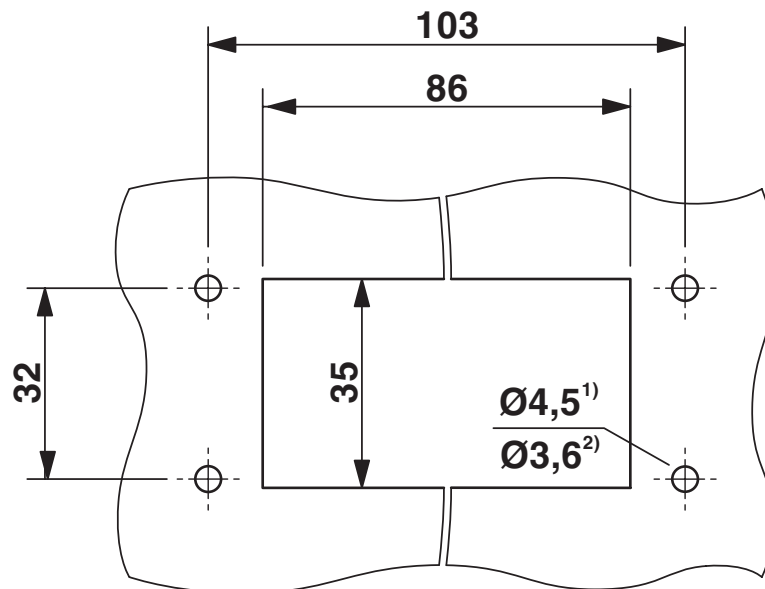
## Drawings

Dimensional drawing



Dimensional drawing

Dimensional drawing



### Mounting cutout

1) when M4 screws are used

2) when self-tapping Torx® screws are used (Torx® 20, M4)

1420054

<https://www.phoenixcontact.com/pc/products/1420054>

## Approvals

**DNV**

Approval ID: TAE000037S



**cUL Recognized**

Approval ID: E255026



**UL Recognized**

Approval ID: E255026



**EAC**

Approval ID: RU C-DE.AI30.B.01102



**EAC**

Approval ID: RU C-DE.BL08.B.00511

**cULus Recognized**

1420054

<https://www.phoenixcontact.com/pc/products/1420054>

## Classifications

### ECLASS

ECLASS-9.0	27440202
ECLASS-10.0.1	27440202
ECLASS-11.0	27440202

### ETIM

ETIM 8.0	EC000437
----------	----------

### UNSPSC

UNSPSC 21.0	31261500
-------------	----------

1420054

<https://www.phoenixcontact.com/pc/products/1420054>

## Environmental Product Compliance

China RoHS	Environmentally friendly use period: unlimited = EFUP-e
	No hazardous substances above threshold values

1420054

<https://www.phoenixcontact.com/pc/products/1420054>

## Accessories

### Mounting flange

Mounting flange - HC-B-AF - 1686533

<https://www.phoenixcontact.com/pc/products/1686533>



Panel mounting flange for HEAVYCON-ADVANCE TMS housing with screw locking

---

### Mounting flange

Mounting flange - HC-B-AF-SET - 1604638

<https://www.phoenixcontact.com/pc/products/1604638>



Panel mounting flange for screw locking, set comprising 2 panel mounting flanges with 4 self-tapping screws (M4, Torx<sup>®</sup>) and 4 fan-type washers

# Housing - HC-ADV-B16-HHWH-BLANK-ELC-AL

1420054

<https://www.phoenixcontact.com/pc/products/1420054>

## Protective cover

Protective cover - HC-B 16-TMS-SD-IP50 - 1690752

<https://www.phoenixcontact.com/pc/products/1690752>



Protective cover B16, Clip locking, protective cover material: PA, height: 31.2 mm, seal: no, diameter of retaining cord eyelet: 4 mm, with lanyard

---

## Protective cover

Protective cover - HC-B 16-TMS-SD-IP66 - 1411517

<https://www.phoenixcontact.com/pc/products/1411517>



HEAVYCON ADVANCE, IP66, B16 protective cover, for panel mounting side, with screw locking, with retaining cord, diameter of retaining cord eyelet: 3 mm

1420054

<https://www.phoenixcontact.com/pc/products/1420054>

## Screw insert

Screw insert - SF-BIT-HEXB 5-89 - 1208911

<https://www.phoenixcontact.com/pc/products/1208911>



Screw bit, hexagonal with ball head, E6.3-1/4" drive, size: Hex 5 x 89 mm, hardened, suitable for holder according to DIN 3126-F 6.3/ISO 1173

---

## Screwdriver

Screwdriver - SF-M BH - 1212070

<https://www.phoenixcontact.com/pc/products/1212070>



Bit screwdriver, with 1/4" quick-action chuck, handle length 119 mm, 2-component handle, with non-slip grip, suitable for bits according to DIN 3126-C 6.3 and E 6.3/ISO 1173, magnetic

# Housing - HC-ADV-B16-HHWH-BLANK-ELC-AL



1420054

<https://www.phoenixcontact.com/pc/products/1420054>

## Plastic label

Plastic label - US-EMLP (20X9) CUS - 0830085

<https://www.phoenixcontact.com/pc/products/0830085>

Plastic label, can be ordered: by card, white, labeled according to customer specifications, mounting type: adhesive, lettering field size: 20 x 9 mm, Number of individual labels: 75



---

Phoenix Contact 2022 © - all rights reserved

<https://www.phoenixcontact.com>

PHOENIX CONTACT GmbH & Co. KG

Flachsmarktstraße 8

D-32825 Blomberg

+49 (0) 5235-3 00

[info@phoenixcontact.com](mailto:info@phoenixcontact.com)