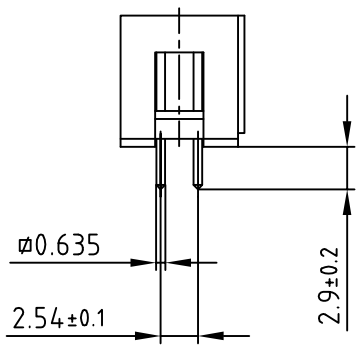
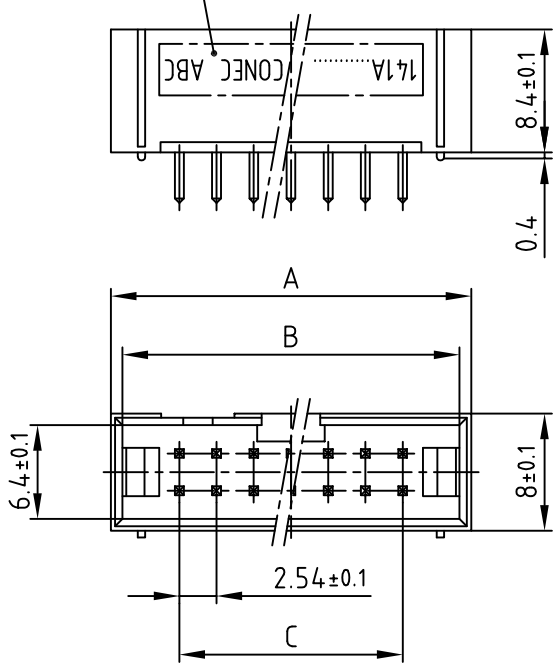


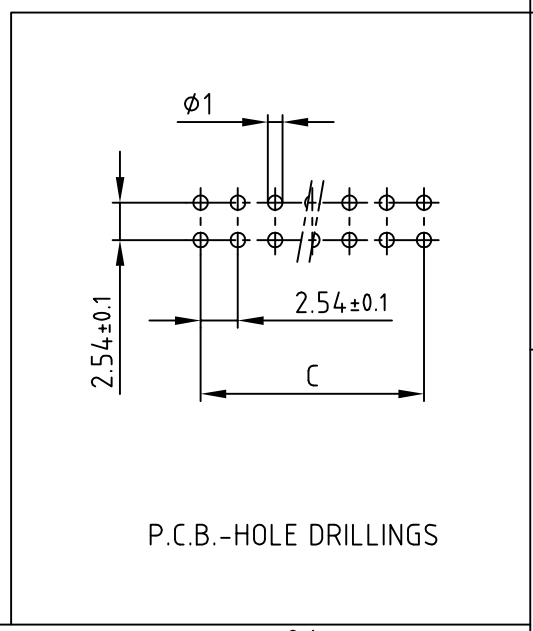
used for: DIN 41651

(b) SEE NOTE 6



RoHS compliant

No. of pos.	A ± 0.2	B ± 0.1	C ± 0.1	Part NO.
10	19.50	17.90	4x2.54=10.16	141A11639X
14	24.60	23.00	6x2.54=15.24	141A11649X
16	27.20	25.60	7x2.54=17.78	141A11659X
20	32.30	30.70	9x2.54=22.86	141A11669X
26	39.90	38.30	12x2.54=30.48	141A11679X
34	50.10	48.50	16x2.54=40.64	141A11689X
40	57.80	56.20	19x2.54=48.26	141A11699X
50	70.50	68.90	24x2.54=60.96	141A11709X
64	89.10	86.40	31x2.54=78.74	141A12269X



NOTES:

- INSULATORS: POLYESTER GV, V0, UL 94
- CONTACTS: PHOSPHOR BRONCE
- (b) OPERATING TEMPERATURE RANGE: -40°C TO +105°C
- CURRENT CARRYING CAPACITY: 1A
- TEST VOLTAGE: 1000 Veff.
- (b) 6. CONNECTOR IS PART MARKED: PART-NO. CONEC ABC

THIS DRAWING MAY NOT BE COPIED OR REPRODUCED IN ANY WAY, AND MAY NOT BE PASSED ON TO A THIRD PARTY WITHOUT WRITTEN PERMISSION. OWNERSHIP AND COPYRIGHT OF CONEC GmbH DO NOT ALTER CAD DRAWING BY HAND

tolerance			
2002	date	name	
drawn	26.04.	Parei	
appd.	26.04.	E. Mickenbecker	
norm	DIN 41651		
d-old			
3 x b	Ä 3115	24.09.2008	Lehmen.
a	Origin		
rev.	description	date	name



scale:	2:1	
material:	SEE NOTES	
title:	LOW PROFILE HEADER 10-64pos. with straight solder pins	
dwg no:	AutoCAD 2000	DIN-A
	14K1A009	4
part no:	SEE TABLE	
		sh: 1/1