

# Contact insert - HC-Q02-I-CT-F



1419895

<https://www.phoenixcontact.com/pc/products/1419895>

Please be informed that the data shown in this PDF document is generated from our Online Catalog. Please find the complete data in the user documentation. Our General Terms of Use for Downloads are valid.



Contact insert, number of positions: 2+PE, size: D7, number of connections per position: 1, Socket, Crimp connection, 400 V, 40 A, 1.5 mm<sup>2</sup> ... 6 mm<sup>2</sup>, application: Power

## Commercial Data

Item number	1419895
Packing unit	1 pc
Minimum order quantity	1 pc
Product Key	BF7ABJ
Catalog Page	Page 511 (C-2-2019)
GTIN	4055626256146
Weight per Piece (including packing)	9.5 g
Weight per Piece (excluding packing)	9.4 g
Customs tariff number	85389099
Country of origin	CN

# Contact insert - HC-Q02-I-CT-F



1419895

<https://www.phoenixcontact.com/pc/products/1419895>

## Technical Data

### Notes

General	For HC-D7 housing, crimp contacts CK 4,0. Crimp contacts not included in scope of supply.
General	Connectors may be operated only when there is no load/voltage.

### Mounting

Assembly instructions	To ensure correct use, installation in housing with IP54 protection or better is required
-----------------------	---

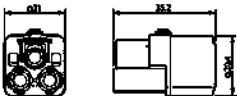
### Product properties

Type	D7
Product type	Contact insert with a fixed no. of positions
Number of positions	2
Connection profile	2+PE
Application	Power
Number of connections per position	1
Contact type	turned
Series	HC-HS

### Insulation characteristics

Overvoltage category	III
Degree of pollution	3

### Dimensions

Dimensional drawing	
Width	21 mm
Height	34.8 mm
Length	21 mm

### Mechanical characteristics

Contact diameter	4 mm
------------------	------

### Connection data

#### Connection technology

Connection technology	Crimp connection
	Crimp connection (PE contact)
Number of connections per position	1
Connection in acc. with standard	IEC / EN

# Contact insert - HC-Q02-I-CT-F



1419895

<https://www.phoenixcontact.com/pc/products/1419895>

## Conductor connection

Conductor cross section	1.5 mm <sup>2</sup> ... 6 mm <sup>2</sup>
Connection cross section AWG	16 ... 10
Tightening torque	0.5 Nm ... 0.8 Nm (Mounting screws for mounting in the HEAVYCON housing)
Stripping length of the individual wire	9 mm (1.5 ... 6.0 mm <sup>2</sup> )
	11 mm (for 10 mm <sup>2</sup> )

## Electrical properties

Rated voltage (III/3)	400 V
Rated surge voltage	6 kV
Rated current	40 A

## Mechanical properties

### Mechanical data

Insertion/withdrawal cycles	≥ 500
-----------------------------	-------

## Material specifications

Color	light grey
Flammability rating according to UL 94	V0
Contact material	Copper alloy
Contact surface material	Ag
Contact carrier material	PC
Standards/regulations	PC: Fire protection in rail vehicles - requirement sets R22, R23, and R24 acc. to DIN EN 45545-2 (Risk level HL1 - HL3)

## Environmental and real-life conditions

### Ambient conditions

Ambient temperature (operation)	-40 °C ... 125 °C (including heating up of contacts)
---------------------------------	--

## Standards and regulations

Constructional and testing regulations	DIN VDE 0627/86
	DIN VDE 0110/02.79
	DIN VDE 0110-1/04.97
	IEC 60664-1, DIN IEC 60512
	IEC 60352
Tests	DIN VDE 0627/86
	DIN VDE 0110/02.79
	DIN VDE 0110-1/04.97
	IEC 60664-1, DIN IEC 60512
	IEC 60352

## Testing

# Contact insert - HC-Q02-I-CT-F



1419895

<https://www.phoenixcontact.com/pc/products/1419895>

## Standards/regulations

PC: Fire protection in rail vehicles - requirement sets R22, R23, and R24 acc. to DIN EN 45545-2 (Risk level HL1 - HL3)

# Contact insert - HC-Q02-I-CT-F

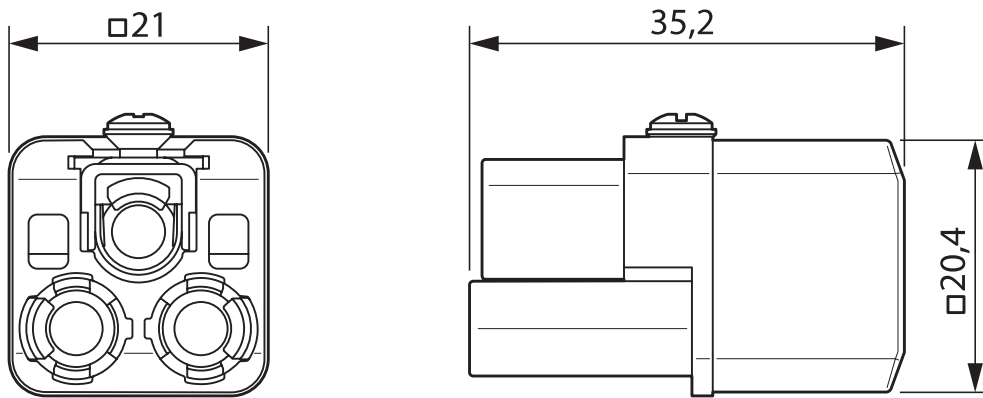


1419895

<https://www.phoenixcontact.com/pc/products/1419895>

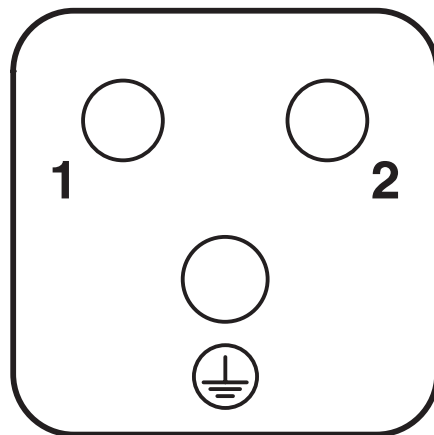
## Drawings

Dimensional drawing



Female insert

Schematic diagram

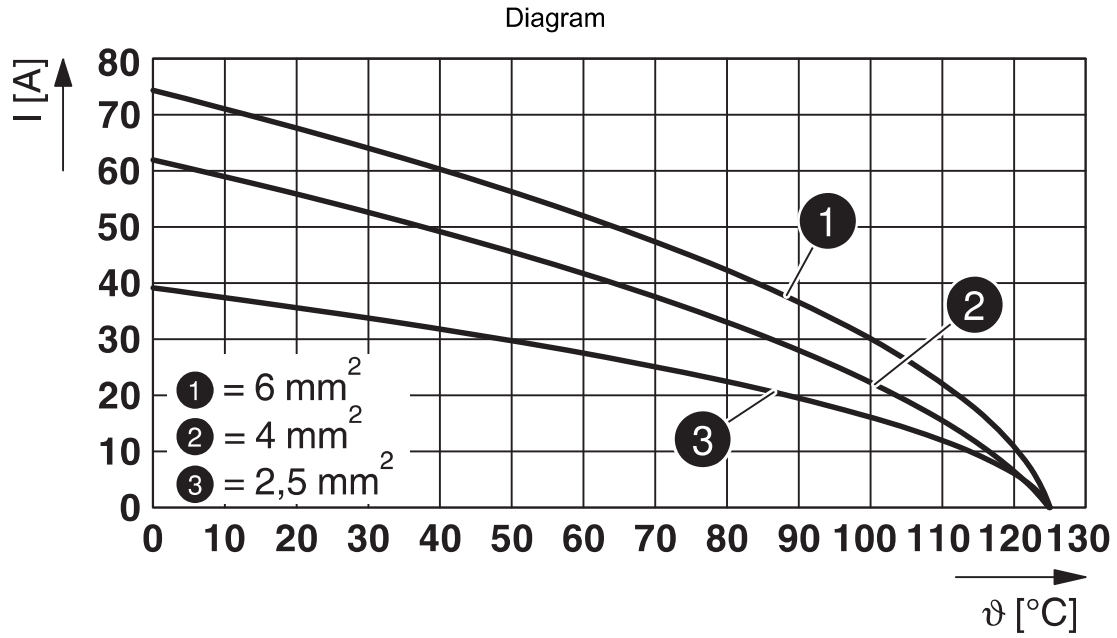


# Contact insert - HC-Q02-I-CT-F



1419895

<https://www.phoenixcontact.com/pc/products/1419895>



Derating diagram

# Contact insert - HC-Q02-I-CT-F




1419895

<https://www.phoenixcontact.com/pc/products/1419895>

## Approvals

 <b>UL Recognized</b> Approval ID: E118976				
	Nominal Voltage $U_N$	Nominal Current $I_N$	Cross Section AWG	Cross Section $\text{mm}^2$
	600 V	50 A	- 8	-

 <b>EAC</b> Approval ID: RU C-DE.AI30.B.01102				
---	--	--	--	--

 <b>EAC</b> Approval ID: RU C-DE.BL08.B.00511				
---	--	--	--	--

 <b>UL Recognized</b> Approval ID: E468743				
	Nominal Voltage $U_N$	Nominal Current $I_N$	Cross Section AWG	Cross Section $\text{mm}^2$
	600 V	45 A	-	-

# Contact insert - HC-Q02-I-CT-F



1419895

<https://www.phoenixcontact.com/pc/products/1419895>

## Classifications

### ECLASS

ECLASS-9.0	27440205
ECLASS-10.0.1	27440205
ECLASS-11.0	27440205

### ETIM

ETIM 8.0	EC000438
----------	----------

### UNSPSC

UNSPSC 21.0	39121500
-------------	----------

# Contact insert - HC-Q02-I-CT-F

1419895

<https://www.phoenixcontact.com/pc/products/1419895>



## Environmental Product Compliance

China RoHS

Environmentally friendly use period: unlimited = EFUP-e

No hazardous substances above threshold values