

D-SUB sleeve housings - CUC-DST-GZNI-S/DSSC15



1419724

<https://www.phoenixcontact.com/de/produkte/1419724>

Please be informed that the data shown in this PDF document is generated from our Online Catalog. Please find the complete data in the user documentation. Our General Terms of Use for Downloads are valid.



D-SUB sleeve housings, degree of protection: IP20, material: Zinc die-cast, cable outlet: straight, housing size: 2, color: Bare metallic

Commercial Data

Item number	1419724
Packing unit	1 pc
Minimum order quantity	1 pc
Sales Key	D1 - Steckverbinder
Product Key	ABNADE
GTIN	4055626188034
Weight per Piece (including packing)	58,9 g
Weight per Piece (excluding packing)	58,9 g
Customs tariff number	85389099
Country of origin	DE

1419724

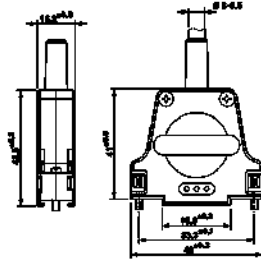
<https://www.phoenixcontact.com/de/produkte/1419724>

Technical Data

Product properties

Type	D-SUB 15
Product type	Sleeve housings
No. of cable outlets	1
Cable outlet	straight

Dimensions

Dimensional drawing	
Width	40 mm
Height	15.2 mm
Depth	62 mm

Material specifications

Color	Bare metallic
Flammability rating according to UL 94	V0
Housing surface material	Nickel-plated
Housing material	Zinc die-cast

Cable / line

External cable diameter	3 mm ... 8.5 mm (Without bending protection)
-------------------------	--

Environmental and real-life conditions

Ambient conditions

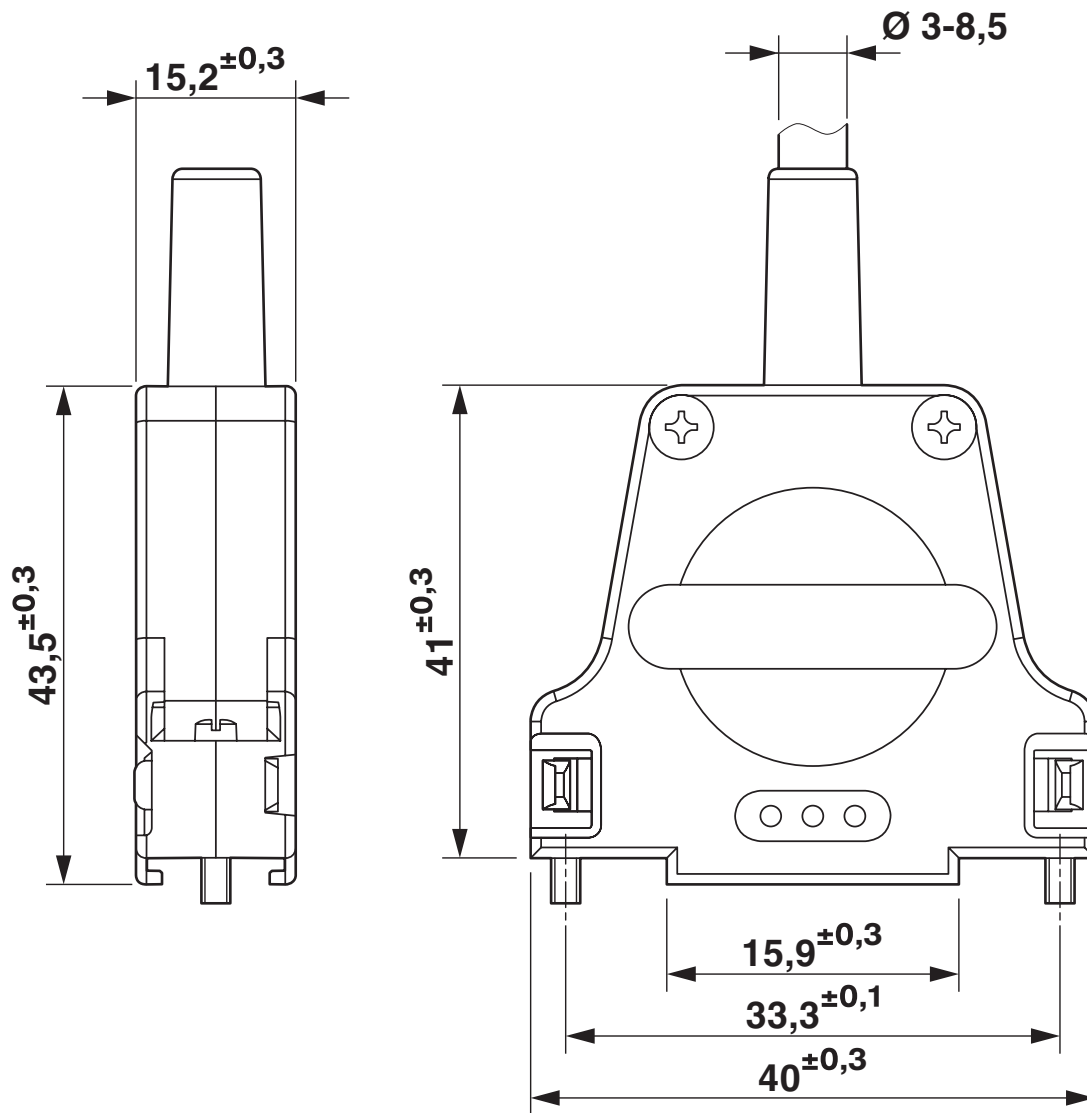
Degree of protection	IP20
Ambient temperature (operation)	-35 °C ... 100 °C

Mounting

Mounting type	Screw locking
---------------	---------------

Drawings

Dimensional drawing

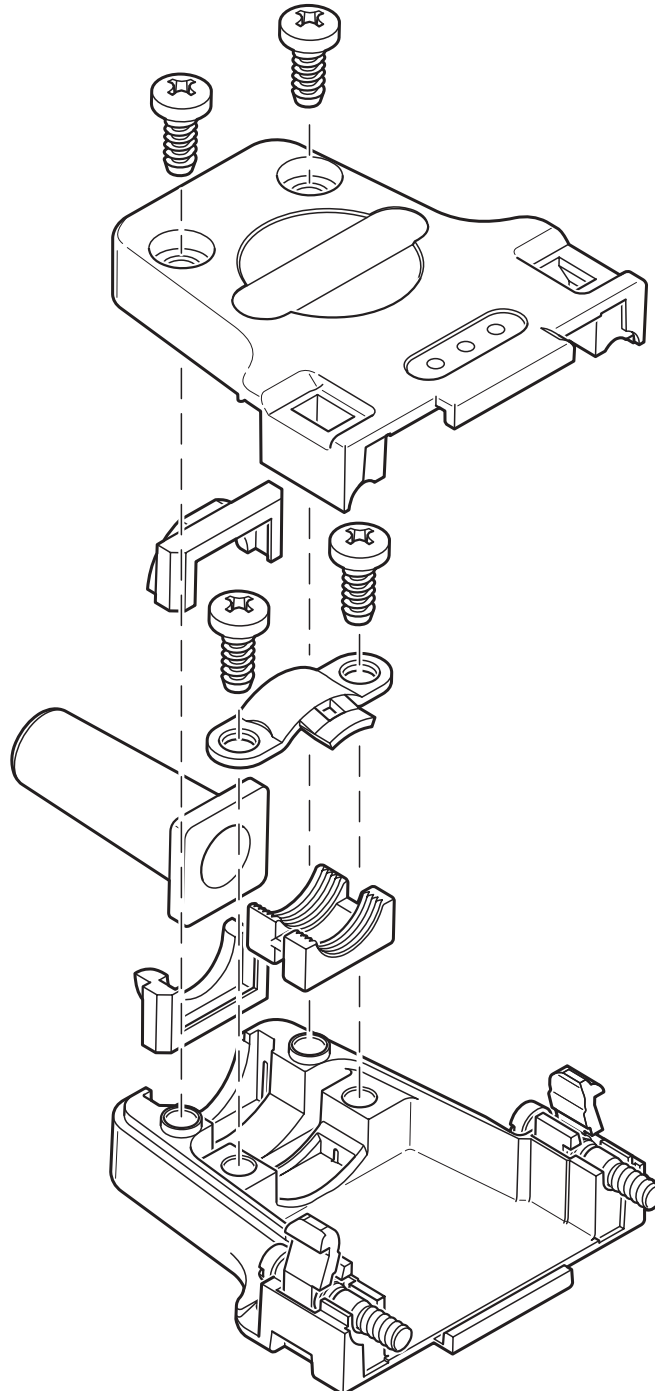


D-SUB sleeve housings

1419724

<https://www.phoenixcontact.com/de/produkte/1419724>

Schematic diagram



D-SUB sleeve housings - CUC-DST-GZNI-S/DSSC15



1419724

<https://www.phoenixcontact.com/de/produkte/1419724>

Approvals



EAC

Approval ID: B.01687

1419724

<https://www.phoenixcontact.com/de/produkte/1419724>

Classifications

ECLASS

ECLASS-9.0	27440302
ECLASS-10.0.1	27440302
ECLASS-11.0	27440202

ETIM

ETIM 8.0	EC000437
----------	----------

UNSPSC

UNSPSC 21.0	31261500
-------------	----------

D-SUB sleeve housings - CUC-DST-GZNI-S/DSSC15



1419724

<https://www.phoenixcontact.com/de/produkte/1419724>

Environmental Product Compliance

China RoHS	Environmentally friendly use period: unlimited = EFUP-e
	No hazardous substances above threshold values

1419724

<https://www.phoenixcontact.com/de/produkte/1419724>

Accessories

Contact insert

Contact insert - VS-15-ST-DSUB-EG - 1688874

<https://www.phoenixcontact.com/de/produkte/1688874>



D-SUB contact insert, shell size 2, with 15 signal contacts, type of contact pin, with solder cup, straight, fixing with a 3 mm hole, for panel mounting frame and sleeve housing VS-15-...

Contact insert

Contact insert - VS-15-BU-DSUB-EG - 1688887

<https://www.phoenixcontact.com/de/produkte/1688887>



D-SUB contact insert, shell size 2, with 15 signal contacts, type of contact socket, with solder cup, straight, fixing with a 3 mm hole, for panel mounting frame and sleeve housing VS-15-...

D-SUB sleeve housings - CUC-DST-GZNI-S/DSSC15

1419724

<https://www.phoenixcontact.com/de/produkte/1419724>

D-SUB contact insert

D-SUB contact insert - VS-15-ST-DSUB-HD-EG - 1655179

<https://www.phoenixcontact.com/de/produkte/1655179>

D-SUB contact insert, shell size 2, with 26 signal contacts, type of contact pin, with solder cup, straight, fixing with a 3 mm hole, for panel mounting frame and sleeve housing VS-15-...



D-SUB contact insert

D-SUB contact insert - VS-15-BU-DSUB-HD-EG - 1655166

<https://www.phoenixcontact.com/de/produkte/1655166>

D-SUB contact insert, shell size 2, with 26 signal contacts, type of contact socket, with solder cup, straight, fixing with a 3 mm hole, for panel mounting frame and sleeve housing VS-15-...



D-SUB sleeve housings - CUC-DST-GZNI-S/DSSC15

1419724

<https://www.phoenixcontact.com/de/produkte/1419724>

D-SUB contact support

D-SUB contact support - VS-15-ST-DSUB-CD-OG - 1688939

<https://www.phoenixcontact.com/de/produkte/1688939>



D-SUB contact carrier, shell size 2, for 15 signal contacts, type of contact pin, for crimp contacts, straight, fixing with a 3 mm hole, for panel mounting frame and sleeve housing VS-15-...

D-SUB contact support

D-SUB contact support - VS-15-BU-DSUB-CD-OG - 1688942

<https://www.phoenixcontact.com/de/produkte/1688942>



D-SUB contact carrier, shell size 2, for 15 signal contacts, type of contact socket, for crimp contacts, straight, fixing with a 3 mm hole, for panel mounting frame and sleeve housing VS-15-...

1419724

<https://www.phoenixcontact.com/de/produkte/1419724>

D-SUB contact support

D-SUB contact support - VS-15-ST-DSUB-HD-CD-B - 1655195

<https://www.phoenixcontact.com/de/produkte/1655195>



D-SUB contact carrier, shell size 2, for 26 signal contacts, type of contact pin, for crimp contacts, straight, fixing with a 3 mm hole, for panel mounting frame and sleeve housing VS-15-...

D-SUB contact support

D-SUB contact support - VS-15-BU-DSUB-HD-CD-B - 1655182

<https://www.phoenixcontact.com/de/produkte/1655182>



D-SUB contact carrier, shell size 2, for 26 signal contacts, type of contact socket, for crimp contacts, straight, fixing with a 3 mm hole, for panel mounting frame and sleeve housing VS-15-...

D-SUB sleeve housings - CUC-DST-GZNI-S/DSSC15



1419724

<https://www.phoenixcontact.com/de/produkte/1419724>

D-SUB contact support

D-SUB contact support - VS-15-ST-DSUB-3P - 1688201

<https://www.phoenixcontact.com/de/produkte/1688201>

D-SUB contact carrier, shell size 2, accommodation for three combined contacts, type of contact pin, straight, fixing with a 3 mm hole, for panel mounting frame and sleeve housing VS-15-...



D-SUB contact support

D-SUB contact support - VS-15-BU-DSUB-3P - 1688214

<https://www.phoenixcontact.com/de/produkte/1688214>

D-SUB contact carrier, shell size 2, accommodation for three combined contacts, type of contact socket, straight, fixing with a 3 mm hole, for panel mounting frame and sleeve housing VS-15-...



Phoenix Contact 2023 © - all rights reserved
<https://www.phoenixcontact.com>

PHOENIX CONTACT Deutschland GmbH
Flachsmarktstraße 8
D-32825 Blomberg
+49 52 35/3-1 20 00
info@phoenixcontact.de