

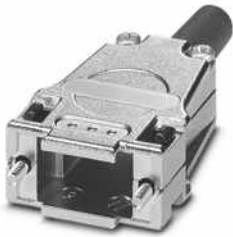
D-SUB sleeve housings - CUC-DST-GZNI-S/DSSC9



1419722

<https://www.phoenixcontact.com/de/produkte/1419722>

Please be informed that the data shown in this PDF document is generated from our Online Catalog. Please find the complete data in the user documentation. Our General Terms of Use for Downloads are valid.



D-SUB sleeve housings, degree of protection: IP20, material: Zinc die-cast, cable outlet: straight, housing size: 1, color: Bare metallic

Commercial Data

Item number	1419722
Packing unit	1 pc
Minimum order quantity	1 pc
Sales Key	D1 - Steckverbinder
Product Key	ABNADE
GTIN	4055626188010
Weight per Piece (including packing)	45,4 g
Weight per Piece (excluding packing)	45 g
Customs tariff number	85389099
Country of origin	DE

D-SUB sleeve housings - CUC-DST-GZNI-S/DSSC9

1419722

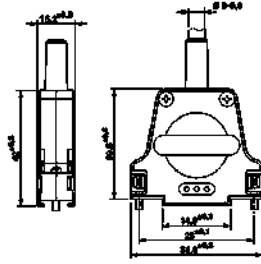
<https://www.phoenixcontact.com/de/produkte/1419722>

Technical Data

Product properties

Type	D-SUB 9
Product type	Sleeve housings
No. of cable outlets	1
Cable outlet	straight

Dimensions

Dimensional drawing	
Width	31.6 mm
Height	15.2 mm
Depth	64.9 mm

Material specifications

Color	Bare metallic
Flammability rating according to UL 94	V0
Housing surface material	Nickel-plated
Housing material	Zinc die-cast

Cable / line

External cable diameter	3 mm ... 9.5 mm (Without bending protection)
-------------------------	----------------------------------------------

Environmental and real-life conditions

Ambient conditions

Degree of protection	IP20
Ambient temperature (operation)	-35 °C ... 100 °C

Mounting

Mounting type	Screw locking
---------------	---------------

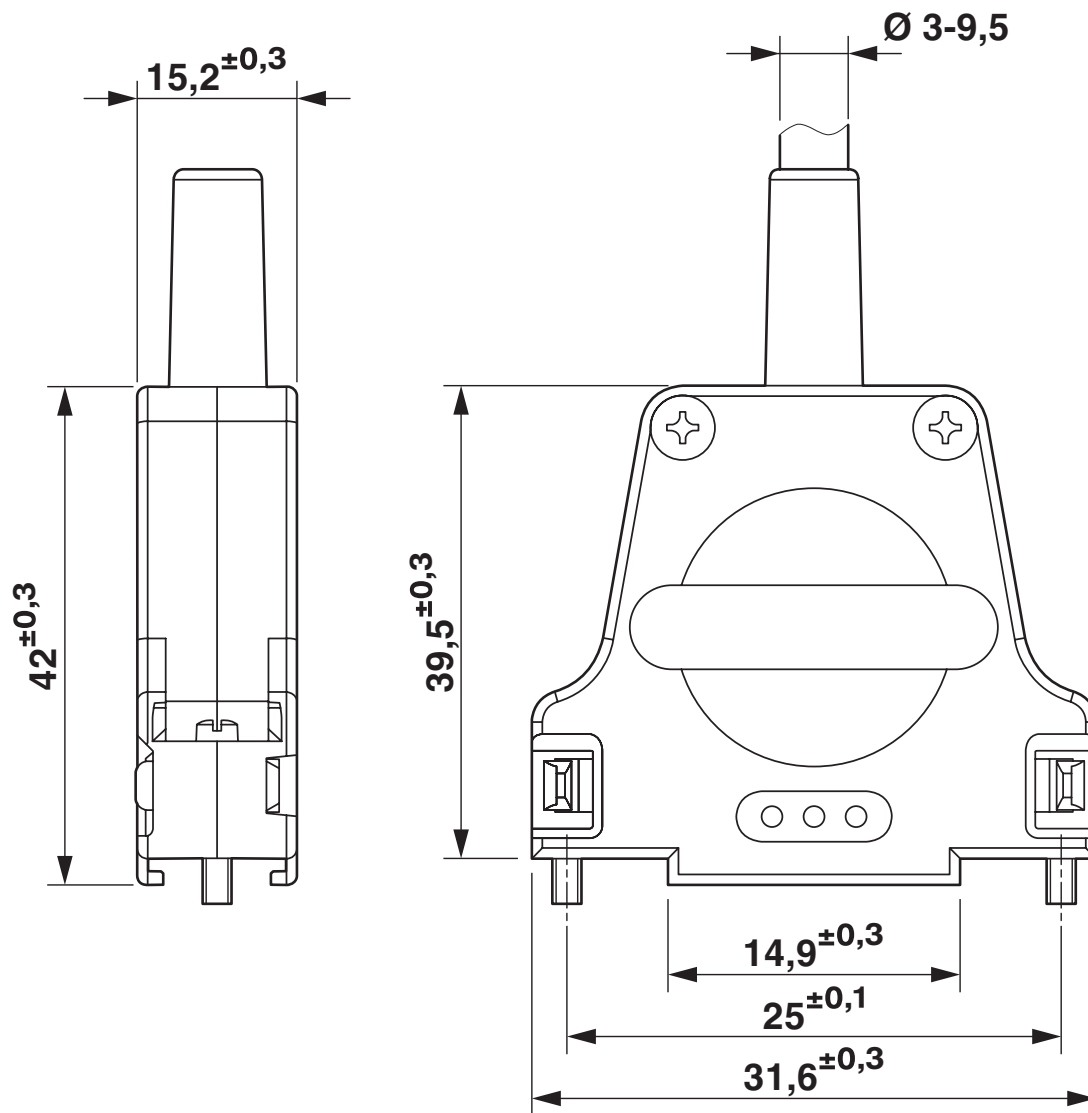
D-SUB sleeve housings - CUC-DST-GZNI-S/DSSC9

1419722

<https://www.phoenixcontact.com/de/produkte/1419722>

Drawings

Dimensional drawing



D-SUB sleeve housings

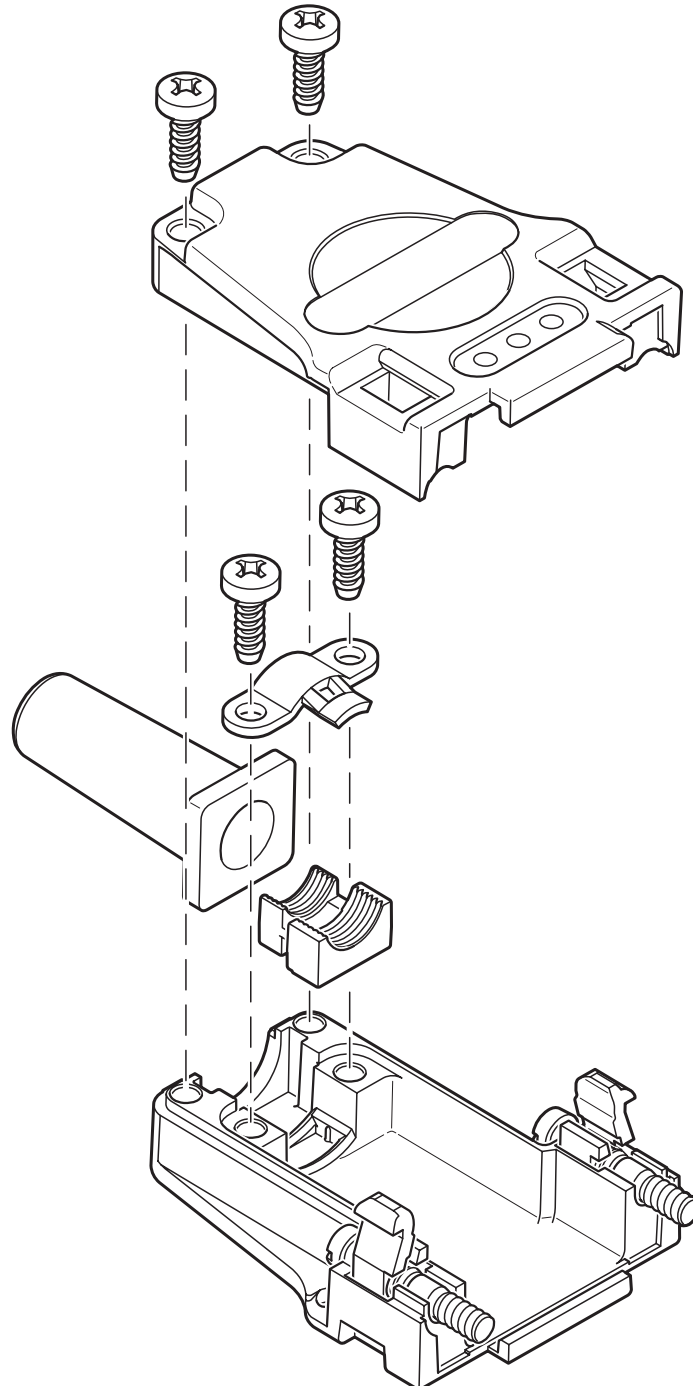
D-SUB sleeve housings - CUC-DST-GZNI-S/DSSC9

1419722

<https://www.phoenixcontact.com/de/produkte/1419722>



Schematic diagram



D-SUB sleeve housings - CUC-DST-GZNI-S/DSSC9



1419722

<https://www.phoenixcontact.com/de/produkte/1419722>

Approvals



EAC

Approval ID: B.01687

D-SUB sleeve housings - CUC-DST-GZNI-S/DSSC9



1419722

<https://www.phoenixcontact.com/de/produkte/1419722>

Classifications

ECLASS

ECLASS-9.0	27440302
ECLASS-10.0.1	27440302
ECLASS-11.0	27440202

ETIM

ETIM 8.0	EC000437
----------	----------

UNSPSC

UNSPSC 21.0	31261500
-------------	----------

D-SUB sleeve housings - CUC-DST-GZNI-S/DSSC9



1419722

<https://www.phoenixcontact.com/de/produkte/1419722>

Environmental Product Compliance

China RoHS	Environmentally friendly use period: unlimited = EFUP-e
	No hazardous substances above threshold values

1419722

<https://www.phoenixcontact.com/de/produkte/1419722>

Accessories

Contact insert

Contact insert - VS-09-ST-DSUB-EG - 1688793

<https://www.phoenixcontact.com/de/produkte/1688793>



D-SUB contact insert, shell size 1, with nine signal contacts, type of contact pin, with solder cup, straight, fixing with a 3 mm hole, for panel mounting frame and sleeve housing VS-09-...

Contact insert

Contact insert - VS-09-BU-DSUB-EG - 1688803

<https://www.phoenixcontact.com/de/produkte/1688803>



D-SUB contact insert, shell size 1, with nine signal contacts, type of contact socket, with solder cup, straight, fixing with a 3 mm hole, for panel mounting frame and sleeve housing VS-09-...

D-SUB sleeve housings - CUC-DST-GZNI-S/DSSC9

1419722

<https://www.phoenixcontact.com/de/produkte/1419722>

D-SUB contact insert

D-SUB contact insert - VS-09-ST-DSUB-HD-EG - 1655111

<https://www.phoenixcontact.com/de/produkte/1655111>



D-SUB contact insert, shell size 1, with 15 signal contacts, type of contact pin, with solder cup, straight, fixing with a 3 mm hole, for panel mounting frame VS-09-...

D-SUB contact insert

D-SUB contact insert - VS-09-BU-DSUB-HD-EG - 1655108

<https://www.phoenixcontact.com/de/produkte/1655108>



D-SUB contact insert, shell size 1, with 15 signal contacts, type of contact socket, with solder cup, straight, fixing with a 3 mm hole, for panel mounting frame VS-09-...

D-SUB sleeve housings - CUC-DST-GZNI-S/DSSC9

1419722

<https://www.phoenixcontact.com/de/produkte/1419722>

D-SUB contact support

D-SUB contact support - VS-09-ST-DSUB-CD-B - 1688858

<https://www.phoenixcontact.com/de/produkte/1688858>



D-SUB contact carrier, shell size 1, for nine signal contacts, type of contact pin, for crimp contacts, straight, fixing with 3 mm hole, for panel mounting frame and sleeve housing VS-09-...

D-SUB contact support

D-SUB contact support - VS-09-BU-DSUB-CD-B - 1688861

<https://www.phoenixcontact.com/de/produkte/1688861>



D-SUB contact carrier, shell size 1, for nine signal contacts, type of contact socket, for crimp contacts, straight, fixing with a 3 mm hole, for panel mounting frame and sleeve housing VS-09-...

D-SUB sleeve housings - CUC-DST-GZNI-S/DSSC9

1419722

<https://www.phoenixcontact.com/de/produkte/1419722>

D-SUB contact support

D-SUB contact support - VS-09-ST-DSUB-HD-CD-B - 1655137

<https://www.phoenixcontact.com/de/produkte/1655137>



D-SUB contact carrier, shell size 1, for 15 signal contacts, type of contact pin, for crimp contacts, straight, fixing with a 3 mm hole, for panel mounting frame and sleeve housing VS-09-...

D-SUB contact support

D-SUB contact support - VS-09-BU-DSUB-HD-CD-B - 1655124

<https://www.phoenixcontact.com/de/produkte/1655124>



D-SUB contact carrier, shell size 1, for 15 signal contacts, type of contact socket, for crimp contacts, straight, fixing with a 3 mm hole, for panel mounting frame and sleeve housing VS-09-...

D-SUB sleeve housings - CUC-DST-GZNI-S/DSSC9

1419722

<https://www.phoenixcontact.com/de/produkte/1419722>

D-SUB contact support

D-SUB contact support - VS-09-ST-DSUB-2P - 1688418

<https://www.phoenixcontact.com/de/produkte/1688418>

D-SUB contact carrier, shell size 1, accommodation for two combined contacts, type of contact pin, straight, fixing with a 3 mm hole, for panel mounting frame and sleeve housing VS-09-...



D-SUB contact support

D-SUB contact support - VS-09-BU-DSUB-2P - 1688421

<https://www.phoenixcontact.com/de/produkte/1688421>

D-SUB contact carrier, shell size 1, accommodation for two combined contacts, type of contact socket, straight, fixing with a 3 mm hole, for panel mounting frame and sleeve housing VS-09-...



Phoenix Contact 2023 © - all rights reserved
<https://www.phoenixcontact.com>

PHOENIX CONTACT Deutschland GmbH
Flachsmarktstraße 8
D-32825 Blomberg
+49 52 35/3-1 20 00
info@phoenixcontact.de