

# D-SUB sleeve housings - CUC-DST-GPME-S/DSSC15



1419710

<https://www.phoenixcontact.com/de/produkte/1419710>

Please be informed that the data shown in this PDF document is generated from our Online Catalog. Please find the complete data in the user documentation. Our General Terms of Use for Downloads are valid.



D-SUB sleeve housings, degree of protection: IP20, material: ABS, metal-plated, cable outlet: straight, housing size: 2, color: Bare metallic

## Commercial Data

Item number	1419710
Packing unit	1 pc
Minimum order quantity	1 pc
Sales Key	D1 - Steckverbinder
Product Key	ABNADD
GTIN	4055626187877
Weight per Piece (including packing)	20 g
Weight per Piece (excluding packing)	19 g
Customs tariff number	85389099
Country of origin	DE

1419710

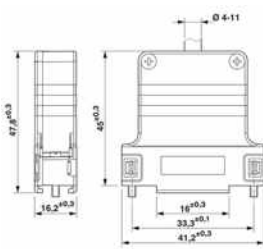
<https://www.phoenixcontact.com/de/produkte/1419710>

## Technical Data

### Product properties

Type	D-SUB 15
Product type	Sleeve housings
No. of cable outlets	1
Cable outlet	straight

### Dimensions

Dimensional drawing	
Width	41.2 mm
Height	16.2 mm
Depth	49.4 mm

### Material specifications

Color	Bare metallic
Flammability rating according to UL 94	V0
Housing surface material	metal-plated
Housing material	ABS, metal-plated

### Cable / line

External cable diameter	4 mm ... 11 mm
-------------------------	----------------

### Environmental and real-life conditions

#### Ambient conditions

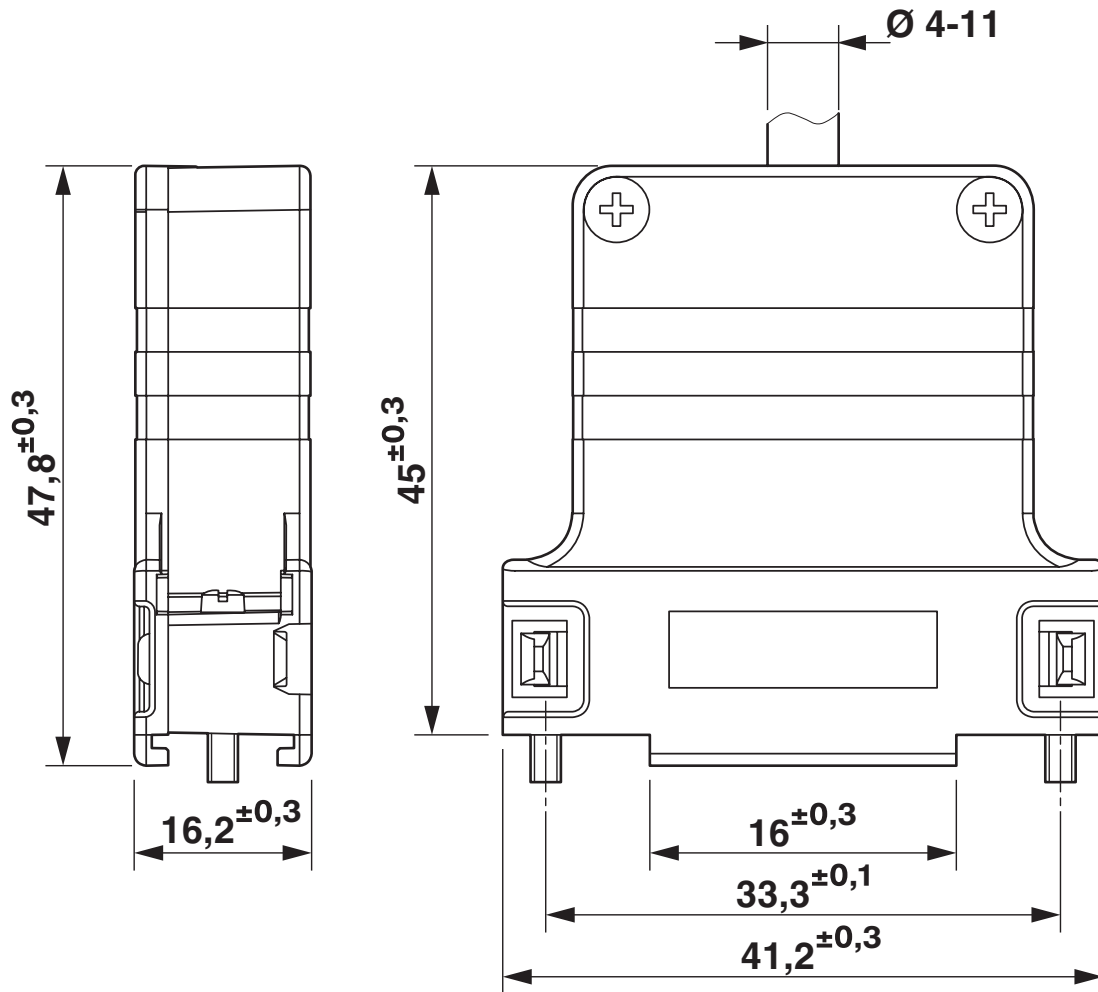
Degree of protection	IP20
Ambient temperature (operation)	-35 °C ... 95 °C

### Mounting

Mounting type	Screw locking
---------------	---------------

Drawings

Dimensional drawing

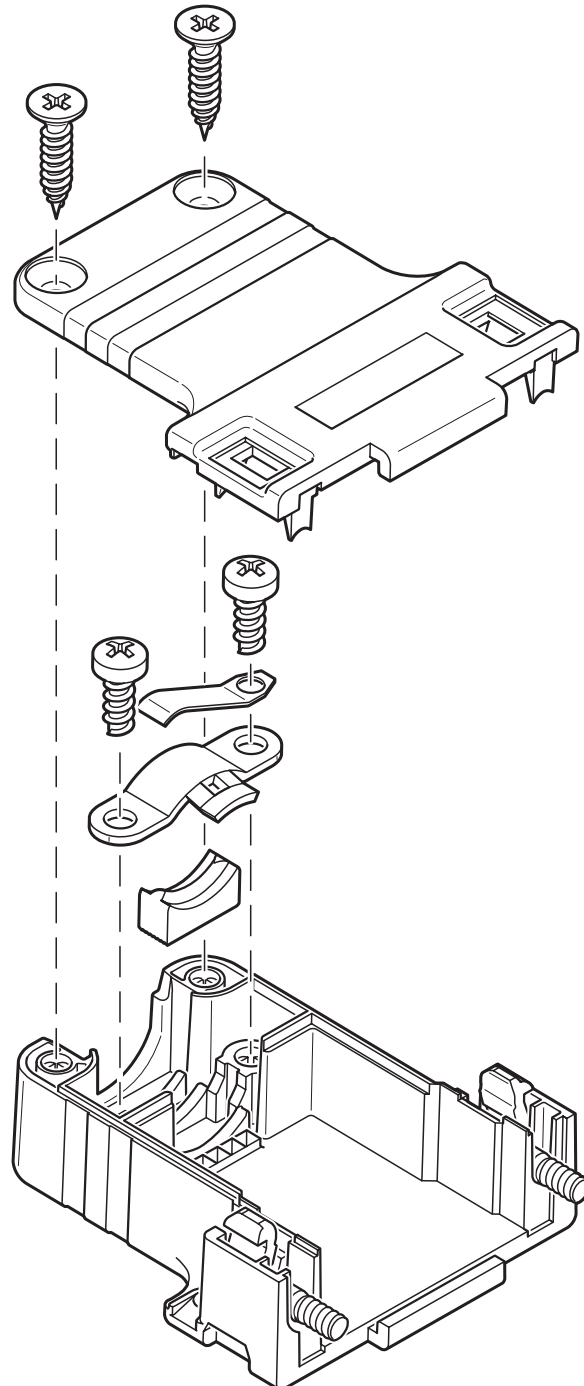


D-SUB sleeve housings

1419710

<https://www.phoenixcontact.com/de/produkte/1419710>

Schematic diagram



# D-SUB sleeve housings - CUC-DST-GPME-S/DSSC15



1419710

<https://www.phoenixcontact.com/de/produkte/1419710>

## Approvals



EAC

Approval ID: B.01687

1419710

<https://www.phoenixcontact.com/de/produkte/1419710>

## Classifications

### ECLASS

ECLASS-9.0	27440302
ECLASS-10.0.1	27440302
ECLASS-11.0	27440202

### ETIM

ETIM 8.0	EC000437
----------	----------

### UNSPSC

UNSPSC 21.0	31261500
-------------	----------

1419710

<https://www.phoenixcontact.com/de/produkte/1419710>

## Environmental Product Compliance

REACH SVHC	Lead 7439-92-1
China RoHS	Environmentally Friendly Use Period = 50 years
	For information on hazardous substances, refer to the manufacturer's declaration available under "Downloads"

1419710

<https://www.phoenixcontact.com/de/produkte/1419710>

## Accessories

### Bend protection sleeve

Bend protection sleeve - CUC-DST-ABK-CP6,5 - 1419790

<https://www.phoenixcontact.com/de/produkte/1419790>



Bend protection sleeve, degree of protection: IP20, color: black

---

### Bend protection sleeve

Bend protection sleeve - CUC-DST-ABK-CP8 - 1419791

<https://www.phoenixcontact.com/de/produkte/1419791>



Bend protection sleeve, degree of protection: IP20, color: black

1419710

<https://www.phoenixcontact.com/de/produkte/1419710>

## Contact insert

Contact insert - VS-15-ST-DSUB-EG - 1688874

<https://www.phoenixcontact.com/de/produkte/1688874>



D-SUB contact insert, shell size 2, with 15 signal contacts, type of contact pin, with solder cup, straight, fixing with a 3 mm hole, for panel mounting frame and sleeve housing VS-15-...

---

## Contact insert

Contact insert - VS-15-BU-DSUB-EG - 1688887

<https://www.phoenixcontact.com/de/produkte/1688887>



D-SUB contact insert, shell size 2, with 15 signal contacts, type of contact socket, with solder cup, straight, fixing with a 3 mm hole, for panel mounting frame and sleeve housing VS-15-...

1419710

<https://www.phoenixcontact.com/de/produkte/1419710>

## D-SUB contact insert

D-SUB contact insert - VS-15-ST-DSUB-HD-EG - 1655179

<https://www.phoenixcontact.com/de/produkte/1655179>

D-SUB contact insert, shell size 2, with 26 signal contacts, type of contact pin, with solder cup, straight, fixing with a 3 mm hole, for panel mounting frame and sleeve housing VS-15-...



---

## D-SUB contact insert

D-SUB contact insert - VS-15-BU-DSUB-HD-EG - 1655166

<https://www.phoenixcontact.com/de/produkte/1655166>

D-SUB contact insert, shell size 2, with 26 signal contacts, type of contact socket, with solder cup, straight, fixing with a 3 mm hole, for panel mounting frame and sleeve housing VS-15-...



1419710

<https://www.phoenixcontact.com/de/produkte/1419710>

## D-SUB contact support

D-SUB contact support - VS-15-ST-DSUB-CD-OG - 1688939

<https://www.phoenixcontact.com/de/produkte/1688939>



D-SUB contact carrier, shell size 2, for 15 signal contacts, type of contact pin, for crimp contacts, straight, fixing with a 3 mm hole, for panel mounting frame and sleeve housing VS-15-...

---

## D-SUB contact support

D-SUB contact support - VS-15-BU-DSUB-CD-OG - 1688942

<https://www.phoenixcontact.com/de/produkte/1688942>



D-SUB contact carrier, shell size 2, for 15 signal contacts, type of contact socket, for crimp contacts, straight, fixing with a 3 mm hole, for panel mounting frame and sleeve housing VS-15-...

1419710

<https://www.phoenixcontact.com/de/produkte/1419710>

## D-SUB contact support

D-SUB contact support - VS-15-ST-DSUB-HD-CD-B - 1655195

<https://www.phoenixcontact.com/de/produkte/1655195>



D-SUB contact carrier, shell size 2, for 26 signal contacts, type of contact pin, for crimp contacts, straight, fixing with a 3 mm hole, for panel mounting frame and sleeve housing VS-15-...

---

## D-SUB contact support

D-SUB contact support - VS-15-BU-DSUB-HD-CD-B - 1655182

<https://www.phoenixcontact.com/de/produkte/1655182>



D-SUB contact carrier, shell size 2, for 26 signal contacts, type of contact socket, for crimp contacts, straight, fixing with a 3 mm hole, for panel mounting frame and sleeve housing VS-15-...

1419710

<https://www.phoenixcontact.com/de/produkte/1419710>

## D-SUB contact support

D-SUB contact support - VS-15-ST-DSUB-3P - 1688201

<https://www.phoenixcontact.com/de/produkte/1688201>

D-SUB contact carrier, shell size 2, accommodation for three combined contacts, type of contact pin, straight, fixing with a 3 mm hole, for panel mounting frame and sleeve housing VS-15-...



---

## D-SUB contact support

D-SUB contact support - VS-15-BU-DSUB-3P - 1688214

<https://www.phoenixcontact.com/de/produkte/1688214>

D-SUB contact carrier, shell size 2, accommodation for three combined contacts, type of contact socket, straight, fixing with a 3 mm hole, for panel mounting frame and sleeve housing VS-15-...



---

Phoenix Contact 2023 © - all rights reserved  
<https://www.phoenixcontact.com>

PHOENIX CONTACT Deutschland GmbH  
Flachsmarktstraße 8  
D-32825 Blomberg  
+49 52 35/3-1 20 00  
[info@phoenixcontact.de](mailto:info@phoenixcontact.de)