

# Housing - HC-STA-D07-CHWS-1TGM25-PL-BK



1419260

<https://www.phoenixcontact.com/pc/products/1419260>

Please be informed that the data shown in this PDF document is generated from our Online Catalog. Please find the complete data in the user documentation. Our General Terms of Use for Downloads are valid.

---



Coupling housings D7, with single locking latch, material: PA, cable outlets: 1, straight, 1x M25, height: 60.5 mm, cable gland: with, Standard

---

# Housing - HC-STA-D07-CHWS-1TGM25-PL-BK



1419260

<https://www.phoenixcontact.com/pc/products/1419260>

## Commercial Data

Item number	1419260
Packing unit	1 pc
Minimum order quantity	1 pc
Product Key	BF7APD
Catalog Page	Page 516 (C-2-2019)
GTIN	4055626160115
Weight per Piece (including packing)	36.6 g
Weight per Piece (excluding packing)	36 g
Customs tariff number	85389099
Country of origin	CN

1419260

<https://www.phoenixcontact.com/pc/products/1419260>

## Technical Data

### Notes

General	for contact inserts HC-A03, A04, D07, D08, Q02, Q03, Q04, Q05, Q07, Q12
---------	---

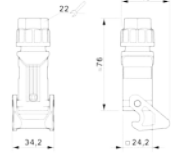
### Product properties

Type	D7
Product type	Housing with locking latch
Application	Standard
No. of cable outlets	1
Type of the screw connection	1x M25
Housing type	Coupling housings
Locking type	with single locking latch
Shielded	no
Cable outlet	straight
Pg screw connection	with

### Characteristics

External cable diameter	10 mm ... 16 mm
-------------------------	-----------------

### Dimensions

Dimensional drawing	
Width	26.5 mm
Height	60.5 mm
Length	26.5 mm

### Material specifications

Color	black
Flammability rating according to UL 94	V0 (Housing) V0 (Interlock)
Locking latch material	PA
Impact strength	IK06
Housing material	PA

### Ambient conditions

Degree of protection	IP66
Impact strength	IK06
Ambient temperature (operation)	-40 °C ... 125 °C

# Housing - HC-STA-D07-CHWS-1TGM25-PL-BK



1419260

<https://www.phoenixcontact.com/pc/products/1419260>

## Mechanical properties

### Mechanical data

Type of the screw connection	1x M25
Locking type	Latch

# Housing - HC-STA-D07-CHWS-1TGM25-PL-BK

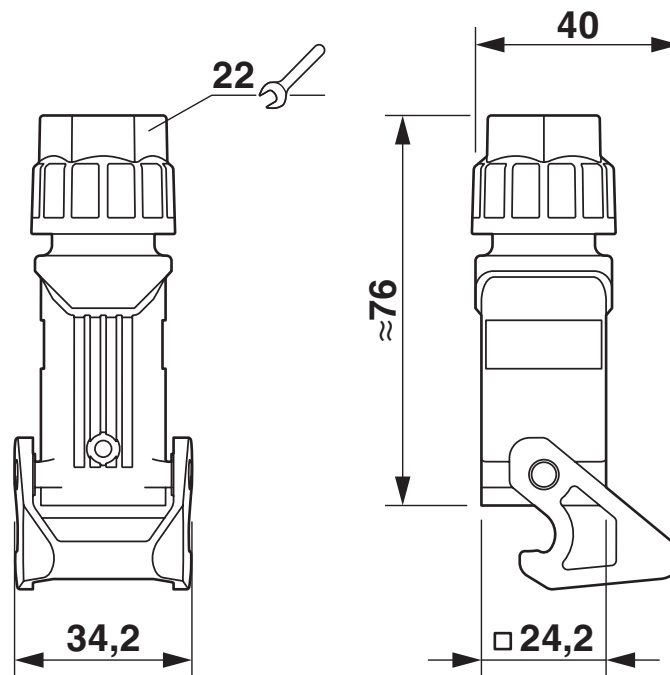
1419260

<https://www.phoenixcontact.com/pc/products/1419260>



## Drawings

Dimensional drawing



Dimensional drawing

1419260

<https://www.phoenixcontact.com/pc/products/1419260>

## Approvals

**DNV**

Approval ID: TAE000037S

**EAC**

**EAC**

Approval ID: RU C-DE.AI30.B.01102

**EAC**

**EAC**

Approval ID: RU C-DE.BL08.B.00511

1419260

<https://www.phoenixcontact.com/pc/products/1419260>

## Classifications

### ECLASS

ECLASS-9.0	27440202
ECLASS-10.0.1	27440202
ECLASS-11.0	27440202

### ETIM

ETIM 8.0	EC000437
----------	----------

### UNSPSC

UNSPSC 21.0	31261500
-------------	----------

1419260

<https://www.phoenixcontact.com/pc/products/1419260>

## Environmental Product Compliance

China RoHS	Environmentally Friendly Use Period = 50 years For information on hazardous substances, refer to the manufacturer's declaration available under "Downloads"
------------	--

1419260

<https://www.phoenixcontact.com/pc/products/1419260>

## Accessories

### Plastic label

Plastic label - US-EMLP (20X9) CUS - 0830085

<https://www.phoenixcontact.com/pc/products/0830085>

Plastic label, can be ordered: by card, white, labeled according to customer specifications, mounting type: adhesive, lettering field size: 20 x 9 mm, Number of individual labels: 75



---

## Housing brackets

Housing brackets - HC-D07-SL-PLBK - 1424440

<https://www.phoenixcontact.com/pc/products/1424440>

Replacement latch for HC-D7 housing



---

Phoenix Contact 2022 © - all rights reserved

<https://www.phoenixcontact.com>

PHOENIX CONTACT GmbH & Co. KG

Flachsmarktstraße 8

D-32825 Blomberg

+49 (0) 5235-3 00

[info@phoenixcontact.com](mailto:info@phoenixcontact.com)