

# Housing - HC-STA-D07-BWSCM-EL-AL



1419250

<https://www.phoenixcontact.com/pc/products/1419250>

Please be informed that the data shown in this PDF document is generated from our Online Catalog. Please find the complete data in the user documentation. Our General Terms of Use for Downloads are valid.

---



Panel mounting base D7, with single locking latch, material: Die-cast aluminum, salt water resistant, protective cover material: PA, height: 25.5 mm, cable gland: none, protective cover: yes, Standard, for pin inserts

---

# Housing - HC-STA-D07-BWSCM-EL-AL



1419250

<https://www.phoenixcontact.com/pc/products/1419250>

## Commercial Data

Item number	1419250
Packing unit	1 pc
Minimum order quantity	1 pc
Product Key	BF7APF
Catalog Page	Page 517 (C-2-2019)
GTIN	4055626159812
Weight per Piece (including packing)	26.1 g
Weight per Piece (excluding packing)	25.07 g
Customs tariff number	85389099
Country of origin	CN

## Technical Data

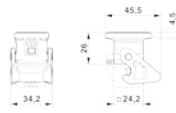
### Notes

General	for contact inserts HC-A03, A04, D07, D08, Q02, Q03, Q04, Q05, Q07, Q12
---------	---

### Product properties

Type	D7
Product type	Housing with locking latch
Application	Standard
Housing type	Panel mounting base
Protective cover	yes
Locking type	with single locking latch
Shielded	no
Pg screw connection	none

### Dimensions

Dimensional drawing	
Width	34.2 mm
Height	25.5 mm
Length	24.2 mm
Hole diameter	3.2 mm

### Installation dimensions

Width of the assembly cutout	21 mm
Length of the assembly cutout	21 mm

### Material specifications

Color	gray aluminum
Flammability rating according to UL 94	V0 (Interlock)
	V0 (Protective cover)
Sealing material	NBR (Flat gasket, conductive)
Housing surface material	uncoated
Material, protective cover	PA
Locking latch material	PA
Impact strength	IK06
Housing material	Die-cast aluminum, salt water resistant

### Ambient conditions

Degree of protection	IP66 (with locked protective cover)
	IP67 (when plugged in)

# Housing - HC-STA-D07-BWSCM-EL-AL



1419250

<https://www.phoenixcontact.com/pc/products/1419250>

Impact strength	IK06
Ambient temperature (operation)	-40 °C ... 125 °C

## Mechanical properties

### Mechanical data

Locking type	Latch
--------------	-------

## Mounting

Assembly instructions	For mounting pin inserts
-----------------------	--------------------------

# Housing - HC-STA-D07-BWSCM-EL-AL

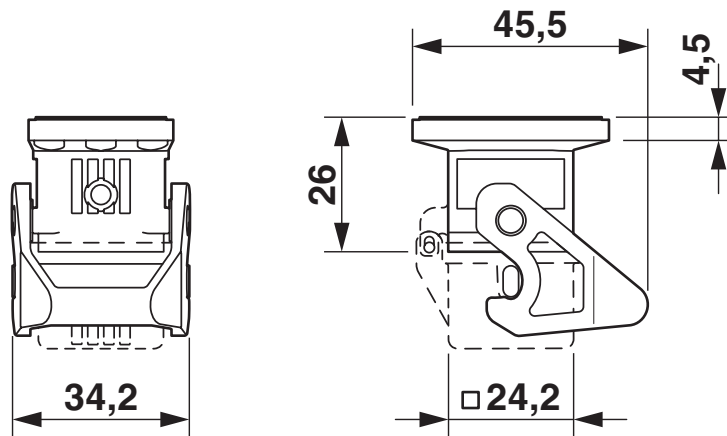
1419250

<https://www.phoenixcontact.com/pc/products/1419250>



## Drawings

Dimensional drawing

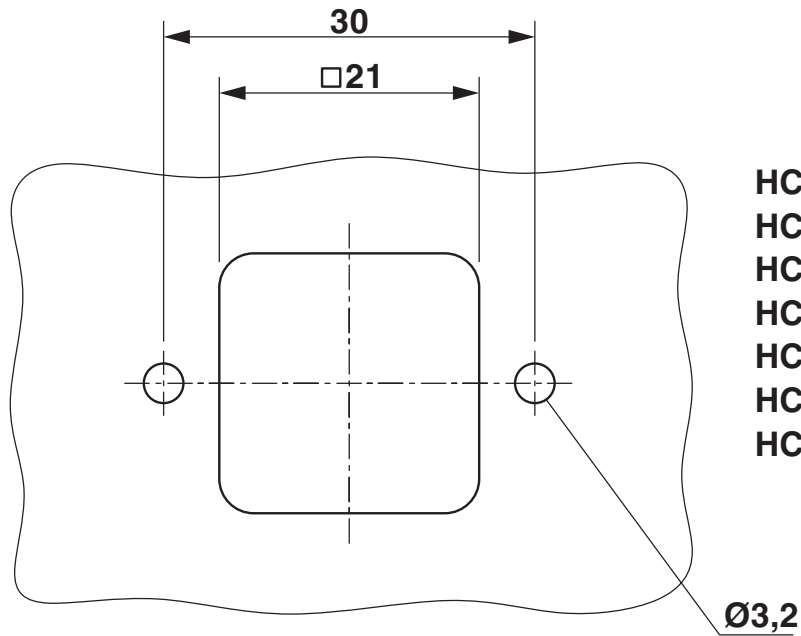


Dimensional drawing

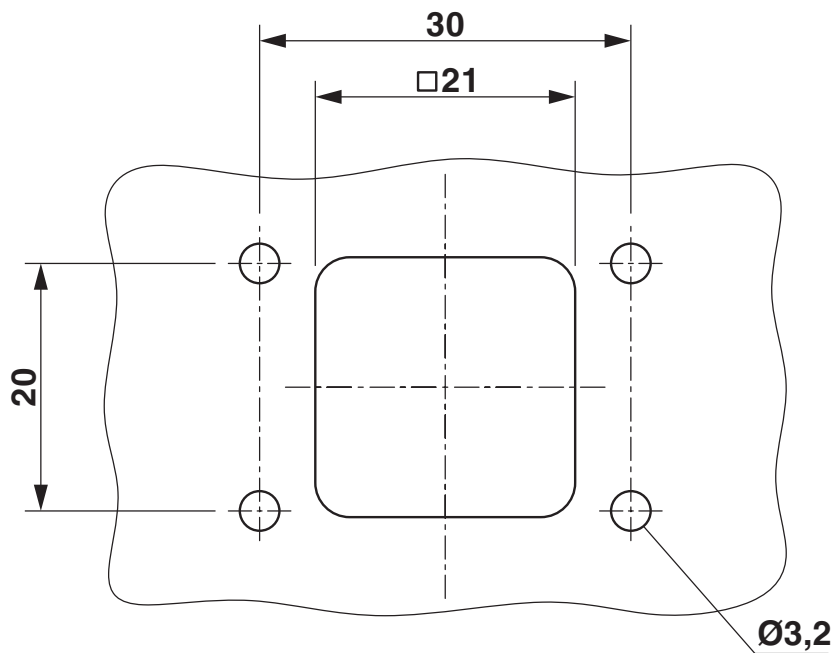
1419250

<https://www.phoenixcontact.com/pc/products/1419250>

Dimensional drawing



- HC-A03
- HC-A04
- HC-D07
- HC-D08
- HC-Q05
- HC-Q07
- HC-Q12



- HC-Q02
- HC-Q03
- HC-Q04

Mounting cutout

# Housing - HC-STA-D07-BWSCM-EL-AL



1419250

<https://www.phoenixcontact.com/pc/products/1419250>

## Approvals

**DNV**

Approval ID: TAE000037S

**ERC**

**EAC**

Approval ID: RU C-DE.AI30.B.01102

**ERC**

**EAC**

Approval ID: RU C-DE.BL08.B.00511

1419250

<https://www.phoenixcontact.com/pc/products/1419250>

## Classifications

### ECLASS

ECLASS-9.0	27440202
ECLASS-10.0.1	27440202
ECLASS-11.0	27440202

### ETIM

ETIM 8.0	EC000437
----------	----------

### UNSPSC

UNSPSC 21.0	31261500
-------------	----------

1419250

<https://www.phoenixcontact.com/pc/products/1419250>

## Environmental Product Compliance

China RoHS	Environmentally Friendly Use Period = 50 years For information on hazardous substances, refer to the manufacturer's declaration available under "Downloads"
------------	--

# Housing - HC-STA-D07-BWSCM-EL-AL



1419250

<https://www.phoenixcontact.com/pc/products/1419250>

## Accessories

### Housing brackets

Housing brackets - HC-D07-SL-PLBK - 1424440

<https://www.phoenixcontact.com/pc/products/1424440>

Replacement latch for HC-D7 housing



---

### Seal

Seal - HC-D07-SG-RBK - 1424441

<https://www.phoenixcontact.com/pc/products/1424441>

Replacement seal for HC-D7 housing



# Housing - HC-STA-D07-BWSCM-EL-AL



1419250

<https://www.phoenixcontact.com/pc/products/1419250>

## Plastic label

Plastic label - US-EMLP (20X9) CUS - 0830085

<https://www.phoenixcontact.com/pc/products/0830085>

Plastic label, can be ordered: by card, white, labeled according to customer specifications, mounting type: adhesive, lettering field size: 20 x 9 mm, Number of individual labels: 75



---

Phoenix Contact 2022 © - all rights reserved

<https://www.phoenixcontact.com>

PHOENIX CONTACT GmbH & Co. KG

Flachsmarktstraße 8

D-32825 Blomberg

+49 (0) 5235-3 00

[info@phoenixcontact.com](mailto:info@phoenixcontact.com)