

# Panel mounting frames - VS-V1-F-RJ45-MNNA-1-C-S- JI-S



1419185

<https://www.phoenixcontact.com/pc/products/1419185>

Please be informed that the data shown in this PDF document is generated from our Online Catalog. Please find the complete data in the user documentation. Our General Terms of Use for Downloads are valid.

---



RJ45 mounting frame, IP67, for bayonet interlocking, metal, with contact insert for cable connection, for round mounting cutout, with seal, without mounting screws

---

## Your advantages

- Round panel cutout
- IP65/67
- Bayonet locking

# Panel mounting frames - VS-V1-F-RJ45-MNNA-1-C-S- JI-S



1419185

<https://www.phoenixcontact.com/pc/products/1419185>

## Commercial Data

Item number	1419185
Packing unit	1 pc
Minimum order quantity	1 pc
Note	Made to Order (non-returnable)
Product Key	ABNBAB
Catalog Page	Page 351 (C-2-2017)
GTIN	4046356540384
Weight per Piece (including packing)	97.1 g
Weight per Piece (excluding packing)	94.2 g
Customs tariff number	85366990
Country of origin	DE

# Panel mounting frames - VS-V1-F-RJ45-MNNA-1-C-S-JI-S



1419185

<https://www.phoenixcontact.com/pc/products/1419185>

## Technical Data

### Notes

Order information:	Without mounting screws
--------------------	-------------------------

### Product properties

Type	Version 1
Product type	Panel mounting frame
Number of positions	8
Connection profile	RJ45
Number of slots	1

### Electrical properties

Rated voltage (III/3)	72 V (DC)
-----------------------	-----------

### Connection data

#### Connection technology

Connection method	Coupling
-------------------	----------

### Material specifications

Material	Metal
Flammability rating according to UL 94	V0
Seal material	NBR
Housing material	Zinc die-cast

### Connector

Insertion/withdrawal cycles	750
-----------------------------	-----

### Cable / line

#### Cable structure

Wire diameter	0.4 mm ... 0.64 mm
Wire diameter including insulation	1.6 mm

### Environmental and real-life conditions

#### Ambient conditions

Degree of protection	IP67
Ambient temperature (operation)	-40 °C ... 70 °C

### Mounting

Mounting type	Wall mounting
---------------	---------------

# Panel mounting frames - VS-V1-F-RJ45-MNNA-1-C-S-JI-S

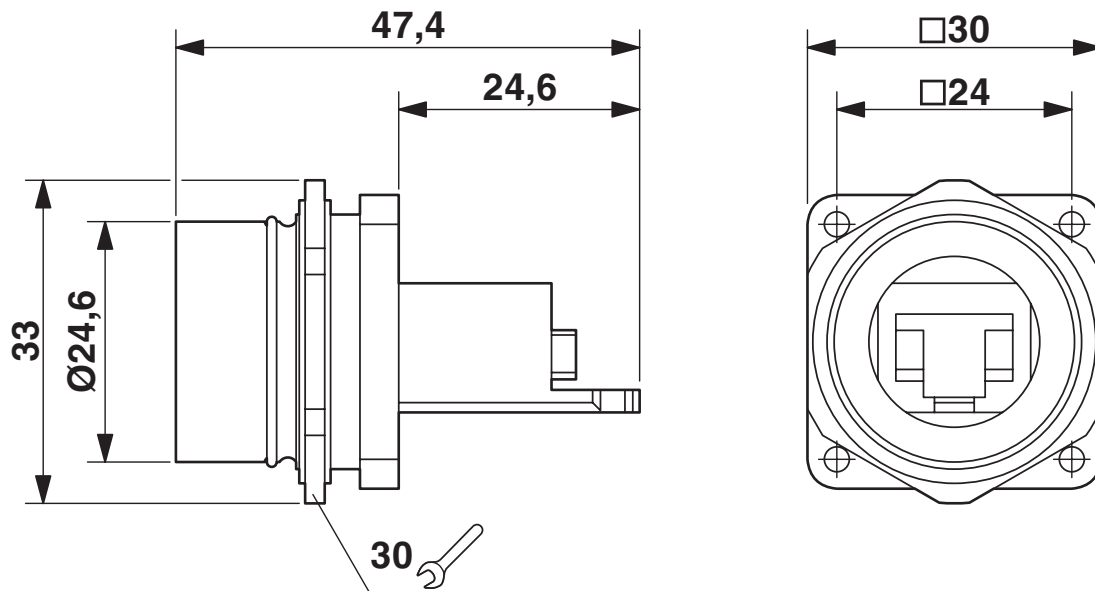


1419185

<https://www.phoenixcontact.com/pc/products/1419185>

## Drawings

Dimensional drawing



# Panel mounting frames - VS-V1-F-RJ45-MNNA-1-C-S- JI-S



1419185

<https://www.phoenixcontact.com/pc/products/1419185>

## Approvals



**EAC**

Approval ID: B.01687

# Panel mounting frames - VS-V1-F-RJ45-MNNA-1-C-S-JI-S



1419185

<https://www.phoenixcontact.com/pc/products/1419185>

## Classifications

### ECLASS

ECLASS-10.0.1	27440210
ECLASS-9.0	27440210
ECLASS-11.0	27440210

### ETIM

ETIM 8.0	EC002310
----------	----------

### UNSPSC

UNSPSC 21.0	39121400
-------------	----------

# Panel mounting frames - VS-V1-F-RJ45-MNNA-1-C-S- JI-S



1419185

<https://www.phoenixcontact.com/pc/products/1419185>

## Environmental Product Compliance

REACH SVHC	Lead 7439-92-1
China RoHS	Environmentally Friendly Use Period = 50 years
	For information on hazardous substances, refer to the manufacturer's declaration available under "Downloads"

# Panel mounting frames - VS-V1-F-RJ45-MNNA-1-C-S-JI-S



1419185

<https://www.phoenixcontact.com/pc/products/1419185>

## Accessories

### RJ45 connector

RJ45 connector - VS-V1-C-RJ45-MNNA-PG9-8-I-5-S - 1419182

<https://www.phoenixcontact.com/pc/products/1419182>



RJ45 connector, type: RJ45, degree of protection: IP67, number of positions: 8, CAT5 (IEC 11801:2002), material: Zinc die-cast, connection method: IDC connection, connection cross section: AWG 27- 24, color: silver

### Protective cover

Protective cover - VS-V1-F-PC-POBK - 1419186

<https://www.phoenixcontact.com/pc/products/1419186>



Protective cover, IP67, plastic version, to cover the contact insert in the RJ45,LC and SC-RJ panel mounting frame

Phoenix Contact 2022 © - all rights reserved

<https://www.phoenixcontact.com>

PHOENIX CONTACT GmbH & Co. KG

Flachsmarktstraße 8

D-32825 Blomberg

+49 (0) 5235-3 00

[info@phoenixcontact.com](mailto:info@phoenixcontact.com)