

# D-SUB crimp contact - CUC-DSC-C1BAU-S/DSC28



1418784

<https://www.phoenixcontact.com/in/products/1418784>

Please be informed that the data shown in this PDF document is generated from our Online Catalog. Please find the complete data in the user documentation. Our General Terms of Use for Downloads are valid.

---



D-SUB crimp contact, connection method: Crimp connection, connection cross section: AWG 28-26

---

## Product Description

Standard contact for D-SUB contact inserts

## Your advantages

- Various connection methods for every application
- High grade
- Turned contact

# D-SUB crimp contact - CUC-DSC-C1BAU-S/DSC28



1418784

<https://www.phoenixcontact.com/in/products/1418784>

## Commercial Data

Item number	1418784
Packing unit	100 pc
Minimum order quantity	100 pc
Sales Key	ABN
Product Key	ABNADC
Catalog Page	Page 446 (C-2-2019)
GTIN	4055626150727
Weight per Piece (including packing)	0.187 g
Weight per Piece (excluding packing)	0.166 g
Customs tariff number	85366990
Country of origin	CH

1418784

<https://www.phoenixcontact.com/in/products/1418784>

## Technical Data

### Product properties

Product type	Crimp contact
Type	Individual male contact
Contact type	turned
Series	HC-M-DSUB-C
	HC-M-08-GBIT
	HC-M-25
	HC-M-EMV

### Electrical properties

Rated surge voltage	1.2 kV (1 min.)
Rated current	5 A (at 20 °C)

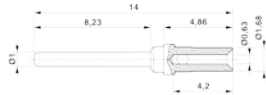
### Mounting

Mounting type	Crimp connection
---------------	------------------

### Material specifications

Contact material	Copper alloy
Contact surface material	0.2 µm, gold over nickel

### Dimensions

Dimensional drawing	
Width	1.7 mm
Height	1.7 mm

### Mechanical characteristics

Contact diameter	1 mm
------------------	------

### Environmental and real-life conditions

#### Ambient conditions

Ambient temperature (operation)	-55 °C ... 130 °C
---------------------------------	-------------------

# D-SUB crimp contact - CUC-DSC-C1BAU-S/DSC28

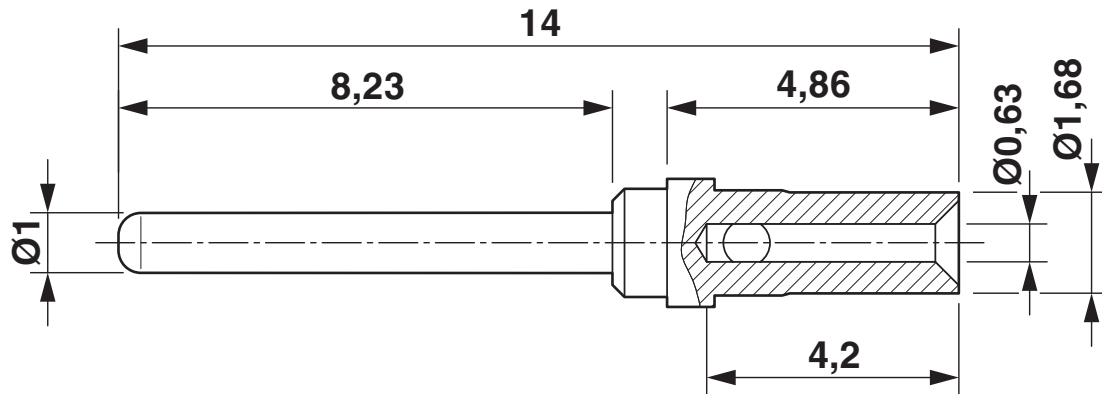


1418784

<https://www.phoenixcontact.com/in/products/1418784>

## Drawings

Dimensional drawing



D-SUB crimp contact pin

# D-SUB crimp contact - CUC-DSC-C1BAU-S/DSC28



1418784

<https://www.phoenixcontact.com/in/products/1418784>

## Approvals



**EAC**

Approval ID: B.01687

# D-SUB crimp contact - CUC-DSC-C1BAU-S/DSC28



1418784

<https://www.phoenixcontact.com/in/products/1418784>

## Classifications

### ECLASS

ECLASS-9.0	27440204
ECLASS-10.0.1	27440204
ECLASS-11.0	27440204

### ETIM

ETIM 8.0	EC000796
----------	----------

### UNSPSC

UNSPSC 21.0	39121500
-------------	----------

# D-SUB crimp contact - CUC-DSC-C1BAU-S/DSC28



1418784

<https://www.phoenixcontact.com/in/products/1418784>

## Environmental Product Compliance

REACH SVHC	Lead 7439-92-1
China RoHS	Environmentally Friendly Use Period = 50 years
	For information on hazardous substances, refer to the manufacturer's declaration available under "Downloads"

# D-SUB crimp contact - CUC-DSC-C1BAU-S/DSC28



1418784

<https://www.phoenixcontact.com/in/products/1418784>

## Accessories

### D-SUB contact support

D-SUB contact support - VS-09-ST-DSUB-CD-B - 1688858

<https://www.phoenixcontact.com/in/products/1688858>



D-SUB contact carrier, shell size 1, for nine signal contacts, type of contact pin, for crimp contacts, straight, fixing with 3 mm hole, for panel mounting frame and sleeve housing VS-09-...

---

### D-SUB contact support

D-SUB contact support - VS-15-ST-DSUB-CD-OG - 1688939

<https://www.phoenixcontact.com/in/products/1688939>



D-SUB contact carrier, shell size 2, for 15 signal contacts, type of contact pin, for crimp contacts, straight, fixing with a 3 mm hole, for panel mounting frame and sleeve housing VS-15-...

# D-SUB crimp contact - CUC-DSC-C1BAU-S/DSC28

1418784

<https://www.phoenixcontact.com/in/products/1418784>

## D-SUB contact support

D-SUB contact support - VS-25-ST-DSUB-CD-B - 1689954

<https://www.phoenixcontact.com/in/products/1689954>

D-SUB contact carrier, shell size 3, for 25 signal contacts, type of contact pin, for crimp contacts, straight, fixing with a 3 mm hole, for panel mounting frame and sleeve housing VS-25-...



---

## D-SUB contact support

D-SUB contact support - VS-09-ST-DSUB-CD-G - 1688832

<https://www.phoenixcontact.com/in/products/1688832>

D-SUB contact carrier, Shell size 1, for 9 signal contacts, pin contact type, for crimp contacts, straight, attachment with M3 thread, for VS-09-... panel mounting frames



# D-SUB crimp contact - CUC-DSC-C1BAU-S/DSC28



1418784

<https://www.phoenixcontact.com/in/products/1418784>

## D-SUB contact support

D-SUB contact support - VS-15-ST-DSUB-CD-MG - 1688913

<https://www.phoenixcontact.com/in/products/1688913>



D-SUB contact carrier, Shell size 2, for 15 signal contacts, pin contact type, for crimp contacts, straight, attachment with M3 thread, for VS-15-... panel mounting frames

---

## D-SUB contact support

D-SUB contact support - VS-25-ST-DSUB-CD-G - 1689938

<https://www.phoenixcontact.com/in/products/1689938>



D-SUB contact carrier, Shell size 3, for 25 signal contacts, pin contact type, for crimp contacts, straight, attachment with M3 thread, for VS-25-... panel mounting frames

# D-SUB crimp contact - CUC-DSC-C1BAU-S/DSC28



1418784

<https://www.phoenixcontact.com/in/products/1418784>

## Crimping pliers with digital display

Crimping pliers with digital display - CRIMPFOX-TC MP - 1212510

<https://www.phoenixcontact.com/in/products/1212510>



Crimping pliers, for turned contacts, universal cross section setting, up to a maximum of 2.5 mm<sup>2</sup>, digital display with 0.01 mm increments, pressure lock can be unlocked, including positioning tool

---

## Tool

Tool - VS-IET-DSUB-SIGNAL-STD - 1658794

<https://www.phoenixcontact.com/in/products/1658794>



Insertion/extraction tool, to insert and extract the D-SUB standard signal contacts

---

Phoenix Contact 2022 © - all rights reserved  
<https://www.phoenixcontact.com>

PHOENIX CONTACT (I) Pvt. Ltd.  
A-58/2, Okhla Industrial Area, Phase - II, New Delhi-110 020

+91.1275.71420  
[info@phoenixcontact.co.in](mailto:info@phoenixcontact.co.in)