

## OMNIMATE Signal - series RSV RSV1,6 S24 GR

**Weidmüller Interface GmbH & Co. KG**  
Klingenbergstraße 16  
D-32758 Detmold  
Germany  
Fon: +49 5231 1429-0  
Fax: +49 5231 14292083  
www.weidmueller.com

## Product picture



Rectangular plug-in connector for use with crimp contacts. Can be used as universal coupling, but also with the PCB variations. The crimp contacts guarantee a high connection density. CS 1.6 or CB 1.6 contacts can be used here. The plug-in connectors can be coded and locked to the mating connector. Supplied in cardboard box.

### General ordering data

Type	RSV1,6 S24 GR
Order No.	<a href="#">1418100000</a>
Version	PCB plug-in connector, male plug, 5.00 mm, No. of poles: 24, Crimp connection, Clamping range, rated connection, max.: 3.31 mm <sup>2</sup> , Box
GTIN (EAN)	4008190186913
Qty.	20 pc(s).
Product data	IEC: 630 V / 17 A UL: 600 V / 10 A / AWG 26 - AWG 12
Packaging	Box

**OMNIMATE Signal - series RSV  
RSV1,6 S24 GR**

**Weidmüller Interface GmbH & Co. KG**  
 Klingenbergstraße 16  
 D-32758 Detmold  
 Germany  
 Fon: +49 5231 1429-0  
 Fax: +49 5231 14292083  
 www.weidmueller.com

**Technical data****Dimensions and weights**

Net weight	17.46 g
------------	---------

**System parameters**

Product family		Type of connection	
Product family	OMNIMATE Signal - series RSV	Type of connection	Field connection
Wire connection method	Crimp connection	Pitch in mm (P)	5 mm
Pitch in inches (P)	0.197 inch	No. of poles	24
L1 in mm	25 mm	L1 in inches	0.984 inch
Number of rows	1	Pin series quantity	4
Touch-safe protection acc. to DIN VDE 57 106	Safe from finger touch, plugged	Touch-safe protection acc. to DIN VDE 0470	IP20 plugged
Stripping length	4 mm	push-in force/pole	9 N
Withdrawal force per pole	18 N	Packaging	Box

**Material data**

Insulating material	Wemid (PA)	Colour	Pebble grey
Colour chart (similar)	RAL 7032	Insulating material group	I
CTI	≥ 600	UL 94 flammability rating	V-0
Contact material	Cu-Leg	Storage temperature, min.	-25 °C
Storage temperature, max.	55 °C	Max. relative humidity during storage	80 %
Operating temperature, max.	100 °C	Temperature range, installation, max.	100 °C


**Conductors suitable for connection**

Clamping range, rated connection, min.	0.13 mm <sup>2</sup>	Clamping range, rated connection, max.	3.31 mm <sup>2</sup>
Flexible, min. H05(07) V-K	0.2 mm <sup>2</sup>	Flexible, max. H05(07) V-K	2.5 mm <sup>2</sup>

**Rated data acc. to IEC**

tested acc. to standard	IEC 60664-1, IEC 61984	Rated current, min. no. of poles (Ta = 20°C)	17 A
Rated current, max. no. of poles (Ta = 20°C)	13 A	Rated current, min. no. of poles (Ta = 40°C)	15 A
Rated current, max. no. of poles (Ta = 40°C)	11.5 A	Rated voltage for surge voltage class / pollution degree II/2	630 V
Rated voltage for surge voltage class / pollution degree III/2	400 V	Rated voltage for surge voltage class / pollution degree III/3	250 V
Rated impulse voltage for surge voltage class/ pollution degree II/2	4 kV	Rated impulse voltage for surge voltage class/ pollution degree III/2	4 kV
Rated impulse voltage for surge voltage class/ contamination degree III/3	4 kV	Short-time withstand current resistance	3 x 1s with 120 A

**Rated data acc. to CSA**

Institute (CSA)		Certificate No. (CSA)	53975-13
Rated voltage (Use group C)	600 V	Rated current (use group C)	13 A
Wire cross-section, AWG, min.	AWG 26	Wire cross-section, AWG, max.	AWG 12
Reference to approval values	Specifications are maximum values, details - see approval certificate.		

Creation date April 28, 2017 6:32:08 PM CEST

Catalogue status 25.04.2017 / We reserve the right to make technical changes.

**Data sheet**

**OMNIMATE Signal - series RSV  
RSV1,6 S24 GR**

**Weidmüller Interface GmbH & Co. KG**  
Klingenbergstraße 16  
D-32758 Detmold  
Germany  
Fon: +49 5231 1429-0  
Fax: +49 5231 14292083  
www.weidmueller.com

**Technical data**

**Rated data acc. to UL 1059**

Institute (UR)		Certificate No. (UR)	E92202
Reference to approval values	Specifications are maximum values, details - see approval certificate.		

**Classifications**

ETIM 3.0	EC001284	ETIM 4.0	EC002636
ETIM 5.0	EC002636	ETIM 6.0	EC002637
UNSPSC	30-21-18-10	eClass 5.1	27-26-07-01
eClass 6.2	27-26-07-03	eClass 7.1	27-44-01-01
eClass 8.1	27-44-01-01	eClass 9.0	27-44-01-01
eClass 9.1	27-44-04-02		

**Notes**

Notes	<ul style="list-style-type: none"> <li>• Additional colours on request</li> <li>• Rated current related to rated cross-section &amp; min. No. of poles.</li> <li>• Spacing between rows: see hole layout</li> <li>• Rated cross-section depends on crimp contact used.</li> <li>• Rated data refer only to the component itself. Clearance and creepage distances to other components are to be designed in accordance with the relevant application standards.</li> <li>• Max. outer diameter of the cable (with insulation): 3.5 mm</li> </ul>
IPC conformity	The products are developed, manufactured and delivered according to the internationally recognised IPC-A-610 standard, category "permissible". More extensive demands on the products can be evaluated on request.

**Approvals**

Approvals	
ROHS	Conform

**Downloads**

Approval/Certificate/Document of Conformity	<a href="#">Declaration of the Manufacturer</a>
Engineering Data	<a href="#">RSV1.6.zip</a>

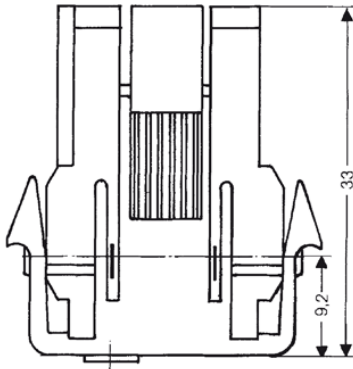
**Data sheet**

**OMNIMATE Signal - series RSV  
RSV1,6 S24 GR**

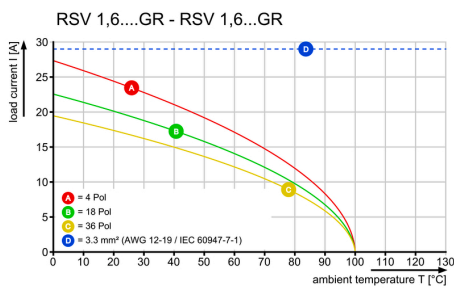
**Weidmüller Interface GmbH & Co. KG**  
 Klingenbergstraße 16  
 D-32758 Detmold  
 Germany  
 Fon: +49 5231 1429-0  
 Fax: +49 5231 14292083  
 www.weidmueller.com

**Drawings**

**Dimensional drawing**



**Graph**



## OMNIMATE Signal - series RSV RSV1,6 S24 GR

**Weidmüller Interface GmbH & Co. KG**  
 Klingenbergstraße 16  
 D-32758 Detmold  
 Germany  
 Fon: +49 5231 1429-0  
 Fax: +49 5231 14292083  
 www.weidmueller.com

# Accessories

### Coding elements



**Only connects what is supposed to be connected: the right connection at the right place.**

Coding elements and locking devices clearly assign connecting elements during the manufacturing process and operation

The coding elements and locking devices are inserted prior to assembly or during the cable assembly phase. The Weidmüller alternative: configure online using the variant configurator to precode prior to delivery.

Incorrect assembly on the circuit board and incorrect plugging of connecting elements is no longer possible. The advantage: no troubleshooting during manufacture and no operational errors by the user.

### General ordering data

Type	Order No.	Version	GTIN (EAN)	Qty.	Product data	Packaging
RSV1,6 KO	<a href="#">1567430000</a>	PCB plug-in connector, Accessories, Coding element, Black, No. of poles: 1	4008190169756	50 pc(s).		Box

### Adapters for rail mounting



**Clip on and use!**

From the circuit board in the control cabinet: snap-on or mounting feet form the link between plug-in connectors and terminal rails.

Compatible with all standard sizes: TS 15 or TS 35. Combination foot or variations available.

The quick alternative to screw connections: unbeatable ease of installation and service.

The mounting foot for the terminal rails allows the universal use of pluggable connection systems on the module, the enclosure and the control cabinet and avoids patchwork solutions.

### General ordering data

Type	Order No.	Version	GTIN (EAN)	Qty.	Product data	Packaging
RSV1,6 RF12/35x7.5 SW	<a href="#">1582940000</a>	PCB plug-in connector, Accessories, Clip-in foot, Black, No. of poles: 12	4008190068486	10 pc(s).		Box
RSV1,6 RF12/35x15 SW	<a href="#">1690140000</a>	PCB plug-in connector, Accessories, Clip-in foot, Black, No. of poles: 12	4008190863005	10 pc(s).		Box

**OMNIMATE Signal - series RSV  
RSV1,6 S24 GR**

**Weidmüller Interface GmbH & Co. KG**  
 Klingenbergstraße 16  
 D-32758 Detmold  
 Germany  
 Fon: +49 5231 1429-0  
 Fax: +49 5231 14292083  
 www.weidmueller.com

**Accessories****Pin contact, long****For a reliable contact - CB/CS crimp contact.**

The combination of RSV housings and Weidmüller's crimp contacts enable custom adaptations to the specific requirements of your applications.

The following product options are available depending on the system:

- Safe centring of the contacts using the three-segment pin tips
- High contact reliability using four defined contact points
- Locking clasp in the cantilever spring for a secure mount of the contacts in the housing
- Pin contacts with two lengths to implement leading-pin contacts
- Up to 100 plugging cycles (tin version)
- Up to 500 plugging cycles (gold version)

The appropriate high-quality tools from Weidmüller guarantee professional processing.

**General ordering data**

Type	Order No.	Version	GTIN (EAN)	Qty.	Product data	Packaging
CSL1,6E18-16 AU,75 I3,5	<a href="#">1582330000</a>	PCB plug-in connector, Crimp contact, Individual contact, Pin – long, Gold- plated, Max. clamping range : 1.5 mm <sup>2</sup>	4008190066079	250 pc(s).		Box
CSL1,6E18-16 SN I3,5	<a href="#">1582350000</a>	PCB plug-in connector, Crimp contact, Individual contact, Pin – long, tinned, Max. clamping range : 1.5 mm <sup>2</sup>	4008190033620	250 pc(s).		Box
Discontinued	2016-09-01T00:00:00+02:00	CSL1,6R14-12 SN I4,2	<a href="#">1582400000</a>	PCB plug-in connector, Crimp contact, Reel packaged, Pin – long, tinned, Max. clamping range : 2.5 mm <sup>2</sup>	4008190112912	3,000 pc(s).
CSL1,6R18-16 AU,75 I2,5	<a href="#">1565790000</a>	PCB plug-in connector, Crimp contact, Reel packaged, Pin – long, Gold- plated, Max. clamping range : 1.5 mm <sup>2</sup>	4008190021870	5,000 pc(s).		Box
CSL1,6E14-12 SN I3,5	<a href="#">1429700000</a>	PCB plug-in connector, Crimp contact, Individual contact, Pin – long, tinned, Max. clamping range : 2.5 mm <sup>2</sup>	4008190065577	250 pc(s).		Box
CSL1,6R18-16 SN I2,5	<a href="#">1565810000</a>	PCB plug-in connector, Crimp contact, Reel	4008190056803	5,000 pc(s).		Box

Creation date April 28, 2017 6:32:08 PM CEST

**OMNIMATE Signal - series RSV**  
**RSV1,6 S24 GR**

**Weidmüller Interface GmbH & Co. KG**  
 Klingenbergstraße 16  
 D-32758 Detmold  
 Germany  
 Fon: +49 5231 1429-0  
 Fax: +49 5231 14292083  
 www.weidmueller.com

**Accessories**

		packaged, Pin – long, tinned, Max. clamping range : 1.5 mm <sup>2</sup>			
CSL1,6R26-24 <a href="#">1565900000</a> SN I1,4	PCB plug-in connector, Crimp contact, Reel packaged, Pin – long, tinned, Max. clamping range : 0.25 mm <sup>2</sup>	4008190139797 5,000 pc(s).			Box
CSL1,6E22-20 <a href="#">1423700000</a> SN I1,8	PCB plug-in connector, Crimp contact, Individual contact, Pin – long, tinned, Max. clamping range : 0.5 mm <sup>2</sup>	4008190001766 250 pc(s).			Box
CSL1,6E22-20 <a href="#">1422700000</a> AU,75 I1,8	PCB plug-in connector, Crimp contact, Individual contact, Pin – long, Gold- plated, Max. clamping range : 0.5 mm <sup>2</sup>	4008190168667 250 pc(s).			Box
CSL1,6E26-24 <a href="#">1420700000</a> AU,75 I1,4	PCB plug-in connector, Crimp contact, Individual contact, Pin – long, Gold- plated, Max. clamping range : 0.25 mm <sup>2</sup>	4008190130176 250 pc(s).			Box
Discontinued 2016-09-01T00:00:00+02:00	CSL1,6R26-24 AU,75 I1,4 <a href="#">1565880000</a>	PCB plug-in connector, Crimp contact, Reel packaged, Pin – long, Gold-plated, Max. clamping range : 0.25 mm <sup>2</sup>	4008190140410		5,000 pc(s).
CSL1,6R14-12 <a href="#">1565780000</a> SN I3,5	PCB plug-in connector, Crimp contact, Reel packaged, Pin – long, tinned, Max. clamping range : 2.5 mm <sup>2</sup>	4008190056735 4,000 pc(s).			Box
CSL1,6E22-20 <a href="#">1425700000</a> SN I2,5	PCB plug-in connector, Crimp contact, Individual contact, Pin – long, tinned, Max. clamping range : 0.5 mm <sup>2</sup>	4008190175016 250 pc(s).			Box
CSL1,6E26-24 <a href="#">1421700000</a> SN I1,4	PCB plug-in connector, Crimp contact, Individual contact, Pin – long, tinned, Max. clamping range : 0.25 mm <sup>2</sup>	4008190109042 250 pc(s).			Box
Discontinued 2016-09-01T00:00:00+02:00	CSL1,6R14-12 AU,75 I4,2 <a href="#">1582380000</a>	PCB plug-in connector, Crimp contact, Reel packaged, Pin – long, Gold-plated, Max. clamping range : 2.5 mm <sup>2</sup>	4008190130213		3,000 pc(s).
CSL1,6R22-20 <a href="#">1565870000</a> SN I1,8	PCB plug-in connector, Crimp contact, Reel	4008190086596 5,000 pc(s).			Box

Creation date April 28, 2017 6:32:08 PM CEST

Catalogue status 25.04.2017 / We reserve the right to make technical changes.

7

**OMNIMATE Signal - series RSV**  
**RSV1,6 S24 GR**

**Weidmüller Interface GmbH & Co. KG**  
 Klingenbergstraße 16  
 D-32758 Detmold  
 Germany  
 Fon: +49 5231 1429-0  
 Fax: +49 5231 14292083  
 www.weidmueller.com

**Accessories**

			packaged, Pin – long, tinned, Max. clamping range : 0.5 mm <sup>2</sup>			
CSL1,6R22-20 <a href="#">1565820000</a>			PCB plug-in connector, Crimp contact, Reel packaged, Pin – long, Gold- plated, Max. clamping range : 0.5 mm <sup>2</sup>	4008190130732	5,000 pc(s).	Box
AU,75 I2,5						
CSL1,6E14-12 <a href="#">1582370000</a>			PCB plug-in connector, Crimp contact, Individual contact, Pin – long, Gold- plated, Max. clamping range : 2.5 mm <sup>2</sup>	4008190055608	250 pc(s).	Box
AU,75 I4,2						
Discontinued 2016-09-01T00:00:00+02:00			CSL1,6R18-16 AU,75 I3,5 <a href="#">1582340000</a>	PCB plug-in connector, Crimp contact, Reel packaged, Pin – long, Gold-plated, Max. clamping range : 1.5 mm <sup>2</sup>	4008190086756	4,000 pc(s).
CSL1,6E18-16 <a href="#">1426700000</a>			PCB plug-in connector, Crimp contact, Individual contact, Pin – long, Gold- plated, Max. clamping range : 1.5 mm <sup>2</sup>	4008190170516	250 pc(s).	Box
AU,75 I2,5						
Discontinued 2016-09-01T00:00:00+02:00			CSL1,6R14-12 AU,75 I3,5 <a href="#">1565760000</a>	PCB plug-in connector, Crimp contact, Reel packaged, Pin – long, Gold-plated, Max. clamping range : 2.5 mm <sup>2</sup>	4008190134693	4,000 pc(s).
CSL1,6E14-12 <a href="#">1428700000</a>			PCB plug-in connector, Crimp contact, Individual contact, Pin – long, Gold- plated, Max. clamping range : 2.5 mm <sup>2</sup>	4008190098353	250 pc(s).	Box
AU,75 I3,5						
CSL1,6E18-16 <a href="#">1427700000</a>			PCB plug-in connector, Crimp contact, Individual contact, Pin – long, tinned, Max. clamping range : 1.5 mm <sup>2</sup>	4008190057725	250 pc(s).	Box
SN I2,5						
Discontinued 2016-09-01T00:00:00+02:00			CSL1,6R22-20 SN I2,5 <a href="#">1565840000</a>	PCB plug-in connector, Crimp contact, Reel packaged, Pin – long, tinned, Max. clamping range : 0.5 mm <sup>2</sup>	4008190096014	5,000 pc(s).
CSL1,6E22-20 <a href="#">1424700000</a>			PCB plug-in connector, Crimp contact, Individual contact, Pin – long, Gold- plated, Max. clamping range : 0.5 mm <sup>2</sup>	4008190143350	250 pc(s).	Box
AU,75 I2,5						

**OMNIMATE Signal - series RSV  
RSV1,6 S24 GR**

**Weidmüller Interface GmbH & Co. KG**  
Klingenbergstraße 16  
D-32758 Detmold  
Germany  
Fon: +49 5231 1429-0  
Fax: +49 5231 14292083  
www.weidmueller.com

**Accessories**

CSL1,6E14-12 <a href="#">1582390000</a> SN I4,2	PCB plug-in connector, Crimp contact, Individual contact, Pin – long, tinned, Max. clamping range : 2.5 mm <sup>2</sup>	4008190166762 250 pc(s).		Box
CSL1,6R18-16 <a href="#">1582360000</a> SN I3,5	PCB plug-in connector, Crimp contact, Reel packaged, Pin – long, tinned, Max. clamping range : 1.5 mm <sup>2</sup>	4008190063214 4,000 pc(s).		Box
Discontinued 2016-09-01T00:00:00+02:00	CSL1,6R22-20 AU,75 I1,8 <a href="#">1565850000</a>	PCB plug-in connector, Crimp contact, Reel packaged, Pin – long, Gold-plated, Max. clamping range : 0.5 mm <sup>2</sup>	4008190176600	5,000 pc(s).

**Pin contact standard**

**For a reliable contact - CB/CS crimp contact.**

The combination of RSV housings and Weidmüller's crimp contacts enable custom adaptations to the specific requirements of your applications. The following product options are available depending on the system:

- Safe centring of the contacts using the three-segment pin tips
- High contact reliability using four defined contact points
- Locking clasp in the cantilever spring for a secure mount of the contacts in the housing
- Pin contacts with two lengths to implement leading-pin contacts
- Up to 100 plugging cycles (tin version)
- Up to 500 plugging cycles (gold version)

The appropriate high-quality tools from Weidmüller guarantee professional processing.

**General ordering data**

Delivery status Available until	Type	Order No.	Version	GTIN (EAN)	Qty.
Discontinued 2016-09-01T00:00:00+02:00	CS1,6R26-24 SN I1,4	<a href="#">1421500000</a>	PCB plug-in connector, Crimp contact, Reel packaged, Pin – standard, tinned, Max. clamping range : 0.25 mm <sup>2</sup>	4008190064310	5,000 pc(s).
CS1,6E26-24 <a href="#">1420600000</a> AU,75 I1,4	PCB plug-in connector, Crimp contact, Individual contact, Pin – standard,	4008190082772 250 pc(s).			Box

**OMNIMATE Signal - series RSV**  
**RSV1,6 S24 GR**

**Weidmüller Interface GmbH & Co. KG**  
 Klingenbergstraße 16  
 D-32758 Detmold  
 Germany  
 Fon: +49 5231 1429-0  
 Fax: +49 5231 14292083  
 www.weidmueller.com

**Accessories**

		Gold-plated, Max. clamping range : 0.25 mm <sup>2</sup>		
CS1,6E14-12 SN I4,2	<a href="#">1582310000</a>	PCB plug-in connector, Crimp contact, Individual contact, Pin – standard, tinned, Max. clamping range : 2.5 mm <sup>2</sup>	4008190032975 250 pc(s).	Box
CS1,6R22-20 SN I1,8	<a href="#">1423500000</a>	PCB plug-in connector, Crimp contact, Reel packaged, Pin – standard, tinned, Max. clamping range : 0.5 mm <sup>2</sup>	4008190085063 5,000 pc(s).	Reel
CS1,6R18-16 SN I3,5	<a href="#">1582280000</a>	PCB plug-in connector, Crimp contact, Reel packaged, Pin – standard, tinned, Max. clamping range : 1.5 mm <sup>2</sup>	4008190029401 4,000 pc(s).	Reel
CS1,6E14-12 AU,75 I4,2	<a href="#">1582290000</a>	PCB plug-in connector, Crimp contact, Individual contact, Pin – standard, Gold-plated, Max. clamping range : 2.5 mm <sup>2</sup>	4008190015244 250 pc(s).	Box
CS1,6R22-20 AU,75 I2,5	<a href="#">1424500000</a>	PCB plug-in connector, Crimp contact, Reel packaged, Pin – standard, Gold-plated, Max. clamping range : 0.5 mm <sup>2</sup>	4008190158811 5,000 pc(s).	Reel
CS1,6R22-20 AU,75 I1,8	<a href="#">1422500000</a>	PCB plug-in connector, Crimp contact, Reel packaged, Pin – standard, Gold-plated, Max. clamping range : 0.5 mm <sup>2</sup>	4008190093648 5,000 pc(s).	Reel
CS1,6R14-12 AU,75 I3,5	<a href="#">1428500000</a>	PCB plug-in connector, Crimp contact, Reel packaged, Pin – standard, Gold-plated, Max. clamping range : 2.5 mm <sup>2</sup>	4008190023201 3,000 pc(s).	Reel
CS1,6E22-20 AU,75 I2,5	<a href="#">1424600000</a>	PCB plug-in connector, Crimp contact, Individual contact, Pin – standard, Gold-plated, Max. clamping range : 0.5 mm <sup>2</sup>	4008190186562 250 pc(s).	Box
CS1,6R22-20 SN I2,5	<a href="#">1425500000</a>	PCB plug-in connector, Crimp contact, Reel packaged, Pin – standard, tinned, Max. clamping range : 0.5 mm <sup>2</sup>	4008190004781 5,000 pc(s).	Reel
CS1,6E14-12 AU,75 I3,5	<a href="#">1428600000</a>	PCB plug-in connector, Crimp contact, Individual contact, Pin – standard, Gold-plated, Max. clamping range : 2.5 mm <sup>2</sup>	4008190078867 250 pc(s).	Box
Discontinued 2016-04-08T00:00:00+02:00		CS1,6RB18-16 AU,75 I3,5 <a href="#">1017080000</a>	PCB plug-in connector, Crimp	4032248727711 4,000 pc(s).

**OMNIMATE Signal - series RSV**  
**RSV1,6 S24 GR**

**Weidmüller Interface GmbH & Co. KG**  
 Klingenbergstraße 16  
 D-32758 Detmold  
 Germany  
 Fon: +49 5231 1429-0  
 Fax: +49 5231 14292083  
 www.weidmueller.com

**Accessories**

contact, Reel  
 packaged, Pin –  
 standard, Gold-  
 plated, Max.  
 clamping range :  
 1.5 mm<sup>2</sup>

CS1,6R14-12 SN I3,5	<a href="#">1429500000</a>	PCB plug-in connector, Crimp contact, Reel packaged, Pin – standard, tinned, Max. clamping range : 2.5 mm <sup>2</sup>	4008190113919 4,000 pc(s).	Reel	
CS1,6E18-16 AU,75 I3,5	<a href="#">1582250000</a>	PCB plug-in connector, Crimp contact, Individual contact, Pin – standard, Gold-plated, Max. clamping range : 1.5 mm <sup>2</sup>	4008190135614 250 pc(s).	Box	
CS1,6E22-20 AU,75 I1,8	<a href="#">1422600000</a>	PCB plug-in connector, Crimp contact, Individual contact, Pin – standard, Gold-plated, Max. clamping range : 0.5 mm <sup>2</sup>	4008190090463 250 pc(s).	Box	
CS1,6E26-24 SN I1,4	<a href="#">1421600000</a>	PCB plug-in connector, Crimp contact, Individual contact, Pin – standard, tinned, Max. clamping range : 0.25 mm <sup>2</sup>	4008190009939 250 pc(s).	Box	
CS1,6E18-16 SN I2,5	<a href="#">1427600000</a>	PCB plug-in connector, Crimp contact, Individual contact, Pin – standard, tinned, Max. clamping range : 1.5 mm <sup>2</sup>	4008190090654 250 pc(s).	Box	
CS1,6E22-20 SN I1,8	<a href="#">1423600000</a>	PCB plug-in connector, Crimp contact, Individual contact, Pin – standard, tinned, Max. clamping range : 0.5 mm <sup>2</sup>	4008190061876 250 pc(s).	Box	
CS1,6E14-12 SN I3,5	<a href="#">1429600000</a>	PCB plug-in connector, Crimp contact, Individual contact, Pin – standard, tinned, Max. clamping range : 2.5 mm <sup>2</sup>	4008190030728 250 pc(s).	Box	
CS1,6E18-16 AU,75 I2,5	<a href="#">1426600000</a>	PCB plug-in connector, Crimp contact, Individual contact, Pin – standard, Gold-plated, Max. clamping range : 1.5 mm <sup>2</sup>	4008190182861 250 pc(s).	Box	
Discontinued	2016-09-01T00:00:00+02:00	CS1,6R14-12 AU,75 I4,2	<a href="#">1582300000</a>	PCB plug-in connector, Crimp contact, Reel packaged, Pin – standard, Gold- plated, Max. clamping range : 2.5 mm <sup>2</sup>	4008190020668 3,000 pc(s).

**OMNIMATE Signal - series RSV**  
**RSV1,6 S24 GR**

**Weidmüller Interface GmbH & Co. KG**  
 Klingenbergstraße 16  
 D-32758 Detmold  
 Germany  
 Fon: +49 5231 1429-0  
 Fax: +49 5231 14292083  
 www.weidmueller.com

**Accessories**

CS1,6R14-12 <a href="#">1582320000</a> SN I4,2	PCB plug-in connector, Crimp contact, Reel packaged, Pin – standard, tinned, Max. clamping range : 2,5 mm <sup>2</sup>	4008190008680 3,000 pc(s).	Reel
CS1,6R18-16 <a href="#">1427500000</a> SN I2,5	PCB plug-in connector, Crimp contact, Reel packaged, Pin – standard, tinned, Max. clamping range : 1,5 mm <sup>2</sup>	4008190014551 5,000 pc(s).	Reel
CS1,6R18-16 <a href="#">1582260000</a> AU,75 I3,5	PCB plug-in connector, Crimp contact, Reel packaged, Pin – standard, Gold-plated, Max. clamping range : 1,5 mm <sup>2</sup>	4008190184100 4,000 pc(s).	Reel
CS1,6E22-20 <a href="#">1425600000</a> SN I2,5	PCB plug-in connector, Crimp contact, Individual contact, Pin – standard, tinned, Max. clamping range : 0,5 mm <sup>2</sup>	4008190048884 250 pc(s).	Box
CS1,6R18-16 <a href="#">1426500000</a> AU,75 I2,5	PCB plug-in connector, Crimp contact, Reel packaged, Pin – standard, Gold-plated, Max. clamping range : 1,5 mm <sup>2</sup>	4008190159146 5,000 pc(s).	Reel
CS1,6E18-16 <a href="#">1582270000</a> SN I3,5	PCB plug-in connector, Crimp contact, Individual contact, Pin – standard, tinned, Max. clamping range : 1,5 mm <sup>2</sup>	4008190126049 250 pc(s).	Box
Discontinued 2016-09-01T00:00:00+02:00	CS1,6R26-24 AU,75 I1,4 <a href="#">1420500000</a>	PCB plug-in connector, Crimp contact, Reel packaged, Pin – standard, Gold- plated, Max. clamping range : 0,25 mm <sup>2</sup>	4008190117931 5,000 pc(s).

**OMNIMATE Signal - series RSV  
RSV1,6 S24 GR**

**Weidmüller Interface GmbH & Co. KG**  
Klingenbergstraße 16  
D-32758 Detmold  
Germany  
Fon: +49 5231 1429-0  
Fax: +49 5231 14292083  
www.weidmueller.com

**Accessories**

**Strain reliefs**



**For frequent load changes: the "trailer coupling" for plug-in connectors.**

The strain relief can do more than just relieve the strain on conductors:

Simply clip onto the plug and

- bundle conductors
- guide cables
- use as a connection and disconnection aid

No damage to the connecting points, clear, tidy wiring and easy to handle.

User advantages: permanent heavy-duty connections for harsh industrial environments and convenient operation ensure improved system availability.

**General ordering data**

Type	Order No.	Version	GTIN (EAN)	Qty.	Product data	Packaging
RSV1,6 ZE12 BK BX	<a href="#">1563300000</a>	PCB plug-in connector, Accessories, Strain relief, Black, No. of poles: 12	400819009587 1 25 pc(s).			Box


# Addresses worldwide


Let's connect.

- AE United Arab Emirates**  
Weidmüller Middle East FZE  
Warehouse Q3-79  
SAIF-Zone  
P.O. BOX 8591  
Sharjah  
Telephone number +971 65572723  
Fax number +971 65572724  
wme.info@weidmueller.com
- AF Afghanistan**  
Representative Office  
  
AF 11050 Beograd  
Telephone number +381 11 2885 274  
Fax number +381 11 2885 274  
zoran.rabrenovic@weidmueller.com
- AO Angola**  
Please contact  
Phambili Interface  
South Africa
- AR Argentina**  
CPI SA  
Bauness 2660  
C1431DOF Buenos Aires  
Telephone number +54 11 4523 8008  
Fax number +54 11 4522 0546  
info@cpi.com.ar  
www.cpi.com.ar
- AT Austria**  
Weidmüller GmbH  
IZ NOE Süd, Str. 2b, Obj M59,  
2355 Wiener Neudorf  
Telephone number +43 2236 67080  
Fax number +43 2236 6708-899  
office.at@weidmueller.com  
www.weidmueller.com
- AU Australia**  
Weidmüller Pty. Ltd.  
PO BOX 6944  
Huntingwood 2148  
Huntingwood Drive 43  
Huntingwood NSW 2148  
Telephone number +61 2 9671 9999  
Fax number +61 2 9671 9911  
info@weidmuller.com.au  
www.weidmuller.com.au
- AZ Azerbaijan**  
Representative Office  
Weidmüller Interface  
Demirchi Tower, 4th floor  
37, Khojali ave.  
AZ 1025 Baku  
Telephone number +994 12 488 80 36  
Fax number +994 12 488 80 37  
aliyar.hashimli@weidmueller.com
- BA Bosnia and Herzegovina**  
Please contact  
our Representative Office  
Weidmüller Interface GmbH  
& Co. KG  
Serbia  
  
or  
BH ES Elektrosistem d.o.o.  
Palih boraca 104  
78000 Banja Luka  
Telephone number +387 51 420 340  
Fax number  
elsist@inecco.net  
www.elektrosistem.ba  
BIG electric d.o.o  
Mladena Stojanovića 117A  
78000 Banja Luka  
Telephone number +387 51926277  
Fax number +387 51926277  
bigelectric@blic.net  
www.bigelectric.ba
- BE Belgium**  
Weidmüller Benelux B. V.  
Mechelsesteenweg 519 bus  
6 en 7  
1930 Nossegem  
Telephone number +32 2 752 40 70  
Fax number +32 2 751 36 06  
info@weidmueller.be  
www.weidmueller.be
- BG Bulgaria**  
Weid-Bul EOOD  
Bul. „Kliment Ohridski“ 13  
1756 Sofia  
Telephone number +359 2 963 2560  
Fax number +359 2 963 1098  
sofia@weidbul.com  
www.weidbul.com
- BH Bahrain**  
Khayber Trading Company  
P.O.Box 1976  
Manama  
Telephone number +973 720747  
Fax number +973 720331  
khayber@batelco.com.bh
- BR Brazil**  
Weidmüller Conexel do Brasil  
Conexões Elétricas Ltda.  
Av. Presidente Juscelino, 642  
- Piraporinha  
Diadema, São Paulo  
09950-370  
Telephone number +55 (11) 4366-9600  
Fax number +55 (11) 4362-1677  
vendas@weidmueller.com.br  
www.weidmueller.com.br
- BW Botswana**  
Please contact  
Phambili Interface  
South Africa
- BY Belarus**  
TECHNIKON Ltd.  
Nezavisimosti pr. 177-9  
220125 Minsk  
Telephone number +375 17 393-11-77  
Fax number +375 17 3930080  
wm@technikon.by
- CA Canada**  
W Interconnections Canada  
Inc.  
10 Spy Court  
Markham Ontario L3R 5H6  
Telephone number +1 (905) 475-1507 Ext. 9836  
Fax number +1 (905) 475-2798  
support@weidmuller.ca  
www.weidmuller.ca
- CG Congo**  
Please contact  
Phambili Interface  
South Africa
- CH Switzerland**  
Weidmüller Schweiz AG  
Rundbuckstraße 2  
8212 Neuhausen am  
Rheinfall SH  
Telephone number +41 52 674 07 07  
Fax number +41 52 674 07 08  
info@weidmueller.ch  
www.weidmueller.ch
- CL Chile**  
CPI CHILE LTDA  
Av. Presidente Frei Montalva  
6001, 47 complejo el cortijo  
Santiago - Conchalí  
Telephone number +562 963 8440  
Fax number +562 963 8440  
cpi@cpichile.cl  
www.cpichile.cl
- CN China**  
Weidmüller Interface  
(Shanghai) Co. Ltd.  
100 Yutong Road  
25 F. BM Intercontinental  
Business Center  
200070 Shanghai  
Telephone number +86 21-22195008  
Fax number +86 21-22195009  
customer.hotline@weidmueller.com.cn  
www.weidmueller.com.cn
- CO Colombia**  
Automatización Avanzada  
S. A.  
Carrera 97 No., 24 c - 23  
Bodega 4  
110911 Bogotá-D.C.  
Telephone number +57 (1) 547-8510  
Fax number +57 (1) 422-3044  
comercial@automatizacionavanzada.com  
www.automatizacionavanzada.com
- CR Costa Rica**  
ELVATRON S. A.  
la Uruca 400 Norte Banco  
Costa Rica  
San Jose Costa Rica  
Telephone number +506 2961-060  
Fax number +506 5200-609  
dirk.haase@elvatron.com  
www.elvatron.com
- CZ Czech Republic**  
Weidmüller s.r.o.  
Lomnického 5/1705  
140 00 Praha 4  
Telephone number +420 244 001 400  
Fax number +420 244 001 499  
office@weidmueller.cz  
www.weidmueller.cz
- DE Germany**  
Weidmüller GmbH & Co. KG  
Ohmstraße 9  
32758 Detmold  
Postfach 30 54  
32720 Detmold  
Telephone number +49 5231 1428-0  
Fax number +49 5231 14-292083  
weidmueller@weidmueller.de  
www.weidmueller.de
- DK Denmark**  
Weidmüller Danmark  
Vallensbækvej 18A  
2605 Brøndby  
Telephone number +45 27747800  
kundeservice@weidmuller.dk  
www.weidmuller.dk
- DZ Algeria**  
SARL INTER ELECTRIC  
1a Angles des Rues Okba Ibn  
Nafaa et Hassi Beida  
2300 Annaba  
Telephone number  
Fax number  
contact@inter-electric.com
- EC Ecuador**  
Elsystec S. A., Electricidad  
Sistemas y Tecnología  
Vasco de Contreras N35-251  
y Mañosa  
Quito - Pichincha  
Telephone number +593 22456510  
Fax number +593 22456755  
Elsystec@uio.satnet.net
- EE Estonia**  
Please contact  
our Representative Office  
Weidmüller Interface GmbH  
& Co. KG  
Latvia  
  
or  
SLO Eesti AS  
  
11415 Tallinn  
Telephone number +372 6 272 200  
Fax number  
info@slo.ee  
  
SLO Eesti AS  
  
12618 Tallinn  
Telephone number +372 622.9119  
Fax number  
elit@elit.ee  
  
Soots Interface OÜ  
Pärnu mnt 142  
11317 Tallinn  
Telephone number +372 609 6933  
Fax number  
info@sootsinterface.ee  
www.sootsinterface.ee
- EG Egypt**  
Standard Electric (OMEGA)  
1, Abdelhamid Badawy Street  
Heliopolis  
Cairo  
Telephone number +202 21805 111  
Fax number +202 21805600  
stdelec@rite.com
- ES Spain**  
Weidmüller, S. A.  
Narcis Monturiol 11-13, Pol.  
Ind. Sudoeste  
8960 Sant Just  
Desvern - Barcelona  
Telephone number +34 934 803 386  
Fax number +34 933 718 055  
weidmuller@weidmuller.es  
www.weidmuller.es
- FI Finland**  
Weidmüller Suomi,  
Weidmüller Aktiebolagetin  
sivuliike  
Koy Plaza Vivace  
Äyritie 8C  
FI 15100 Vantaa  
Telephone number +358 20 7351300  
Fax number +358 800 114 667  
asiakaspalvelu@weidmuller.fi  
www.weidmuller.fi
- FR France**  
Weidmüller E. U. R. L.  
2 Boulevard de l'Oise  
CS 31100 CERGY  
95095 CERGY PONTOISE  
Cedex  
Telephone number +33 1 34 24 55 00  
Fax number +33 1 34 24 55 01  
mail@weidmuller.fr
- GB Great Britain**  
Weidmüller Ltd.  
Klippon House  
Centurion Court Office Park,  
Meridian East, Meridian  
Business Park  
Leicester  
LE19 1TP  
Telephone number +44 116 282 3470  
Fax number +44 116 289 3582  
marketing@weidmuller.co.uk  
www.weidmuller.co.uk
- GE Georgia**  
Please contact  
our Representative Office  
Weidmüller Interface  
Azerbaijan.
- GH Ghana**  
Please contact  
our Representative Office  
Weidmüller Interface GmbH  
& Co. KG  
South Africa.
- GR Greece**  
G.A. Solutions  
Ippokratous 11 Metamorfsi  
144 52 Athens  
Telephone number +30 210 2823233  
Fax number +30 210 2823233  
info@weidmuller.gr  
www.weidmuller.gr
- GT Guatemala**  
Prestelectro, Prestegard  
Electro, S.A.  
Avenida Petapa 44-22,  
Zona 12  
Guatemala City  
Telephone number +502 2442-3346  
Fax number +502 2476-8945  
ventas@prestelectro.com
- HK Hong Kong**  
Weidmüller (Hong Kong)  
Limited Co. Ltd.  
Unit 1617, Metropolis Tower  
No. 10 Metropolis Drive,  
Hung Hom, Kowloon  
Telephone number +852 3154 8088  
Fax number +852 31548099  
Info-hk@weidmueller.com.hk
- HR Croatia**  
ElektroPARTNER d.o.o.  
Slavonska avenija 24/6  
HR-10000 Zagreb  
Telephone number +385 (1) 6184 793  
Fax number +385 (1) 6184 795  
elektropartner@zg.t-com.hr  
www.elektropartner.hr
- HU Hungary**  
Weidmüller Kereskedelmi Kft.  
Budapest  
Gubacsi út 6.  
1097  
Telephone number +36 1 382 7700  
Fax number +36 1 382 7701  
info@weidmueller.hu  
www.weidmueller.hu
- ID Indonesia**  
PT. Nego Electrindo  
Ruko Mega Grosir Cempaka  
Mas Blok I No. 20 - 22  
Jakarta 10640  
Telephone number +62 21 42882266  
Fax number +62 21 42882266  
sales@negoelectrindo.co.id
- IE Ireland**  
Please contact  
Weidmüller Ltd.  
Great Britain
- IL Israel**  
A. U. Shay Ltd.  
23/25, Embar Street  
49222 Petach-Tikva  
P.O. Box 1 00 49  
49222 Petach-Tikva  
Telephone number +972 3-923-3601  
Fax number +972 3-923-4601  
shay@uriel-shay.com  
www.uriel-shay.com  
ATEKA Ltd.  
4, Ha Tavor lane Industrial  
area Segula  
49691 Petach-Tikva  
P.O. Box 4710  
Petach-Tikva  
Telephone number +972 73-200-1311  
Fax number +972 3-924 4245  
marketing@ateka.co.il  
www.ateka.co.il



You can find all Weidmüller addresses and your local contact on the internet at: [www.weidmuller.com/countries](http://www.weidmuller.com/countries)

Sales company 

Representation abroad 

without representation abroad 

Let's connect.

- IN India**  
Representative Office  
Weidmüller Electronics India  
Pvt. Ltd.  
No. 9, Union Street, Off.  
Infantry Road  
BANGALORE  
560 001  
Telephone number +91-80-  
22860028  
wmi@weidmuller.in  
www.weidmuller.com
- IR Iran**  
Representative Office  
Tamin Ehtajat Fanni Tehran  
(TAF Co.)  
No. 36, West 4th St., Ettehad  
Ave. Damavand Rd.  
Tehran - 1658674583, Iran  
Telephone number +9821  
77120809  
info@taf-co.com  
http://www.taf-co.com
- IS Iceland**  
Samey Automation Center  
Lyngas 13  
210 Garoabaer  
Telephone number +354  
510 5200  
Fax number +354 5 10 5201  
Samey@samey.is  
www.samey.is
- IT Italy**  
Weidmüller S. r.l.  
Via Albert Einstein 4  
20092 Cinisello  
Balsamo Milano  
Telephone number +39 02  
680681  
Fax number +39 02  
6124945  
weidmuller@weidmuller.it  
www.weidmuller.it
- JM Jamaica**  
Please contact  
W Interconnections Inc.  
United States
- JO Jordan**  
Billeh Electricals Mat. Co.  
PO Box 4343  
Amman  
Telephone number +962 6  
4656 987  
Fax number +962 6 4649  
216
- JP Japan**  
Nihon Weidmüller Co. Ltd.  
Sphere Tower Tennoz 2-2-8  
Higashi-Shinagawa,  
Shinagawa-ku  
Tokyo  
140-0002  
Telephone number +81 3  
6711 5300  
Fax number +81 3 6711  
5333  
info@weidmuller.co.jp  
www.weidmuller.co.jp
- KE Kenya**  
Please contact  
our Representative Office  
Weidmüller Interface GmbH  
& Co. KG  
South Africa.
- KG Kyrgyzstan**  
Please contact  
our Representative Office  
Weidmüller Interface  
Azerbaijan.
- KR Korea**  
Weidmüller Korea Co. Ltd.  
9th floor  
429, Teheran-ro, Gangnam-Gu  
Seoul 135-721  
Telephone number +82  
2-516-0003  
Fax number +82 2-516-0090  
info@weidmuller.co.kr  
www.weidmuller.co.kr
- KW Kuwait**  
Kana Controls General Trading  
& Contracting Co. W. L. L.  
Al Rai Industrial Area, Plot  
28-30, St. 31  
13016 Safat  
B.P. 25593  
Telephone number +965  
4741373  
Fax number +965 4741537  
info@kanacontrols.com
- Petroleum Services Co. W.L.L.  
Kuwait Trade Free Zone Area  
P.O. Box 4098 Safat 13041
- Telephone  
number +96524610801/2/3  
ext. 208 II  
Fax number +96524613754  
psc-systems@petserv.net
- KZ Kazakhstan**  
Please contact  
Weidmüller Group  
Russia
- LB Lebanon**  
Progress Engineering &  
Trading Enterprises  
Al Nahr Street  
Beirut 11-1111  
Telephone number +961 1  
444 664  
Fax number +961 1 561 880  
progress@inco.com.lb
- LT Lithuania**  
Please contact  
our Representative Office  
Weidmüller Interface GmbH  
& Co. KG  
Latvia
- or
- ELEKTROS IRANGA  
Tinklu g. 29 a  
LT-5319 Panevezys  
Telephone number +370 (45)  
582 828  
Fax number +370 (45)  
582 727  
info@eliranga.lt
- UAB „SLO Lithuania“  
Vilkpėdės g. 4  
LT-LT-03151 Vilnius  
Telephone number +370 5  
215 00 70  
Fax number +370 5 215  
00 71  
biuras@slo.lt
- LU Luxembourg**  
Please contact  
Weidmüller Benelux B. V.  
Netherlands
- LV Latvia**  
SIA Abi4  
Daugavgrivas 49 k3  
Riga, LV-1007  
Telephone number +371 674  
70999  
Fax number  
abi\_4@tvnet.lv
- Representative Office  
Weidmüller Interface GmbH  
& Co. KG  
Udens str. 12-118  
Riga, LV-1007  
Telephone number +371  
29254766  
Fax number  
lgonis.rudaks@weidmueller.  
com  
www.weidmueller.com
- MA Morocco**  
Sofimed  
137, Bd Moulay Ismail Roches  
Noires  
20290 Casablanca  
Telephone number  
Fax number  
contact@sofimedmaroc.com
- MD Moldova**  
Inoxpa Solutions SRL  
20, Igor Vieru street  
MD-2075 Chisinau  
Moldova  
Telephone number +373 (22)  
866665  
Fax number +373 ( 22)  
866663  
atiuleanu@gmp-moldova.com  
www.gmp-moldova.com
- ME Montenegro**  
Please contact  
our Representative Office  
Weidmüller Interface GmbH  
& Co. KG  
Serbia.
- MG Madagascar**  
Please contact  
Phambili Interface  
South Africa
- MK Macedonia**  
Please contact  
our Representative Office  
Weidmüller Interface GmbH  
& Co. KG  
Serbia
- or
- ELEKTRO - SMK dooel  
UL. III Makedonska brigada  
b.b.  
1000 Skopje  
Telephone number +389  
22460295  
Fax number  
Elektro-smk@telekabel.net.mk
- MN Mongolia**  
Please contact  
our Representative Office  
Weidmüller Interface  
Azerbaijan.
- MT Malta**  
E. S. S., Electrical Supplies &  
Services Ltd.  
San Gwakkinn Road  
Mriehal
- Telephone number +356  
21255777  
Fax number +356 21255999  
robert.agius@ess.com.mt
- MU Mauritius**  
Mubelo Electrical Ltd.  
Office 26, Gateway building,  
St Jean Road  
Quatre Bornes  
Mauritius  
Telephone number +230  
4670989  
Fax number +230 4654051  
richard.mubelo@orange.mu
- MW Malawi**  
Please contact  
our Representative Office  
Weidmüller Interface GmbH  
& Co. KG  
South Africa.
- MX Mexico**  
W Interconnections S. A.  
DE C. V.  
Blvd. Hermanos Serdán 698,  
Col. San Rafael Oriente  
72029 Puebla  
Telephone number +52 (222)  
268 6227  
Fax number +52 (222) 286  
6242  
clientes@weidmuller.com.mx
- MY Malaysia**  
Connect Plus Technology  
Sdn Bhd  
No. 43, Jalan PJS 11/22,  
Bandar Sunway  
46150 Petaling Jaya  
Selangor Darul Ehsan  
Telephone number +60 3  
5633 7363  
Fax number +60 3 5633  
6562  
paul@cptech.com.my  
www.cptech.com.my
- MZ Mozambique**  
Please contact  
Phambili Interface  
South Africa
- NA Namibia**  
Please contact  
Phambili Interface  
South Africa
- NG Nigeria**  
Please contact  
Weidmüller Interface GmbH  
& Co. KG  
South Africa
- NL Netherlands**  
Weidmüller Benelux B. V.  
Franciscusweg 221  
1216 SE Hilversum  
P.O. Box 1505  
1200 BM Hilversum  
Telephone number +31 35  
626 12 61  
Fax number +31 35 623  
20 44  
info@weidmuller.nl  
www.weidmuller.nl
- NO Norway**  
Sivilingeniør J.F. Knudtzen AS  
Billingstadsetta 97  
1396 Billingstad  
PO Box 160  
1378 Nesbru  
Telephone number +47 66  
98 33 50  
Fax number +47 66 98 09 55  
firmapost@jfknudtzen.no  
www.jfknudtzen.no
- NZ New Zealand**  
Cuthbert S. Steward Ltd.  
27 Te Puni Street  
Petone  
PO Box 38496  
Wellington Mail Centre 5054  
Telephone number (04) 568  
6156  
Fax number (09) 489 1752  
csi@cuthbertstewart.co.nz
- Cuthbert S. Steward Ltd  
4 Fred Thomas Drive  
Aon Building, Ground Floor,  
South Entry  
Takapuna  
PO Box 100 338  
North Shore City 745  
Telephone number (09) 489  
1751  
Fax number (04) 568 6056  
csiak@cuthbertstewart.co.nz
- OM Oman**  
DAN INTERNATIONAL LLC.  
Ghala St. 111  
BP 2901  
Seeb  
Telephone number +968  
5036 77  
Fax number +968 5037 55  
yedu@danintl.com
- PE Peru**  
IMPEXINCA S.A.C.  
Calle Ortiz de Zevallos No.  
105, Urb. San Antonio  
18  
Lima, Miraflores  
Telephone number +51 1  
447 5608  
info@impexinca.pe  
www.impexinca.pe
- J & W CIA. S. A.  
Calle 6 Mz. D Lte. 23, Urb.  
Ind. Grimanesa  
01  
Callao  
Telephone number +51 1  
572 2539  
Fax number +51 1 572 0152  
contacto@jwcia.com  
www.jwcia.com
- PH Philippines**  
Enclosure Systems Specialists  
Inc.  
2276 Don Chino Roces  
Avenue Extension  
Room 103/105 Narra Building  
1231 Makati City  
Telephone number +63 2  
813 8580  
Fax number +63 2 813 8596  
sales\_encsys@pltdsl.net  
www.enclosuresystemsph.  
com
- PK Pakistan**  
Automation Controls (Pak)  
Apartment No. 33 C III,  
Chensab Block, Allama Iqbal  
Town  
Lahore  
Telephone number +92 42  
37809948  
Fax number +92 42  
37809950  
nadeem@acpak.com.pk  
www.acpak.com.pk
- PL Poland**  
Weidmüller Sp. z o. o.  
ul. Ogrodowa 58  
00-876 Warszawa  
Telephone number +48 22  
510 09 40  
Fax number +48 22 510  
09 41  
biuro@weidmuller.com.pl  
www.weidmuller.pl
- PR Puerto Rico**  
Please contact  
W Interconnections Inc.  
United States
- PT Portugal**  
Weidmüller Sistemas de  
Interface S. A.  
Estrada Outeiro Polima, R.  
Augusto Dias da Silva, Lote  
B - Esc. 2  
São Domingos de Rana  
2785-515 Abóboda  
Telephone number +351 214  
459 191  
Fax number +351 214  
455 871  
weidmuller@weidmuller.pt  
www.weidmuller.pt
- PY Paraguay**  
Please contact  
CPI SA  
Argentina
- QA Qatar**  
Doha Motors  
PO Box 145
- Telephone number +974  
4651441  
Fax number +974 4654579  
dmtctech@qatar.net.qa  
http://www.dohamotorsgroup.  
com/td.html
- RO Romania**  
Representative Office  
Weidmüller Interface GmbH  
& Co. KG  
Inescu Crum Street, No.  
1, 1st Tower, 1st Floor,  
Office 4  
500446 Brasov - Brasov  
Business Park  
Telephone number +40 (268)  
446 222  
Fax number +40 (268)  
446 224  
claudiu.totea@weidmueller.  
com  
www.weidmueller.ro
- RS Serbia**  
Representative Office  
Weidmüller Interface GmbH  
& Co. KG  
Ustanička 189, III sprat  
lokal 7a  
11050 Beograd  
Telephone number +381  
112885274  
Fax number +381  
112885274  
zoran.rabrenovic@  
weidmueller.com
- TeLa Elektrik d.o.o.  
Ul. Dr. Drage Ljočić 6  
Beograd  
Telephone number +381 11  
2772 415  
Fax number +381 11 2772  
850  
office@tela.rs  
www.tela.rs

# Addresses worldwide

Let's connect.

**RU Russia**  
Weidmüller Group  
7/10 Khlebozavodskiy  
Passage,  
Moskau  
115230  
Telephone number +7 495  
280 72 71  
Fax number +7 495 280  
72 71  
Info@weidmueller.ru  
www.weidmueller.ru

**SA Saudi Arabia**  
Al Abdulkarim Holding Co.  
P.O. Box 4  
Dammam 31411  
Telephone number +966 3  
8337 110  
Fax number +966 3  
8829547  
E-mail salehsk@akh.com.sa  
www.weidmueller.ae

Saudi Electric Supply  
Company (SESCO)  
P.O. Box 32 98  
Al Khobar 31952  
Telephone number +966 3  
8829546 Ext. 3030  
Fax number  
E-mail Safdar.Malik@sescogex.com  
www.sescogex.com

**SE Sweden**  
Weidmüller AB  
Axel Danielssons väg 271  
BOX 31025  
SE-200 49 Malmö  
Telephone number +46 77-  
143 00 44  
Fax number +46 40-37 48 60  
info@weidmuller.se  
www.weidmuller.se

**SG Singapore**  
Weidmüller Pte. Ltd.  
70 Bendemeer Road  
# 04-03 Luzerne Building  
Singapore 339940  
Telephone number +65 6841  
53 11  
Fax number +65 6841 5377  
info@weidmuller.com.sg  
www.weidmuller.com.sg

**SI Slovenia**  
Elektrospoji d. o. o.  
Stegne 27  
SI- 1000 Ljubljana  
Osrednjeslovenska  
Telephone number +386 1  
511 3810  
Fax number +386 1 511  
1604  
info@elektrospoji.si  
www.elektrospoji.si

**SK Slovakia**  
ELEKTRIS s.r.o.  
Elektrárenská 1  
831 04 Bratislava  
Telephone number +421  
2/4920 0113  
Fax number +421 2/4920  
0119  
bratislava@elektris.sk

**SV El Salvador**  
Prestegard Electro  
11 Avenida Norte No. 240  
Edificio Salazar No. 2  
San Salvador  
Telephone number +503  
2271 1690  
Fax number +503 2221  
3851  
prestegard@navegante.com.sv

**SY Syria**  
Please contact  
Weidmuller Middle East FZE  
United Arab Emirates

**SZ Swaziland**  
Please contact  
Phambili Interface  
South Africa

**TH Thailand**  
Pisanu Engineering Co. Ltd.  
Kwang Dingaeng, Khet  
Dingaeng  
800/2 Soi Trakulsuk, Asoke-  
dindaeng Road  
Dindaeng, Bangkok  
10400  
Telephone number +66 2  
248 2896  
Fax number +662 105 6301  
ecsales@pisanu.co.th  
www.pisanu.co.th

Representative Office  
Weidmüller Pte. Ltd.  
37/F, Sathorn Square Building  
98 North Sathorn Road  
Bangkok, Silom Bangrak  
10500  
Telephone number +66 2  
105 6300  
Fax number +66 2 642 9220  
info@weidmuller.com.sg

**TJ Tajikistan**  
Please contact  
our Representative Office  
Weidmüller Interface  
Azerbaijan.

**TM Turkmenistan**  
Please contact  
our Representative Office  
Weidmüller Interface  
Azerbaijan.

**TN Tunisia**  
Please contact  
Weidmüller E. U. R. L.  
France

**TR Turkey**  
Weidmüller Elektronik Ticaret  
Ltd. Sirketi  
Kavacik Mah. Orhan Veli Kanik  
Caddesi 9/1  
34810 Beykoz / Istanbul  
Telephone number +90 (216)  
537 10 70  
Fax number +90 (216) 537  
10 77  
info@weidmuller.com.tr  
www.weidmuller.com.tr

**TW Taiwan**  
Please contact  
Weidmuller (Hong Kong)  
Limited Co. Ltd.  
Hong Kong

**TZ Tanzania**  
Please contact  
our Representative Office  
Weidmüller Interface GmbH  
& Co. KG  
South Africa.

**UA Ukraine**  
LLC WM UKRAINE  
Levanevskogo str. 6  
Kiev  
3058  
Telephone number +38 044  
490 32 48  
Fax number  
info@wm-ua.com.ua  
wm-ua.com.ua/

Representative Office  
Weidmüller Interface GmbH  
& Co. KG  
Z. office 303  
7-D, Zdolbunivska str.  
Kiev, 2081  
Telephone number  
(mobile) +38 050 440 25 24  
info.ua@weidmueller.com

**US United States**  
W Interconnections Inc.  
821 Southlake Boulevard  
Richmond Virginia 23236  
Telephone number +1 (804)  
794-2877  
Fax number +1 (804) 379-  
2593  
info@weidmuller.com  
www.weidmuller.com

**UY Uruguay**  
REWO Uruguay S. A.  
AV. Bolivia 2001Esq  
Rocafuerte  
11300 Carrasco Montevideo  
Telephone number +598  
2604 8439  
Fax number +598 2604  
8439  
rewo@rewo Uruguay.com.uy

**UZ Republic of Uzbekistan**  
Please contact  
our Representative Office  
Weidmüller Interface  
Azerbaijan.

**VE Venezuela**  
Somerinca C. A.  
Corazon de Jesus - 3ra  
Transversal con calle el  
Carmen- Los Dos Caminos  
Caracas 1070-A  
Telephone number +58  
2122352748  
Fax number +58  
2122399341  
klocmoeller@cantv.net  
www.somerinca.com

**VN Vietnam**  
AUMI Industrial Equipment &  
Automation Company Limited  
E1, La Thanh Hotel  
218 Doi Can Street  
Lieu Giai Ward, Ba Dinh  
District  
Hanoi City  
Telephone number +84 4  
37 628601  
Fax number +84 4  
62661391  
aumi@aumi.com.vn  
www.aumi.com.vn

Representative Office  
Weidmüller Pte. Ltd.  
Level 16 Saigon Tower  
Building  
29 Le Duan Street  
District 1  
Ho Chi Minh  
Telephone number +848  
3520 7717  
Fax number +848 3520  
7604  
info@weidmuller.com.sg

**ZA South Africa**  
Phambili Interface  
PO Box 193  
1609 Johannesburg, Edenvale  
5 Bundo Road, Sebenza  
1610 Johannesburg  
Telephone number +27 (11)  
4521930  
Fax number  
info@weidmuller.co.za  
www.weidmuller.co.za

Representative Office  
Weidmüller Interface GmbH  
& Co. KG  
210 Amarand  
Avenue, Pegasus Building  
181 Pretoria, waterkloof Glen  
ext 2 -  
Telephone number +27 12  
003 2906  
Fax number +27 (11)  
4526455  
Jacques.Vosloo@weidmueller.  
com  
www.weidmueller.com

**ZM Zambia**  
Please contact  
Phambili Interface  
South Africa

**ZW Zimbabwe**  
Please contact  
Phambili Interface  
South Africa