

Network cable - NBC-FSDBP/0,4-93E/R4AC



1417934

<https://www.phoenixcontact.com/us/products/1417934>

Please be informed that the data shown in this PDF document is generated from our Online Catalog. Please find the complete data in the user documentation. Our General Terms of Use for Downloads are valid.



Network cable, degree of protection: IP20, cable length: 0.4 m, number of positions: 4, 100 Mbps, CAT5, cable outlet: straight, Ethernet

Commercial Data

Item number	1417934
Packing unit	1 pc
Minimum order quantity	1 pc
Product Key	ABNGAB
GTIN	4055626129631
Weight per Piece (including packing)	53.9 g
Weight per Piece (excluding packing)	52.8 g
Country of origin	PL

Network cable - NBC-FSDBP/0,4-93E/R4AC



1417934

<https://www.phoenixcontact.com/us/products/1417934>

Technical Data

Product properties

Product type	Data cable preassembled
Number of positions	4
No. of cable outlets	1
Shielded	yes
Cable outlet	straight

Insulation characteristics

Degree of pollution	3
---------------------	---

Electrical properties

Rated voltage (III/3)	72 V (DC)
Transmission medium	Copper

Material specifications

Flammability rating according to UL 94	V2
--	----

Connector

Insertion/withdrawal cycles	≥ 100
-----------------------------	-------

Cable / line

Cable length	0.40 m
Cable weight	43.00 kg/km
Cable type	Ethernet
Cable structure	2x2xAWG26/7; SF/UTP
External cable diameter	6.70 mm
Outer sheath, material	PUR
External sheath, color	water blue RAL 5021
Conductor material	Bare Cu litz wires
Conductor structure signal line	7x 0.16 mm
AWG signal line	26
Wire diameter incl. insulation	1 mm
Single wire, color	white-orange, white-green
Smallest bending radius, fixed installation	33.5 mm (cable, fixed installation)
Smallest bending radius, movable installation	33.5 mm (Cable, flexible installation)
Smallest bending radius, fixed installation	33.5 mm (cable, fixed installation)
Smallest bending radius, movable installation	33.5 mm (Cable, flexible installation)

Ambient conditions

Degree of protection	IP20
Degree of protection	IP20

Network cable - NBC-FSDBP/0,4-93E/R4AC

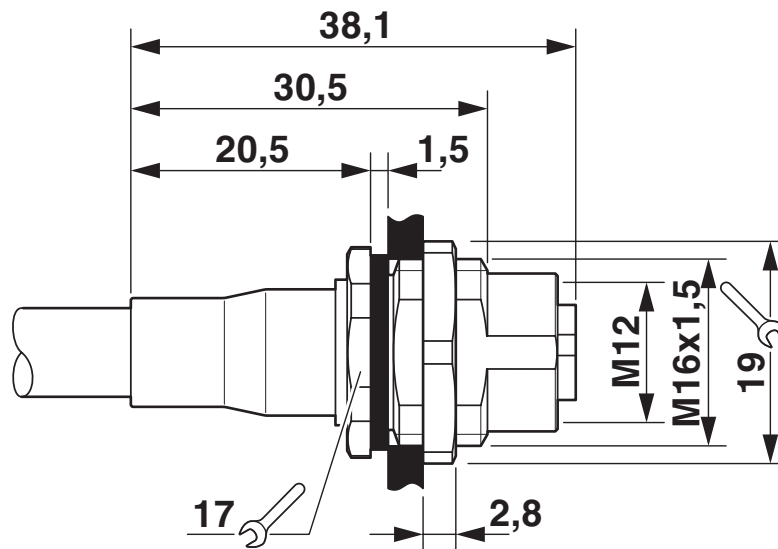


1417934

<https://www.phoenixcontact.com/us/products/1417934>

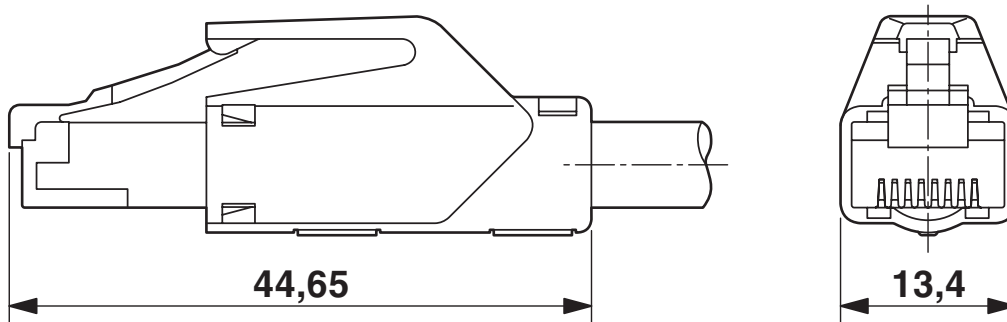
Drawings

Dimensional drawing

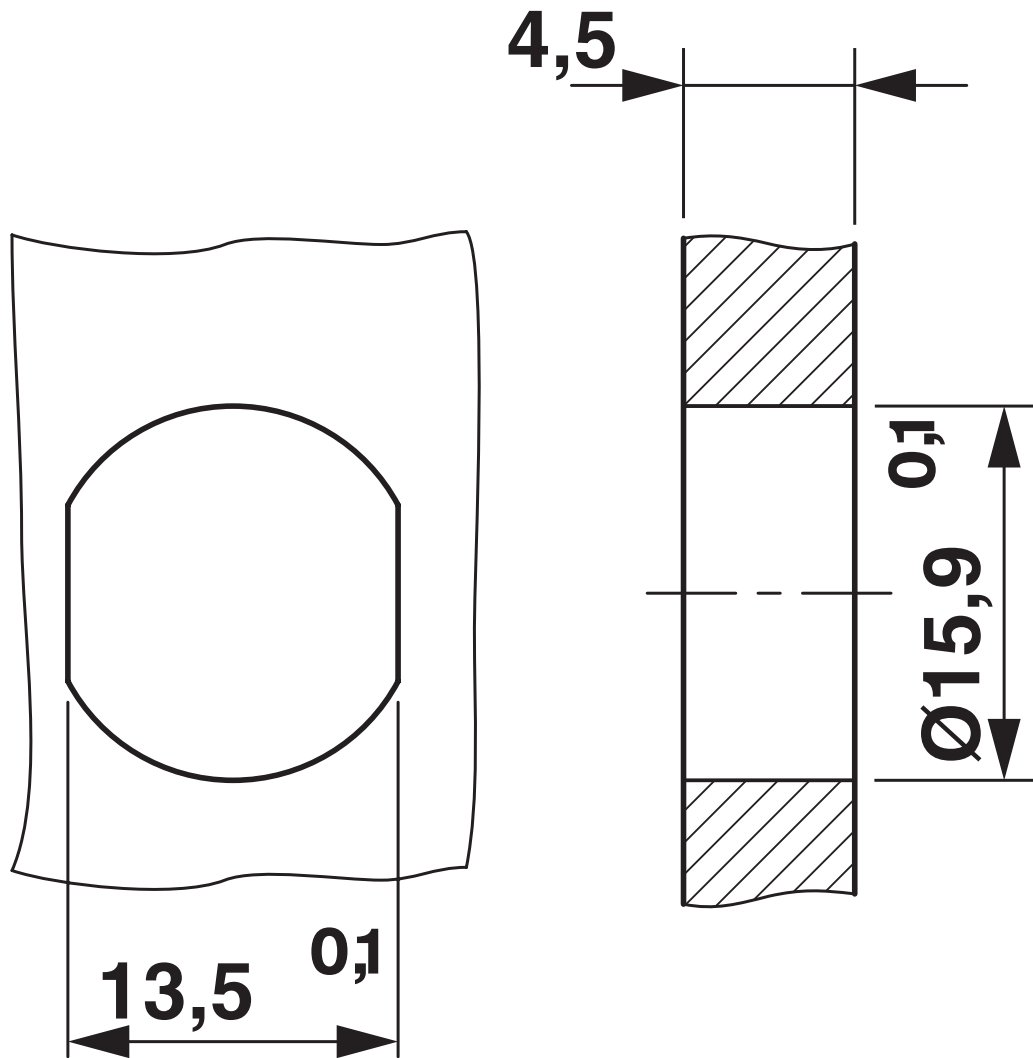


M12 flush-type connector

Dimensional drawing



Dimensional drawing



Housing cutout for M16 fastening thread, mounting panel with feed-through hole (alternatively with surface as protection against rotation)

Network cable - NBC-FSDBP/0,4-93E/R4AC



1417934

<https://www.phoenixcontact.com/us/products/1417934>

Approvals



EAC

Approval ID: 19060508



EAC

Approval ID: B.00385/20

Network cable - NBC-FSDBP/0,4-93E/R4AC



1417934

<https://www.phoenixcontact.com/us/products/1417934>

Classifications

ECLASS

ECLASS-9.0	27060308
ECLASS-10.0.1	27060308
ECLASS-11.0	27060308

ETIM

ETIM 8.0	EC002599
----------	----------

UNSPSC

UNSPSC 21.0	26121600
-------------	----------

Network cable - NBC-FSDBP/0,4-93E/R4AC



1417934

<https://www.phoenixcontact.com/us/products/1417934>

Environmental Product Compliance

REACH SVHC	Lead 7439-92-1
China RoHS	Environmentally Friendly Use Period = 50 years
	For information on hazardous substances, refer to the manufacturer's declaration available under "Downloads"

Phoenix Contact 2022 © - all rights reserved
<https://www.phoenixcontact.com>

Phoenix Contact USA
586 Fulling Mill Road
Middletown, PA 17057, United States
(+717) 944-1300
info@phoenixcon.com