

# Sensor/actuator cable - SAC-4P-M12MR/1,5-PVC/M 8FR



1415669

<https://www.phoenixcontact.com/pc/products/1415669>

Please be informed that the data shown in this PDF document is generated from our Online Catalog. Please find the complete data in the user documentation. Our General Terms of Use for Downloads are valid.



Sensor/actuator cable, 4-position, PVC, black RAL 9005, Plug angled M12, coding: A, on Socket angled M8, cable length: 1.5 m

## Your advantages

- Easy and safe: 100% electrically tested plug-in components

## Commercial Data

Item number	1415669
Packing unit	1 pc
Minimum order quantity	1 pc
Product Key	BF1CCA
Catalog Page	Page 196 (C-2-2019)
GTIN	4055626050300
Weight per Piece (including packing)	56.2 g
Weight per Piece (excluding packing)	51.3 g
Customs tariff number	85444290
Country of origin	DE

# Sensor/actuator cable - SAC-4P-M12MR/1,5-PVC/M 8FR



1415669

<https://www.phoenixcontact.com/pc/products/1415669>

## Technical Data

### Product properties

Product type	Sensor/actuator cable
Number of positions	4
Application	Standard
No. of cable outlets	1
Shielded	no
Coding	A - standard

### Insulation characteristics

Overvoltage category	II
Degree of pollution	3

### Material specifications

Flammability rating according to UL 94	HB
Sealing material	NBR
Material of grip body	TPU, hardly inflammable, self-extinguishing
Contact material	CuSn
Contact surface material	Ni/Au
Contact carrier material	TPU GF
Material for screw connection	Zinc die-cast, nickel-plated

### Electrical properties

Contact resistance	$\leq 5 \text{ m}\Omega$
Insulation resistance	$\geq 100 \text{ M}\Omega$
Nominal voltage $U_N$	48 V AC
	60 V DC
Nominal current $I_N$	4 A
Protective circuit	unwired

### Mechanical properties

#### Mechanical data

Insertion/withdrawal cycles	$\geq 100$
-----------------------------	------------

### LED signaling

Status display	No
Status display present	No

### Connector

#### Connection 1

Head design	Plug
Head cable outlet	angled

# Sensor/actuator cable - SAC-4P-M12MR/1,5-PVC/M 8FR



1415669

<https://www.phoenixcontact.com/pc/products/1415669>

Head thread type	M12
Coding	A

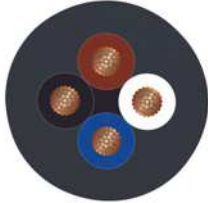
## Connection 2

Head design	Socket
Head cable outlet	angled
Head thread type	M8

## Cable / line

Cable length	1.5 m
--------------	-------

## PVC black [PVC]

Dimensional drawing	
Cable weight	40 kg/km
UL AWM Style	2464 / 1729 (80°C/300 V)
Number of positions	4
Shielded	no
Cable type	PVC black [PVC]
Conductor structure signal line	19x 0.15 mm
AWG signal line	22
Conductor cross section	4x 0.34 mm <sup>2</sup> (Signal line)
Wire diameter incl. insulation	1.26 mm ±0.05 mm
External cable diameter	4.7 mm ±0.15 mm
Outer sheath, material	PVC
External sheath, color	black RAL 9005
Conductor material	Bare Cu litz wires
Material wire insulation	PVC
Single wire, color	brown, white, blue, black
Thickness, insulation	≥ 0.23 mm (Core insulation)
Thickness, outer sheath	≥ 0.76 mm
Overall twist	4 wires, twisted
Max. conductor resistance	≤ 57 Ω/km (at 20 °C)
Insulation resistance	≥ 200 MΩ*km (at 20 °C)
Nominal voltage, cable	≤ 300 V
Test voltage	≥ 3000 V
Minimum bending radius, fixed installation	5 x D
Minimum bending radius, flexible installation	10 x D
Flame resistance	As per UL-Style 2464

# Sensor/actuator cable - SAC-4P-M12MR/1,5-PVC/M 8FR



1415669

<https://www.phoenixcontact.com/pc/products/1415669>

Resistance to oil	according to DIN EN 60811-2-1, 168 h at 60 °C
Ambient temperature (operation)	-25 °C ... 80 °C (cable, fixed installation)
	-10 °C ... 80 °C (Cable, flexible installation)

## Ambient conditions

Degree of protection	IP65
	IP67
	IP68
Ambient temperature (operation)	-25 °C ... 90 °C (Plug / socket)

## Standards and regulations

Standards/specifications	IEC 61076-2-101
Standards/specifications	IEC 61076-2-104

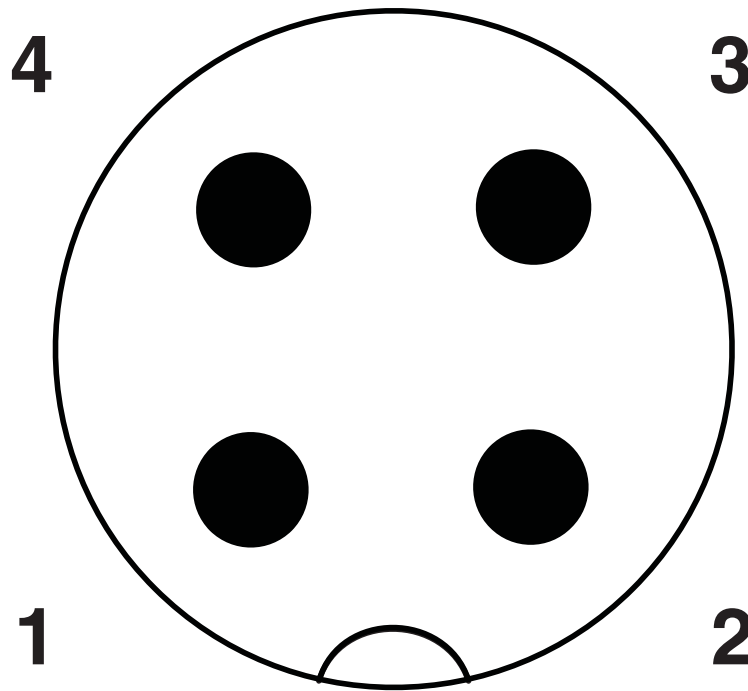
# Sensor/actuator cable - SAC-4P-M12MR/1,5-PVC/M 8FR

1415669

<https://www.phoenixcontact.com/pc/products/1415669>

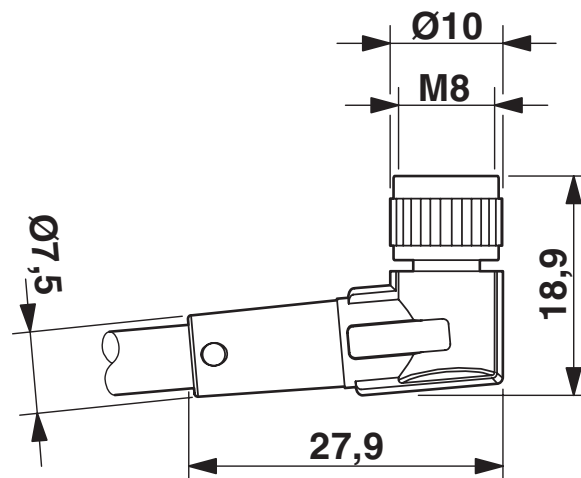
## Drawings

Schematic diagram



Pin assignment M12 plug, 4-pos., A-coded, view plug side

Dimensional drawing



Socket M8 x 1, angled

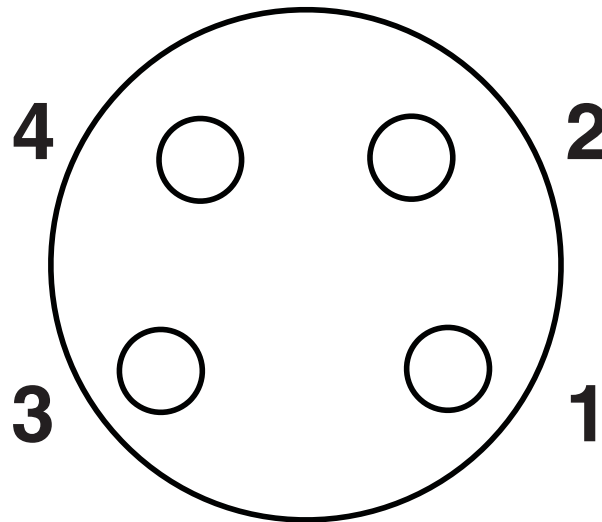
# Sensor/actuator cable - SAC-4P-M12MR/1,5-PVC/M 8FR



1415669

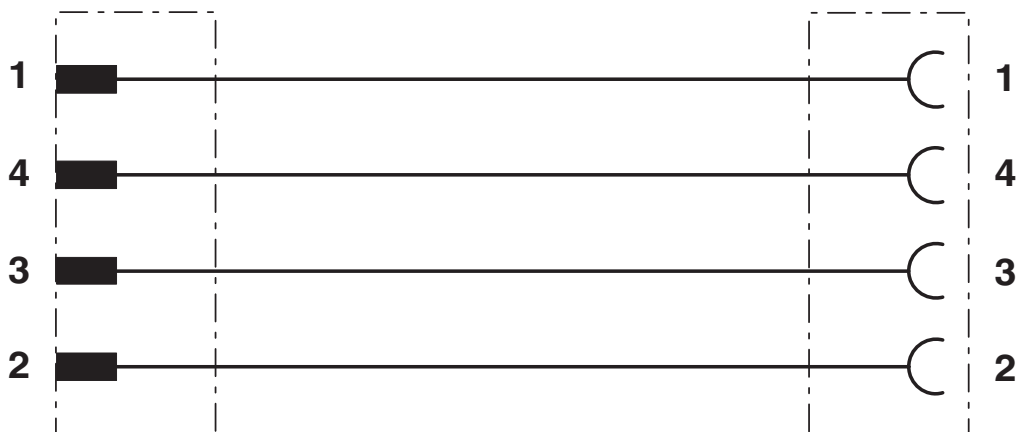
<https://www.phoenixcontact.com/pc/products/1415669>

Schematic diagram



Pin assignment M8 socket, 4-pos., view female side

Circuit diagram



# Sensor/actuator cable - SAC-4P-M12MR/1,5-PVC/M 8FR

1415669

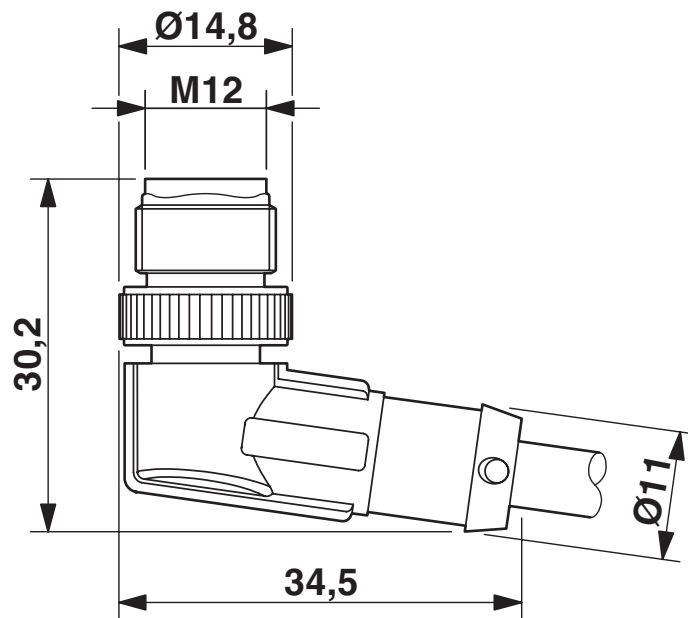
<https://www.phoenixcontact.com/pc/products/1415669>

Schematic diagram



Layout of connector pin assignments

Dimensional drawing



M12 x 1 male plug, angled

# Sensor/actuator cable - SAC-4P-M12MR/1,5-PVC/M 8FR





1415669

<https://www.phoenixcontact.com/pc/products/1415669>

## Approvals

 <b>UL Listed</b> Approval ID: FILE E 221474				
	Nominal Voltage $U_N$	Nominal Current $I_N$	Cross Section AWG	Cross Section $\text{mm}^2$
	30 V	4 A	-	-

 <b>cUL Listed</b> Approval ID: FILE E 221474				
	Nominal Voltage $U_N$	Nominal Current $I_N$	Cross Section AWG	Cross Section $\text{mm}^2$
	30 V	4 A	-	-

 <b>EAC</b> Approval ID: RU D-DE.HB35.B.00387	
---	--

<b>cULus Listed</b>
---------------------

# Sensor/actuator cable - SAC-4P-M12MR/1,5-PVC/M 8FR



1415669

<https://www.phoenixcontact.com/pc/products/1415669>

## Classifications

### ECLASS

ECLASS-9.0	27060311
ECLASS-10.0.1	27060311
ECLASS-11.0	27060311

### ETIM

ETIM 8.0	EC001855
----------	----------

### UNSPSC

UNSPSC 21.0	26121600
-------------	----------

# Sensor/actuator cable - SAC-4P-M12MR/1,5-PVC/M 8FR



1415669

<https://www.phoenixcontact.com/pc/products/1415669>

## Environmental Product Compliance

China RoHS	Environmentally friendly use period: unlimited = EFUP-e
	No hazardous substances above threshold values

# Sensor/actuator cable - SAC-4P-M12MR/1,5-PVC/M 8FR



1415669

<https://www.phoenixcontact.com/pc/products/1415669>

## Accessories

### Sealing cap

Sealing cap - PROT-M12 FS-PA-CHAIN - 1430873

<https://www.phoenixcontact.com/pc/products/1430873>

M12 sealing cap made of plastic with fixing band, for sensor cables, for free M12 plugs



---

### Locking clip

Locking clip - SAC-M12-EXCLIP-M - 1558988

<https://www.phoenixcontact.com/pc/products/1558988>

Locking clip for the pin side of sensor/actuator cables with M12 connector and M12 connectors for assembly, for knurl diameter: 15 mm or for Allen key with a wrench size of 14 mm, prevents the disconnection of plug-in connections without tools



# Sensor/actuator cable - SAC-4P-M12MR/1,5-PVC/M 8FR



1415669

<https://www.phoenixcontact.com/pc/products/1415669>

## Insert label

Insert label - PABA WH/23 - 1013779

<https://www.phoenixcontact.com/pc/products/1013779>



Insert label, Strip, white, unlabeled, can be labeled with: CMS-P1-PLOTTER, mounting type: slide-on, cable diameter range: 1.5 ... 35 mm, lettering field size: 23 x 4 mm, Number of individual labels: 20

---

## Insert label

Insert label - PABA YE/23 - 1013782

<https://www.phoenixcontact.com/pc/products/1013782>



Insert label, Strip, yellow, unlabeled, can be labeled with: CMS-P1-PLOTTER, mounting type: slide-on, cable diameter range: 1.5 ... 35 mm, lettering field size: 23 x 4 mm, Number of individual labels: 20

# Sensor/actuator cable - SAC-4P-M12MR/1,5-PVC/M 8FR



1415669

<https://www.phoenixcontact.com/pc/products/1415669>

## Marker pen

Marker pen - B-STIFT - 1051993

<https://www.phoenixcontact.com/pc/products/1051993>



Marker pen, for manual labeling of unprinted Zack strips, smear-proof and waterproof, line thickness 0.5 mm

---

## Screw plug

Screw plug - PROT-M 8 MS-PA-CHAIN - 1430860

<https://www.phoenixcontact.com/pc/products/1430860>



M8 sealing cap made of plastic with fixing band for sensor cables, for M8 sockets

# Sensor/actuator cable - SAC-4P-M12MR/1,5-PVC/M 8FR



1415669

<https://www.phoenixcontact.com/pc/products/1415669>

## Torque screwdriver

Torque screwdriver - TSD 02 SAC - 1208487

<https://www.phoenixcontact.com/pc/products/1208487>



Torque screwdriver, with preset torque of 0.2 Nm and 4 mm hexagonal drive for M8 connectors

---

## Tool

Tool - SAC BIT M8-D10 - 1208461

<https://www.phoenixcontact.com/pc/products/1208461>



Nut for assembling M8 connectors with longitudinal knurl and a knurl diameter of 10 mm, for 4 mm hexagonal drive

# Sensor/actuator cable - SAC-4P-M12MR/1,5-PVC/M 8FR



1415669

<https://www.phoenixcontact.com/pc/products/1415669>

## Torque screwdriver

Torque screwdriver - TSD 04 SAC - 1208429

<https://www.phoenixcontact.com/pc/products/1208429>



Torque screwdriver, with preset torque of 0.4 Nm and 4 mm hexagonal drive for M12 connectors

---

## Torque screwdriver

Torque screwdriver - TSD-M 1,2NM - 1212224

<https://www.phoenixcontact.com/pc/products/1212224>



Torque screw driver, accuracy as per EN ISO 6789 standard, adjustable from 0.3 - 1.2 Nm

# Sensor/actuator cable - SAC-4P-M12MR/1,5-PVC/M 8FR



1415669

<https://www.phoenixcontact.com/pc/products/1415669>

## Adapter insert

Adapter insert - TSD-M SAC-BIT ADAPTER - 1212600

<https://www.phoenixcontact.com/pc/products/1212600>



Adapter bit for TSD-M...torque tools, E6.3-1/4" drive with 4 mm hexagon to accommodate SAC bits

---

## Tool

Tool - SAC BIT M12-D15 - 1208432

<https://www.phoenixcontact.com/pc/products/1208432>



Nut for assembling sensor/actuator cables with M12 connector and M12 connectors for assembly, with a knurl diameter of 15 mm, for 4 mm hexagonal drive

---

Phoenix Contact 2022 © - all rights reserved  
<https://www.phoenixcontact.com>

PHOENIX CONTACT GmbH & Co. KG  
Flachsmarktstraße 8  
D-32825 Blomberg  
+49 (0) 5235-3 00  
[info@phoenixcontact.com](mailto:info@phoenixcontact.com)