

Sensor/actuator cable - SAC-4P-M 8MR/0,6-PVC/M 8FS



1415577

<https://www.phoenixcontact.com/pc/products/1415577>

Please be informed that the data shown in this PDF document is generated from our Online Catalog. Please find the complete data in the user documentation. Our General Terms of Use for Downloads are valid.



Sensor/actuator cable, 4-position, PVC, black RAL 9005, Plug angled M8, on Socket straight M8, cable length: 0.6 m

Your advantages

- Easy and safe: 100% electrically tested plug-in components

Commercial Data

Item number	1415577
Packing unit	1 pc
Minimum order quantity	1 pc
Product Key	BF1BCA
Catalog Page	Page 196 (C-2-2019)
GTIN	4055626049472
Weight per Piece (including packing)	24.57 g
Weight per Piece (excluding packing)	24.57 g
Customs tariff number	85444290
Country of origin	DE

Sensor/actuator cable - SAC-4P-M 8MR/0,6-PVC/M 8FS



1415577

<https://www.phoenixcontact.com/pc/products/1415577>

Technical Data

Product properties

Product type	Sensor/actuator cable
Number of positions	4
Application	Standard
No. of cable outlets	1
Shielded	no
Coding	A - standard

Insulation characteristics

Overvoltage category	II
Degree of pollution	3

Material specifications

Flammability rating according to UL 94	HB
Sealing material	NBR
Material of grip body	TPU, hardly inflammable, self-extinguishing
Contact material	CuSn
Contact surface material	Ni/Au
Contact carrier material	TPU GF
Material for screw connection	Zinc die-cast, nickel-plated

Electrical properties

Contact resistance	$\leq 5 \text{ m}\Omega$
Insulation resistance	$\leq 100 \text{ M}\Omega$
Nominal voltage U_N	48 V AC
	60 V DC
Nominal current I_N	4 A
Protective circuit	unwired

Mechanical properties

Mechanical data

Insertion/withdrawal cycles	≥ 100
-----------------------------	------------

LED signaling

Status display	No
Status display present	No

Connector

Connection 1

Head design	Plug
Head cable outlet	angled

Sensor/actuator cable - SAC-4P-M 8MR/0,6-PVC/M 8FS

1415577

<https://www.phoenixcontact.com/pc/products/1415577>

Head thread type	M8
------------------	----


Connection 2

Head design	Socket
Head cable outlet	straight
Head thread type	M8

Cable / line

Cable length	0.6 m
--------------	-------

PVC black [PVC]

Dimensional drawing	
Cable weight	33 kg/km
UL AWM Style	2464 / 1729 (80°C/300 V)
Number of positions	4
Shielded	no
Cable type	PVC black [PVC]
Conductor structure signal line	14x 0.15 mm
AWG signal line	24
Conductor cross section	4x 0.25 mm ² (Signal line)
Wire diameter incl. insulation	1.17 mm ±0.05 mm
External cable diameter	4.4 mm ±0.15 mm
Outer sheath, material	PVC
External sheath, color	black RAL 9005
Conductor material	Bare Cu litz wires
Material wire insulation	PVC
Single wire, color	brown, white, blue, black
Thickness, insulation	≥ 0.23 mm (Core insulation) ≥ 0.76 mm (Outer cable sheath)
Overall twist	4 wires, twisted
Max. conductor resistance	max. 79 Ω/km (at 20 °C)
Insulation resistance	≥ 100 MΩ*km (at 20 °C)
Nominal voltage, cable	≤ 300 V
Test voltage	≥ 3000 V
Minimum bending radius, fixed installation	5 x D
Flame resistance	As per UL-Style 2464
Resistance to oil	EN 60811-2-1
Ambient temperature (operation)	-25 °C ... 80 °C (cable, fixed installation)

Sensor/actuator cable - SAC-4P-M 8MR/0,6-PVC/M 8FS



1415577

<https://www.phoenixcontact.com/pc/products/1415577>

	-10 °C ... 80 °C (Cable, flexible installation)
--	-------------------------------------------------

Ambient conditions

Degree of protection	IP65
	IP67
	IP68
Ambient temperature (operation)	-25 °C ... 90 °C (Plug / socket)

Standards and regulations

Standards/specifications	IEC 61076-2-104
--------------------------	-----------------

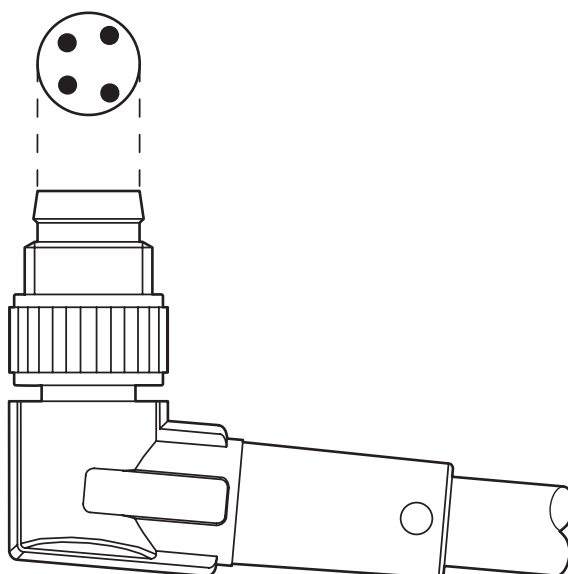
Sensor/actuator cable - SAC-4P-M 8MR/0,6-PVC/M 8FS

1415577

<https://www.phoenixcontact.com/pc/products/1415577>

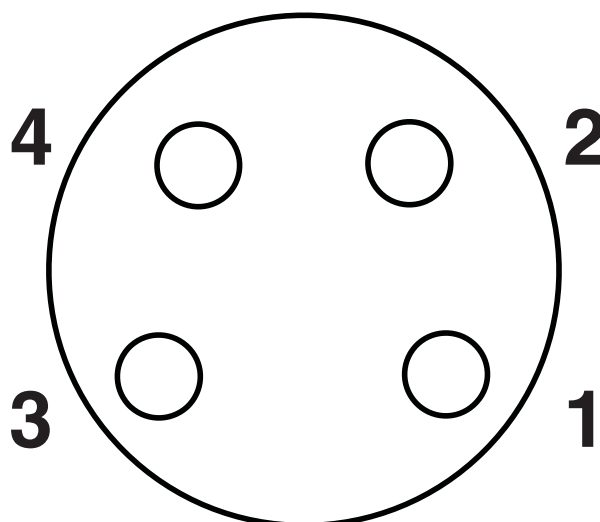
Drawings

Schematic diagram



Layout of connector pin assignments

Schematic diagram



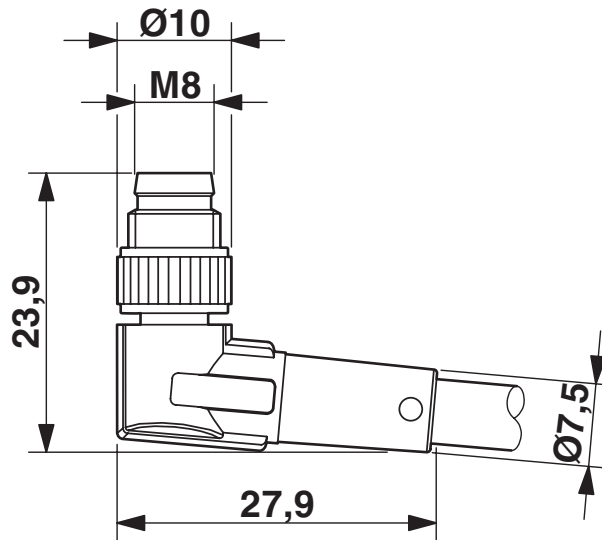
Pin assignment M8 socket, 4-pos., view female side

Sensor/actuator cable - SAC-4P-M 8MR/0,6-PVC/M 8FS

1415577

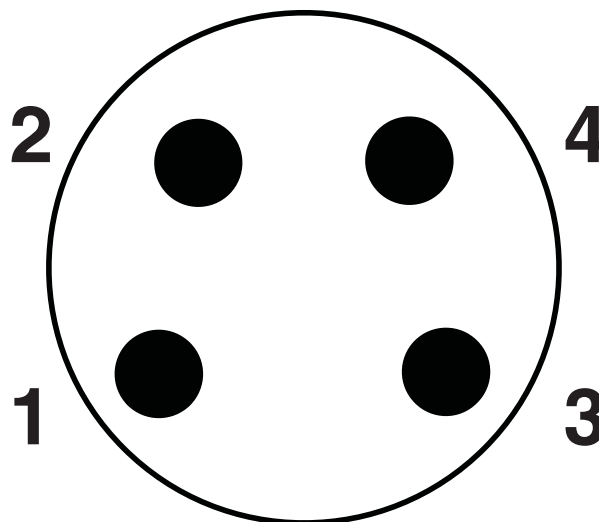
<https://www.phoenixcontact.com/pc/products/1415577>

Dimensional drawing



M8 x 1 male plug, angled version

Schematic diagram



Pin assignment M8 plug, 4-pos., view male side

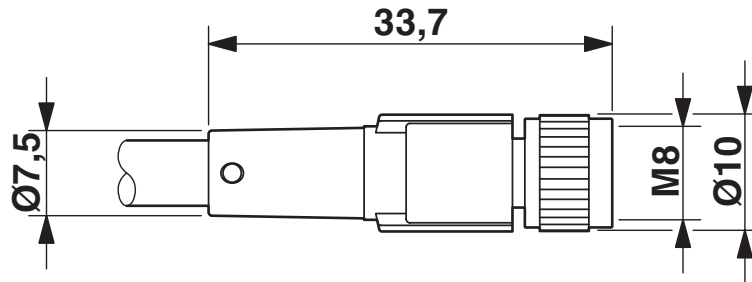
Sensor/actuator cable - SAC-4P-M 8MR/0,6-PVC/M 8FS



1415577

<https://www.phoenixcontact.com/pc/products/1415577>

Dimensional drawing



Socket M8 x 1, straight

Circuit diagram




Sensor/actuator cable - SAC-4P-M 8MR/0,6-PVC/M 8FS





1415577

<https://www.phoenixcontact.com/pc/products/1415577>

Approvals

 UL Listed Approval ID: FILE E 221474				
	Nominal Voltage U_N	Nominal Current I_N	Cross Section AWG	Cross Section mm^2
	30 V	4 A	-	-

 cUL Listed Approval ID: FILE E 221474				
	Nominal Voltage U_N	Nominal Current I_N	Cross Section AWG	Cross Section mm^2
	30 V	4 A	-	-

 EAC Approval ID: RU D-DE.HB35.B.00387	
-----------------------------------------------------------------------------------------------------------------------------------	--

cULus Listed

Sensor/actuator cable - SAC-4P-M 8MR/0,6-PVC/M 8FS



1415577

<https://www.phoenixcontact.com/pc/products/1415577>

Classifications

ECLASS

ECLASS-9.0	27060311
ECLASS-10.0.1	27060311
ECLASS-11.0	27060311

ETIM

ETIM 8.0	EC001855
----------	----------

UNSPSC

UNSPSC 21.0	26121600
-------------	----------

Sensor/actuator cable - SAC-4P-M 8MR/0,6-PVC/M 8FS



1415577

<https://www.phoenixcontact.com/pc/products/1415577>

Environmental Product Compliance

REACH SVHC	Lead 7439-92-1
China RoHS	Environmentally Friendly Use Period = 50 years
	For information on hazardous substances, refer to the manufacturer's declaration available under "Downloads"

Sensor/actuator cable - SAC-4P-M 8MR/0,6-PVC/M 8FS



1415577

<https://www.phoenixcontact.com/pc/products/1415577>

Accessories

Torque screwdriver

Torque screwdriver - TSD 02 SAC - 1208487

<https://www.phoenixcontact.com/pc/products/1208487>



Torque screwdriver, with preset torque of 0.2 Nm and 4 mm hexagonal drive for M8 connectors

Tool

Tool - SAC BIT M8-D10 - 1208461

<https://www.phoenixcontact.com/pc/products/1208461>



Nut for assembling M8 connectors with longitudinal knurl and a knurl diameter of 10 mm, for 4 mm hexagonal drive

Sensor/actuator cable - SAC-4P-M 8MR/0,6-PVC/M 8FS



1415577

<https://www.phoenixcontact.com/pc/products/1415577>

Sealing cap

Sealing cap - PROT-M 8 FS-PA-CHAIN - 1430857

<https://www.phoenixcontact.com/pc/products/1430857>

M8 sealing cap made of plastic with fixing band for sensor cables, for M8 plugs



Insert label

Insert label - PABA WH/23 - 1013779

<https://www.phoenixcontact.com/pc/products/1013779>

Insert label, Strip, white, unlabeled, can be labeled with: CMS-P1-PLOTTER, mounting type: slide-on, cable diameter range: 1.5 ... 35 mm, lettering field size: 23 x 4 mm, Number of individual labels: 20



Sensor/actuator cable - SAC-4P-M 8MR/0,6-PVC/M 8FS



1415577

<https://www.phoenixcontact.com/pc/products/1415577>

Insert label

Insert label - PABA YE/23 - 1013782

<https://www.phoenixcontact.com/pc/products/1013782>



Insert label, Strip, yellow, unlabeled, can be labeled with: CMS-P1-PLOTTER, mounting type: slide-on, cable diameter range: 1.5 ... 35 mm, lettering field size: 23 x 4 mm, Number of individual labels: 20

Marker pen

Marker pen - B-STIFT - 1051993

<https://www.phoenixcontact.com/pc/products/1051993>



Marker pen, for manual labeling of unprinted Zack strips, smear-proof and waterproof, line thickness 0.5 mm

Sensor/actuator cable - SAC-4P-M 8MR/0,6-PVC/M 8FS



1415577

<https://www.phoenixcontact.com/pc/products/1415577>

Screw plug

Screw plug - PROT-M 8 MS-PA-CHAIN - 1430860

<https://www.phoenixcontact.com/pc/products/1430860>

M8 sealing cap made of plastic with fixing band for sensor cables, for M8 sockets



Phoenix Contact 2023 © - all rights reserved

<https://www.phoenixcontact.com>

PHOENIX CONTACT GmbH & Co. KG

Flachsmarktstraße 8

D-32825 Blomberg

+49 (0) 5235-3 00

info@phoenixcontact.com