

Cable gland - G-ESISEC-M50-L68L-NEPDS-S



1415169

<https://www.phoenixcontact.com/pc/products/1415169>

Please be informed that the data shown in this PDF document is generated from our Online Catalog. Please find the complete data in the user documentation. Our General Terms of Use for Downloads are valid.



Cable gland, material for screw connection: Nickel-plated brass, application: Ex, external cable diameter 21 mm ... 35 mm, shielding: yes, connecting thread: M50 x 1.5, color: silver, with O-ring

Your advantages

- Dust protection during storage and transport provided by a dust cap.
- Weatherproof sealing material
- Halogen-free

Commercial Data

Item number	1415169
Packing unit	1 pc
Minimum order quantity	1 pc
Product Key	BF7DDX
Catalog Page	Page 651 (C-3-2019)
GTIN	4055626037981
Weight per Piece (including packing)	367.8 g
Weight per Piece (excluding packing)	367.8 g
Customs tariff number	74198090
Country of origin	DE

Cable gland - G-ESISEC-M50-L68L-NEPDS-S



1415169

<https://www.phoenixcontact.com/pc/products/1415169>

Technical Data

Mounting

Assembly instructions	Mounting the screw connection: <ul style="list-style-type: none">- Mount cable gland support- Strip outer cable sheath. Expose around 7 mm of the cable shield.- Push the outer cone over the braided shield- Push the inner cone under the shield- Insert both, together with the cable, in the mounted screw connection support- Tighten union nut with the required torque
-----------------------	--

Product properties

Product type	Full screw connection
Application	Ex
No. of conductors	1
Manufacturer	WISKA
Manufacturer Designation	EMSKE-L 50 EMV-Z
Shielded	yes

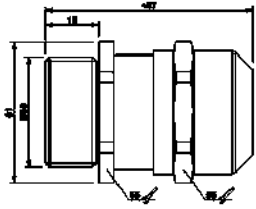
Ex data

Cable types that can be used	for unarmored cables
Suited for EX-applications	yes

Characteristics

Tightening torque	30 Nm (Support sleeve)
-------------------	------------------------

Dimensions

Dimensional drawing	
Length	57 mm
Length of the connecting thread	15 mm
Hole diameter	50.1 mm ... 50.3 mm
Wrench size, union nut	55 mm
Wrench size, support	55 mm
Hexagon angular dimension	61 mm
Thread type connection side	M50 x 1.5
Thread pitch	1.5 mm

Material specifications

Cable gland - G-ESISEC-M50-L68L-NEPDS-S



1415169

<https://www.phoenixcontact.com/pc/products/1415169>

Color	silver
Sealing material	EPDM
Material, insert	PA
Material for screw connection	Nickel-plated brass

Cable / line

External cable diameter	21 mm ... 35 mm
Tightening torque, union nut	30.00 Nm

Environmental and real-life conditions

Ambient conditions

Degree of protection	IP66
	IP68 (5 bar / 0.5 h)
Ambient temperature (operation)	-40 °C ... 75 °C (static)

Approval data

ATEX	II 2 G/D EEx e II IP68
IECEX	Ex e IIC Gb, Ex tb IIIC Db

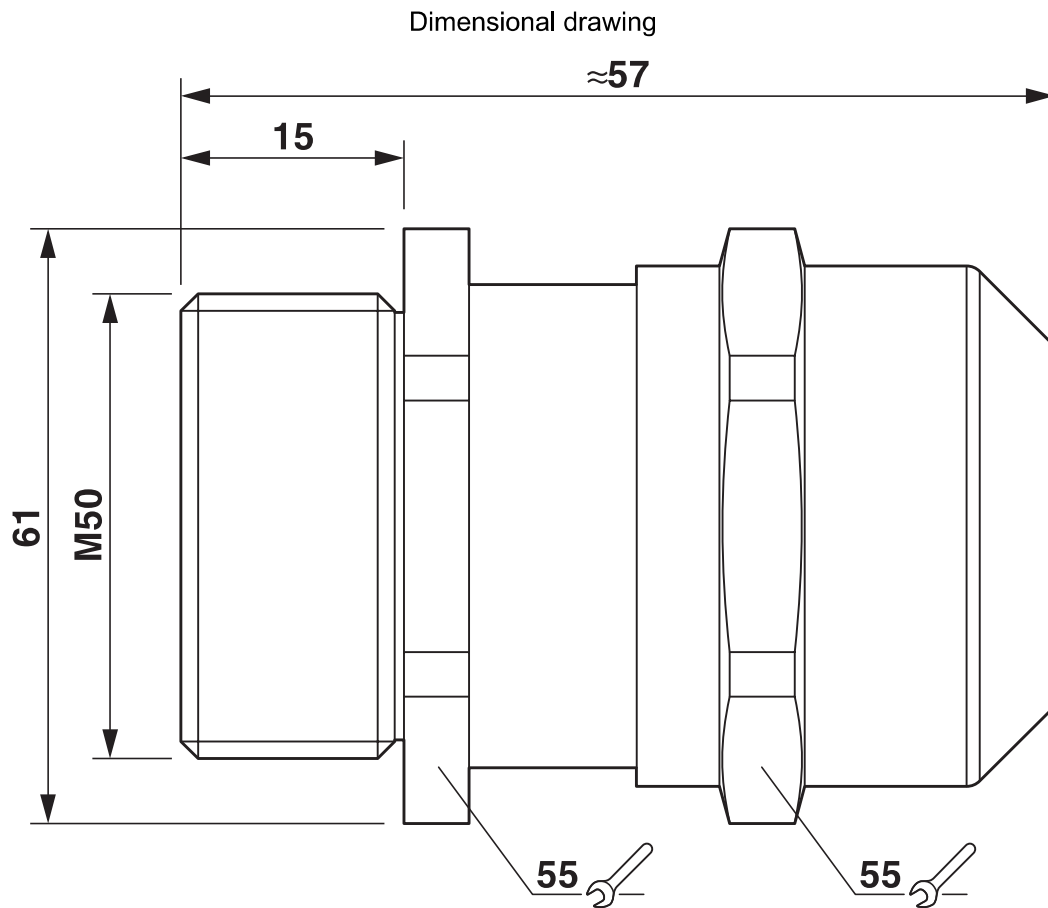
Cable gland - G-ESISEC-M50-L68L-NEPDS-S



1415169

<https://www.phoenixcontact.com/pc/products/1415169>

Drawings



Cable gland - G-ESISEC-M50-L68L-NEPDS-S



1415169

<https://www.phoenixcontact.com/pc/products/1415169>

Approvals

 cUL Recognized Approval ID: E179850				
	Nominal Voltage U_N	Nominal Current I_N	Cross Section AWG	Cross Section mm^2
External reference			-	-

 UL Recognized Approval ID: E179850				
	Nominal Voltage U_N	Nominal Current I_N	Cross Section AWG	Cross Section mm^2
External reference			-	-

 EAC Ex Approval ID: RU C-DE,HA67.B.00120				
	Nominal Voltage U_N	Nominal Current I_N	Cross Section AWG	Cross Section mm^2
External reference			-	-

 GL Approval ID: 20259-04 HH				
	Nominal Voltage U_N	Nominal Current I_N	Cross Section AWG	Cross Section mm^2
External reference			-	-

 IECEx Approval ID: IECEx PTB 13.0027X				
	Nominal Voltage U_N	Nominal Current I_N	Cross Section AWG	Cross Section mm^2
External reference			-	-

 ATEX Approval ID: PTB 04 ATEX 1112 X				
	Nominal Voltage U_N	Nominal Current I_N	Cross Section AWG	Cross Section mm^2
External reference			-	-

cULus Recognized				
-------------------------	--	--	--	--

Cable gland - G-ESISEC-M50-L68L-NEPDS-S



1415169

<https://www.phoenixcontact.com/pc/products/1415169>

Classifications

ECLASS

ECLASS-9.0	27144432
ECLASS-10.0.1	27144432
ECLASS-11.0	27144432

ETIM

ETIM 8.0	EC000441
----------	----------

UNSPSC

UNSPSC 21.0	39121300
-------------	----------

Cable gland - G-ESISEC-M50-L68L-NEPDS-S



1415169

<https://www.phoenixcontact.com/pc/products/1415169>

Environmental Product Compliance

REACH SVHC	Lead 7439-92-1
China RoHS	Environmentally Friendly Use Period = 50 years
	For information on hazardous substances, refer to the manufacturer's declaration available under "Downloads"